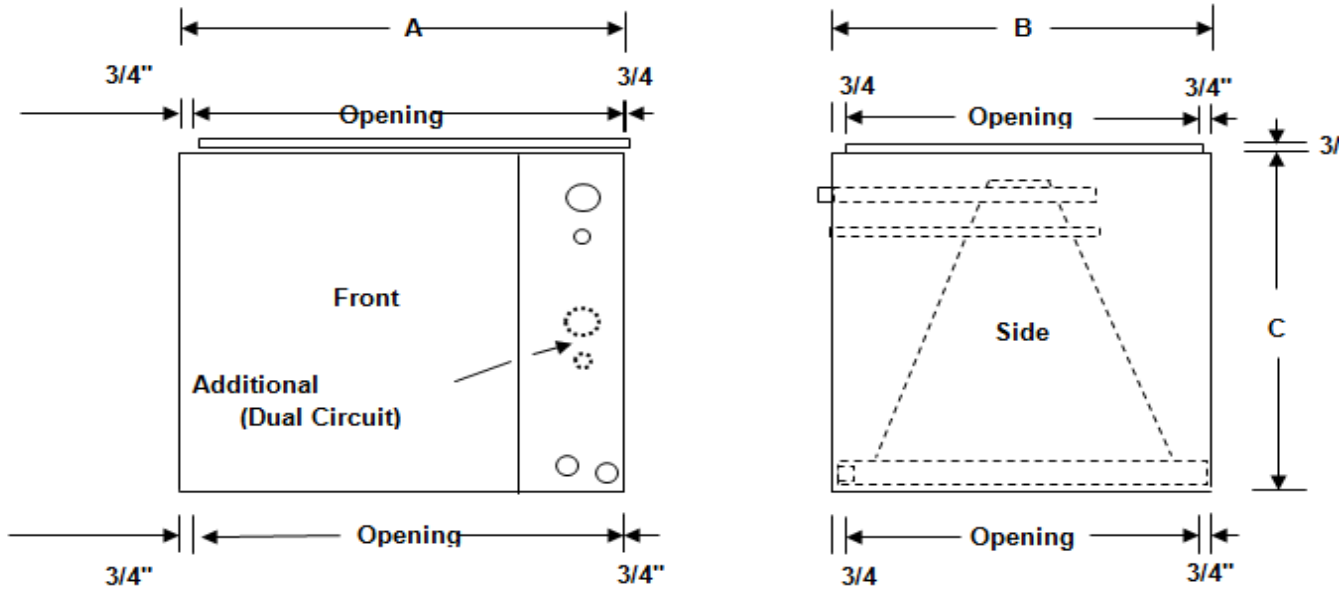


Commercial "DX" Vertical A-Coils Cased



Model Size	Width A	Depth B	Height C	Face Area	Fins Per Inch	Tube O.D.	Suction O.D.	Liquid O.D.	Refrigerant Circuits
CCDXA-072-*	29"	21"	20-1/4"	6.67	10	1/2"	7/8"	1/2"	Single
CCDXA-072D-*	29"	21"	20-1/4"	6.67	10	1/2"	(2) 7/8"	(2) 1/2"	Dual
CCDXA-090-*	45"	21"	20-1/4"	8.89	10	1/2"	1-3/8"	5/8"	Single
CCDXA-090D-*	45"	21"	20-1/4"	8.89	10	1/2"	(2) 1-3/8"	(2) 5/8"	Dual
CCDXA-120-*	53"	21"	23-1/4"	11.25	10	1/2"	1-3/8"	5/8"	Single
CCDXA-120D-*	53"	21"	23-1/4"	11.25	10	1/2"	(2) 1-3/8"	(2) 5/8"	Dual
CCDXA-150-*	53"	21"	23-1/4"	11.25	10	1/2"	1-3/8"	5/8"	Single
CCDXA-150D-*	53"	21"	23-1/4"	11.25	10	1/2"	(2) 1-3/8"	(2) 5/8"	Dual
CCDXA-180-*	68"	21"	23-1/4"	18.75	10	1/2"	1-5/8"	5/8"	Single
CCDXA-180D-*	68"	21"	23-1/4"	18.75	10	1/2"	(2) 1-5/8"	(2) 5/8"	Dual
CCDXA-240-*	68"	21"	25-1/4"	20.83	10	1/2"	1-5/8"	5/8"	Single
CCDXA-240D-*	68"	21"	25-1/4"	20.83	10	1/2"	(2) 1-5/8"	(2) 5/8"	Dual

NOTE: ADD -2 FOR R-22 TXV AND -4 FOR R-410 TXV WHEN ORDERING

Standard Features:

- U.L. Listed
- Fully Insulated Cabinet
- Removable Split Front Panels
- 20 Gauge Embossed Galvanized Cabinets
- Right Hand Connections and Drains
- Factory Installed TXV
- Coils tested at 500 PSI, Sealed and Pressurized with Nitrogen
- Stainless Steel Drain Pan

Optional Features:

- Dual Circuiting
- Check Valve Kit (Heat Pump Operation)

Commercial "DX R-410A" Vertical A-Coils Cased (Cont.)

15 Ton W/4 Row DX R-410A Coil						15 Ton W/4 Row DX R-410A Coil						15 Ton W/4 Row DX R-410A Coil					
85° F EDB / 71° F EWB						80° F EDB / 67° F EWB						71° F EDB / 64° F EWB					
CFM	Suct Temp.	APD FV	Total Cap	Sens Cap	LA Temp. DB °F WB °F	CFM	Suct Temp.	APD FV	Total Cap	Sens Cap	LA Temp. DB °F WB °F	CFM	Suct Temp.	APD FV	Total Cap	Sens Cap	LA Temp. DB °F WB °F
5000	35 °F	0.16	350,703	198,624	48.7 47.6	5000	35 °F	0.16	298,240	178,762	47.3 46.1	5000	35 °F	0.16	260,014	138,396	45.7 44.9
	40 °F		309,422	176,839	52.7 50.9		40 °F		255,831	157,191	51.3 49.5		40 °F		218,408	119,174	49.2 48.4
	45 °F		264,620	157,191	56.3 54.6		45 °F		210,424	137,542	54.8 52.9		45 °F		174,542	99,953	52.7 51.9
	50 °F		215,246	137,542	59.8 57.8		50 °F		163,654	117,893	58.4 56.4		50 °F		127,464	78,937	56.6 55.4
6000	35 °F	0.21	397,053	222,971	50.9 49.6	6000	35 °F	0.21	336,568	202,981	49.5 47.6	6000	35 °F	0.21	291,870	158,694	46.8 46.1
	40 °F		350,052	202,981	54.1 52.5		40 °F		289,320	180,428	52.5 50.7		40 °F		245,380	136,653	50.2 49.5
	45 °F		298,513	180,428	57.5 55.8		45 °F		236,488	157,874	55.9 53.9		45 °F		196,650	111,947	53.9 52.7
	50 °F		240,738	157,874	60.9 58.8		50 °F		183,574	135,321	59.4 57.1		50 °F		142,744	90,419	57.2 55.9
7000	35 °F	0.28	438,936	248,173	52.6 50.8	7000	35 °F	0.28	369,257	226,047	50.5 48.8	7000	35 °F	0.28	323,410	176,532	47.9 47.3
	40 °F		383,995	226,047	55.5 53.7		40 °F		317,292	200,931	53.8 51.7		40 °F		270,843	148,306	51.6 50.3
	45 °F		327,091	200,931	58.8 56.6		45 °F		260,571	175,814	56.9 54.9		45 °F		214,533	124,386	54.8 53.4
	50 °F		264,277	175,814	61.9 59.7		50 °F		200,758	150,698	60.3 57.8		50 °F		157,095	100,465	57.9 56.5

20 Ton W/4 Row DX R-410A Coil						20 Ton W/4 Row DX R-410A Coil						20 Ton W/4 Row DX R-410A Coil					
85° F EDB / 71° F EWB						80° F EDB / 67° F EWB						71° F EDB / 64° F EWB					
CFM	Suct Temp.	APD FV	Total Cap	Sens Cap	LA Temp. DB °F WB °F	CFM	Suct Temp.	APD FV	Total Cap	Sens Cap	LA Temp. DB °F WB °F	CFM	Suct Temp.	APD FV	Total Cap	Sens Cap	LA Temp. DB °F WB °F
7000	35 °F	0.23	455,679	257,143	51.4 50.1	7000	35 °F	0.23	384,955	231,429	49.8 47.9	7000	35 °F	0.23	337,135	180,838	47.4 46.6
	40 °F		401,399	231,429	54.8 52.9		40 °F		331,526	205,715	53.1 51.1		40 °F		281,485	155,721	50.7 49.8
	45 °F		341,802	205,715	58.1 56.1		45 °F		271,175	180,000	56.5 54.3		45 °F		225,308	130,605	53.9 52.9
	50 °F		276,685	180,000	61.5 59.1		50 °F		209,980	157,874	59.4 57.3		50 °F		163,613	105,489	57.2 56.1
8000	35 °F	0.30	495,438	283,627	52.6 50.9	8000	35 °F	0.30	418,401	252,188	51.2 49.2	8000	35 °F	0.30	364,992	196,830	48.5 47.6
	40 °F		433,184	252,188	56.2 53.9		40 °F		356,870	229,635	53.8 51.8		40 °F		306,464	169,493	51.6 50.6
	45 °F		369,418	229,635	58.8 56.8		45 °F		294,478	200,931	56.9 54.9		45 °F		242,089	142,155	54.8 53.5
	50 °F		299,747	200,931	61.9 59.8		50 °F		226,286	172,226	60.3 57.9		50 °F		176,502	114,818	57.9 56.6
9000	35 °F	0.37	532,885	307,547	53.8 52.1	9000	35 °F	0.37	446,704	276,792	51.9 49.9	9000	35 °F	0.37	391,178	210,362	49.6 48.5
	40 °F		464,487	273,332	57.2 55.1		40 °F		383,750	246,038	54.9 52.7		40 °F		329,598	181,145	52.6 51.3
	45 °F		395,400	246,038	60.1 57.7		45 °F		314,706	215,283	58.1 55.4		45 °F		258,769	151,928	55.6 54.1
	50 °F		319,280	215,283	63.1 60.4		50 °F		241,309	184,528	61.3 58.4		50 °F		189,054	122,711	58.5 57.1

Commercial "DX R-22" Vertical A-Coils Cased (Cont.)

15 Ton W/4 Row DX R-22 Coil							15 Ton W/4 Row DX R-22 Coil							15 Ton W/4 Row DX R-22 Coil						
85° F EDB / 71° F EWB							80° F EDB / 67° F EWB							71° F EDB / 64° F EWB						
CFM	Suct Temp.	APD FV	Total Cap	Sens Cap	LA Temp.		CFM	Suct Temp.	APD FV	Total Cap	Sens Cap	LA Temp.		CFM	Suct Temp.	APD FV	Total Cap	Sens Cap	LA Temp.	
					DB °F	WB °F						DB °F	WB °F						DB °F	WB °F
5000	35 °F	0.16	329,707	187,945	50.6	49.8	5000	35 °F	0.16	276,690	169,151	49.1	47.8	5000	35 °F	0.16	240,756	132,245	46.8	46.3
	40 °F		287,232	169,151	54.1	52.7		40 °F		235,975	150,356	52.5	50.9		40 °F		200,543	111,229	50.7	49.8
	45 °F		242,289	150,356	57.5	56.2		45 °F		192,393	131,562	55.9	54.3		45 °F		158,628	93,289	53.9	53.2
	50 °F		195,837	131,562	60.9	59.3		50 °F		147,389	115,330	58.9	57.5		50 °F		113,742	75,349	57.2	56.3
6000	35 °F	0.21	369,683	212,720	52.6	51.2	6000	35 °F	0.21	309,332	193,755	50.5	49.3	6000	35 °F	0.21	270,663	147,623	48.5	47.9
	40 °F		319,566	189,141	56.2	54.3		40 °F		263,818	172,226	53.8	52.3		40 °F		224,874	127,119	51.6	51.1
	45 °F		270,835	172,226	58.8	57.4		45 °F		215,016	150,698	57.0	55.4		45 °F		176,561	106,616	54.8	54.0
	50 °F		216,096	150,698	62.0	60.1		50 °F		164,123	129,170	60.3	58.3		50 °F		126,319	86,113	57.9	56.9
7000	35 °F	0.28	405,660	233,223	54.5	52.7	7000	35 °F	0.28	340,409	215,283	51.9	50.5	7000	35 °F	0.28	294,797	163,615	49.6	49.1
	40 °F		350,004	209,901	57.6	55.5		40 °F		287,812	191,363	55.0	53.4		40 °F		245,054	140,891	52.6	51.8
	45 °F		294,755	186,578	60.6	58.4		45 °F		232,951	167,442	58.1	56.2		45 °F		191,647	118,166	55.6	54.6
	50 °F		234,814	167,442	63.1	61.0		50 °F		177,762	147,110	60.8	58.8		50 °F		137,546	95,442	58.5	57.4
20 Ton W/4 Row DX R-22 Coil							20 Ton W/4 Row DX R-22 Coil							20 Ton W/4 Row DX R-22 Coil						
85° F EDB / 71° F EWB							80° F EDB / 67° F EWB							71° F EDB / 64° F EWB						
CFM	Suct Temp.	APD FV	Total Cap	Sens Cap	LA Temp.		CFM	Suct Temp.	APD FV	Total Cap	Sens Cap	LA Temp.		CFM	Suct Temp.	APD FV	Total Cap	Sens Cap	LA Temp.	
					DB °F	WB °F						DB °F	WB °F						DB °F	WB °F
7000	35 °F	0.25	423,122	245,183	53.0	51.7	7000	35 °F	0.25	354,692	220,665	51.2	49.6	7000	35 °F	0.25	309,009	167,921	49.1	48.3
	40 °F		365,721	220,665	56.2	54.7		40 °F		301,128	196,147	54.4	52.7		40 °F		257,031	144,598	52.1	51.3
	45 °F		309,212	196,147	59.4	57.7		45 °F		244,420	175,814	57.0	55.6		45 °F		202,027	121,276	55.2	54.2
	50 °F		247,689	171,628	62.6	60.4		50 °F		186,006	150,698	60.3	58.5		50 °F		141,023	95,442	58.5	57.2
8000	35 °F	0.31	456,072	266,541	54.5	52.7	8000	35 °F	0.31	383,722	239,887	52.6	50.6	8000	35 °F	0.31	334,509	182,068	50.2	49.3
	40 °F		394,945	239,887	57.6	55.7		40 °F		323,463	213,233	55.6	53.5		40 °F		276,932	156,781	53.1	52.0
	45 °F		332,955	213,233	60.6	58.5		45 °F		261,816	191,363	58.1	56.3		45 °F		216,024	131,493	56.0	54.8
	50 °F		265,196	191,363	63.1	61.2		50 °F		200,281	164,025	61.3	58.9		50 °F		152,090	109,077	58.5	57.6
9000	35 °F	0.36	487,617	284,481	56.1	54.0	9000	35 °F	0.36	410,218	262,953	53.3	51.5	9000	35 °F	0.36	358,073	193,755	51.3	50.0
	40 °F		422,857	259,493	58.6	56.5		40 °F		345,227	233,736	56.3	54.4		40 °F		294,485	171,611	53.6	52.8
	45 °F		353,470	233,736	61.3	59.2		45 °F		279,028	204,519	59.2	56.9		45 °F		230,301	143,932	56.4	55.4
	50 °F		281,116	204,519	64.2	61.9		50 °F		213,211	179,915	61.7	59.3		50 °F		162,074	116,253	59.2	58.0