

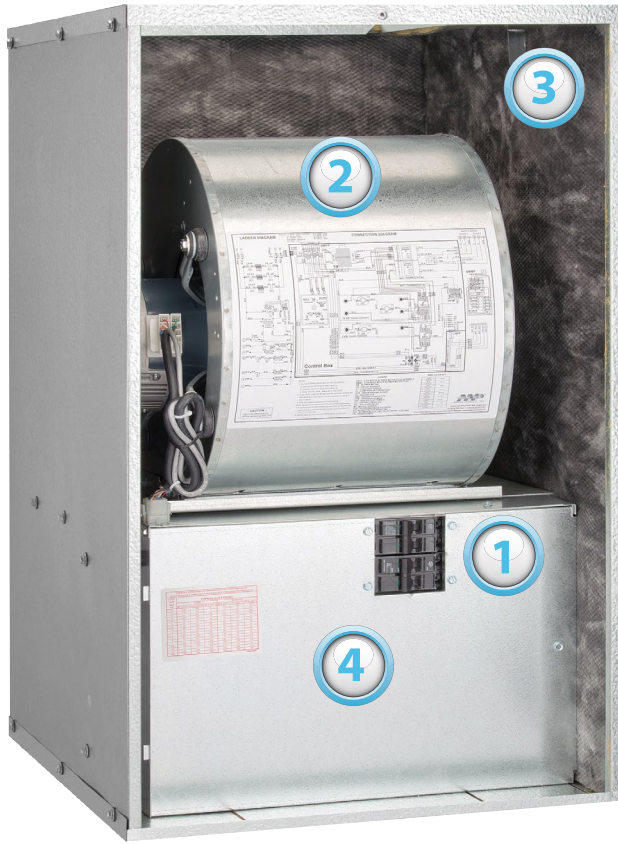


**SHOWN WITH
OPTIONAL
COIL CABINET**

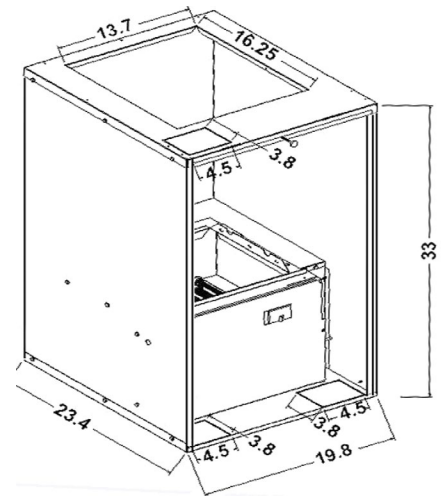
E-30 Manufactured Housing Electric Furnace

Furnace Features

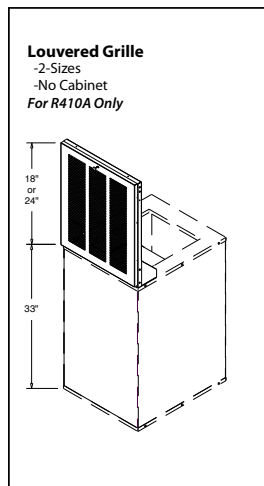
- Heat capacities from 6-20kW-fit all needs
- Blower options to fit every airflow requirement
 - FER Compliant Constant torque ECM
 - 4 options—1/3, 1/2, 3/4 , 3/4 HP enhanced blower for 5 ton applications
- Convertible-easily converted from downflow to upflow
- A/C and H/P adaptable from 2-5 tons-see blower options
- Built in coil shelf-no need for additional parts
- Designed and labeled for installation only in Mobile Home applications
- Fully insulated cabinet and door for quiet, efficient operation
- Zero clearance to combustible materials
- Circuit breakers—no fuses to replace!
- Heavy duty Nichrome heating elements
- Optional coil cabinets for all upflow and downflow applications
- Optional ductwork connections for all applications
- Industry exclusive 5 year warranty on serviceable parts!
- Required products meet UL 60335-2-40 4th edition



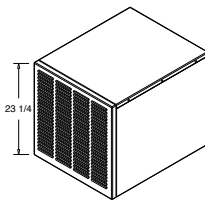
- ① Circuit Breakers— No Fuses to Replace
- ② Multiple Blower Options Constant Torque ECM
- ③ Fully Insulated Cabinet and Door
- ④ Heat Capacities from 6-20 kW



Mortex E30 Optional Cabinets/Grilles
A2L Refrigerants Must Use a Complete Coil Cabinet
Standard Disposable Type Filter

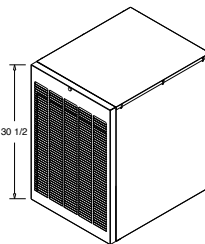


97-F**B-21 *



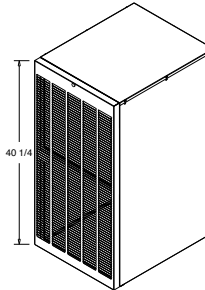
- Options:**
-Broken Down
- Cabinet Tops**
-Open W/Filter
-Solid
- Cabinet Doors**
-Louvered W/ Filter
-Solid

97-F**B-27 *



- Options:**
-Broken Down
- Cabinet Tops**
-Open W/Filter
-Solid
- Cabinet Doors**
-Louvered W/ Filter
-Solid

97-F**B-39 *



- Options:**
-Broken Down
- Cabinet Tops**
-Open W/Filter
-Solid
- Cabinet Doors**
-Louvered W/ Filter
-Solid

* Model # Shown is Broken Down and Must Be Assembled in the Field
** See Tech Guide for Top and Door Options

