



**SHOWN
WITH
OPTIONAL
COIL
CABINET**

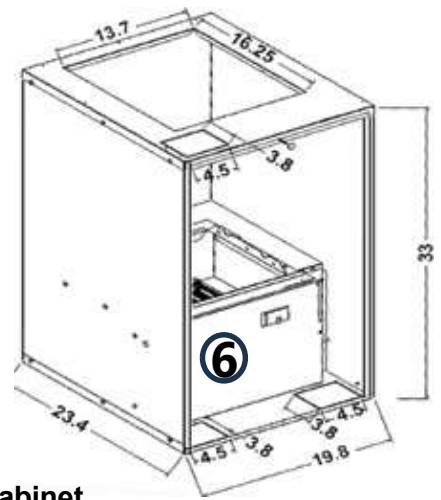
E-30 Manufactured Housing Electric Furnace

Furnace Features

- Blower options to fit every airflow requirement
- FER compliant constant torque 5 speed blower motor
- 3 options—1/3, 1/2, 3/4 HP blower for 1.5-ton to 4-ton applications
- 4th option is a 1.0 HP 5 speed blower motor available for 5 Ton applications
- Convertible—easily converted from downflow to upflow
- A/C and H/P adaptable from 2-5 tons - see blower options
- Built in coil shelf—no need for additional parts
- Standard disposable—type air filter
- Designed and labeled for installation only in Mobile Home applications
- Fully insulated cabinet and door for quiet, efficient operation
- Zero clearance to combustible materials
- Circuit breakers located in L1 and L2 supply circuits
- 24 VAC 3A fuse in low voltage circuit
- Heavy duty Nichrome heating elements
- Optional coil cabinets for all up flow and downflow applications
- Optional ductwork connections for all applications
- Industry exclusive 5 year warranty on serviceable parts!
- Required products meet UL 60335-2-40 4th edition
- Heat Capacities from 6kW to 20kW



- ① L1 and L2 Supply Circuit Breakers
- ② 24 VAC 3A Fuse in secondary circuit
- ③ 5 Speed Options on Constant Torque Blower Motors
- ④ Fully Insulated Cabinet and Door
- ⑤ Standard Disposable Filter
- ⑥ Heat Capacities from 6-20 kW



Mortex E30 Optional Cabinets/Grilles
A2L Refrigerants Must Use a Complete Coil Cabinet

	97-F**B-21 *	97-F**B-27 *	97-F**B-39 *
<p>Louvered Grille Assembly:</p> <ul style="list-style-type: none"> - 2 Sizes – 18" or 24" Tall - Approved Refrigerants: - R410A for Replacement Only - R32 and R454B 	<p>Options:</p> <ul style="list-style-type: none"> - Field Assembled - Factory Assembled <p>Cabinet Tops</p> <ul style="list-style-type: none"> - Open W/Filter - Closed Top <p>Cabinet Doors</p> <ul style="list-style-type: none"> - White Louvered W/Filter - Solid White Door 	<p>Options:</p> <ul style="list-style-type: none"> - Field Assembled - Factory Assembled <p>Cabinet Tops</p> <ul style="list-style-type: none"> - Open W/Filter - Closed Top <p>Cabinet Doors</p> <ul style="list-style-type: none"> - Solid White Door 	<p>Options:</p> <ul style="list-style-type: none"> - Field Assembled - Factory Assembled <p>Cabinet Tops</p> <ul style="list-style-type: none"> - Open W/Filter - Closed Top <p>Cabinet Doors</p> <ul style="list-style-type: none"> - Solid White Door

* Model # Shown is Broken Down and Must Be Assembled in the Field
** See Tech Guide for Top and Door Options

