

CD Series™

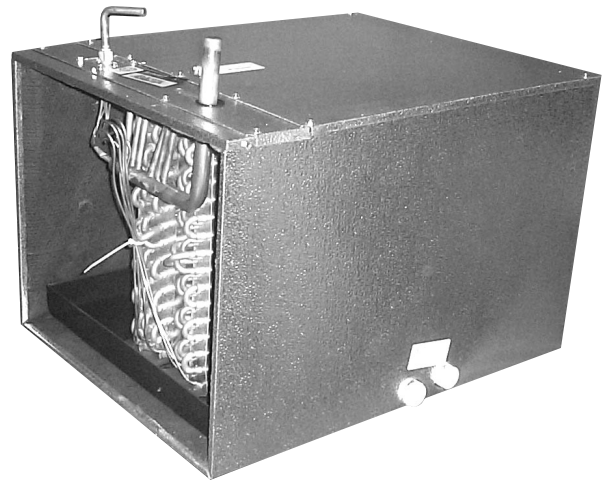
Dedicated Horizontal Cased Coil shown with Quick Plenum™ (QP Series)™

Features of CD Series™ Coil:

- Bi-Directional Air Flow Not Required Due to Dual Drain Connections on Each Side and External Top Mounted Piston/Orifice Connection.
- Vacuum Formed High Impact UL Approved PVC Pan

Features of QP Series™ Plenum:

- Quick Installation - Pop-up Hinged Design
- Quickly Attaches to Coil Cabinet
- Cut Holes and Attach Starting Collars
- Shipped 6 Per Carton



| Evaporator Coil Model | Evap. Coil Cabinet Model | Quick Plenum Model | QP Series Quick Plenum Outside Dim. (IN) | | | CD Series Coil Cabinet Outside Dim. (IN) | | | CD Series Coil Supply Openings (IN) | |
|--------------------------|-----------------------------|-----------------------|---|------|------|---|------|------|--|------|
| | | | A | B | C | D | E | F | G | H |
| CD0XXA82G | DA1-22.5 | QPA1-24 | 14.000 | 24.0 | 21.0 | 14.000 | 22.5 | 21.0 | 20.5 | 12.5 |
| CD0XXA82G | DA1-22.5 | QPA1-30 | 14.000 | 30.0 | 21.0 | 14.000 | 22.5 | 21.0 | 20.5 | 12.5 |
| CD0XXA86G | DA1-22.5 | QPA1-24 | 14.000 | 24.0 | 21.0 | 14.000 | 22.5 | 21.0 | 20.5 | 12.5 |
| CD0XXA86G | DA1-22.5 | QPA1-30 | 14.000 | 30.0 | 21.0 | 14.000 | 22.5 | 21.0 | 20.5 | 12.5 |
| CD0XXA52G | DA1-26.5 | QPA1-24 | 14.000 | 24.0 | 21.0 | 14.000 | 26.5 | 21.0 | 20.5 | 12.5 |
| CD0XXA52G | DA1-26.5 | QPA1-30 | 14.000 | 30.0 | 21.0 | 14.000 | 26.5 | 21.0 | 20.5 | 12.5 |
| CD0XXA56G | DA1-26.5 | QPA1-24 | 14.000 | 24.0 | 21.0 | 14.000 | 26.5 | 21.0 | 20.5 | 12.5 |
| CD0XXA56G | DA1-26.5 | QPA1-30 | 14.000 | 30.0 | 21.0 | 14.000 | 26.5 | 21.0 | 20.5 | 12.5 |
| CD0XXA59G | DA1-26.5 | QPA1-24 | 14.000 | 24.0 | 21.0 | 14.000 | 26.5 | 21.0 | 20.5 | 12.5 |
| CD0XXA59G | DA1-26.5 | QPA1-30 | 14.000 | 30.0 | 21.0 | 14.000 | 26.5 | 21.0 | 20.5 | 12.5 |
| CD0XXA822 | DA-22.5 | QPA-24 | 14.500 | 24.0 | 21.0 | 14.500 | 22.5 | 21.0 | 20.5 | 13.0 |
| CD0XXA822 | DA-22.5 | QPA-30 | 14.500 | 30.0 | 21.0 | 14.500 | 22.5 | 21.0 | 20.5 | 13.0 |
| CD0XXA862 | DA-22.5 | QPA-24 | 14.500 | 24.0 | 21.0 | 14.500 | 22.5 | 21.0 | 20.5 | 13.0 |
| CD0XXA862 | DA-22.5 | QPA-30 | 14.500 | 30.0 | 21.0 | 14.500 | 22.5 | 21.0 | 20.5 | 13.0 |
| CD0XXA892 | DA-22.5 | QPA-24 | 14.500 | 24.0 | 21.0 | 14.500 | 22.5 | 21.0 | 20.5 | 13.0 |
| CD0XXA892 | DA-22.5 | QPA-30 | 14.500 | 30.0 | 21.0 | 14.500 | 22.5 | 21.0 | 20.5 | 13.0 |
| CD0XXA522 | DA-26.5 | QPA-24 | 14.500 | 24.0 | 21.0 | 14.500 | 26.5 | 21.0 | 20.5 | 13.0 |
| CD0XXA522 | DA-26.5 | QPA-30 | 14.500 | 30.0 | 21.0 | 14.500 | 26.5 | 21.0 | 20.5 | 13.0 |
| CD0XXA562 | DA-26.5 | QPA-24 | 14.500 | 24.0 | 21.0 | 14.500 | 26.5 | 21.0 | 20.5 | 13.0 |
| CD0XXA562 | DA-26.5 | QPA-30 | 14.500 | 30.0 | 21.0 | 14.500 | 26.5 | 21.0 | 20.5 | 13.0 |
| CD0XXA592 | DA-26.5 | QPA-24 | 14.500 | 24.0 | 21.0 | 14.500 | 26.5 | 21.0 | 20.5 | 13.0 |
| CD0XXA592 | DA-26.5 | QPA-30 | 14.500 | 30.0 | 21.0 | 14.500 | 26.5 | 21.0 | 20.5 | 13.0 |
| CD0XXA82E | DB-22.5 | QPB-24 | 15.500 | 24.0 | 21.0 | 15.500 | 22.5 | 21.0 | 20.5 | 14.0 |
| CD0XXA82E | DB-22.5 | QPB-30 | 15.500 | 30.0 | 21.0 | 15.500 | 22.5 | 21.0 | 20.5 | 14.0 |
| CD0XXA86E | DB-22.5 | QPB-24 | 15.500 | 24.0 | 21.0 | 15.500 | 22.5 | 21.0 | 20.5 | 14.0 |
| CD0XXA86E | DB-22.5 | QPB-30 | 15.500 | 30.0 | 21.0 | 15.500 | 22.5 | 21.0 | 20.5 | 14.0 |
| CD0XXA52E | DB-26.5 | QPB-24 | 15.500 | 24.0 | 21.0 | 15.500 | 26.5 | 21.0 | 20.5 | 14.0 |
| CD0XXA52E | DB-26.5 | QPB-30 | 15.500 | 30.0 | 21.0 | 15.500 | 26.5 | 21.0 | 20.5 | 14.0 |
| CD0XXA56E | DB-26.5 | QPB-24 | 15.500 | 24.0 | 21.0 | 15.500 | 26.5 | 21.0 | 20.5 | 14.0 |
| CD0XXA56E | DB-26.5 | QPB-30 | 15.500 | 30.0 | 21.0 | 15.500 | 26.5 | 21.0 | 20.5 | 14.0 |
| CD0XXA59E | DB-26.5 | QPB-24 | 15.500 | 24.0 | 21.0 | 15.500 | 26.5 | 21.0 | 20.5 | 14.0 |
| CD0XXA59E | DB-26.5 | QPB-30 | 15.500 | 30.0 | 21.0 | 15.500 | 26.5 | 21.0 | 20.5 | 14.0 |

All Technical Specifications Subject to Change Without Notice.

Cont. on next page



For more information contact
Customer Service at
(817) 624-0820 or your
Summit Representative.



Air Conditioning



Heat Pump

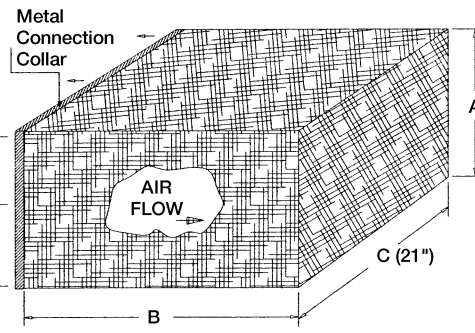
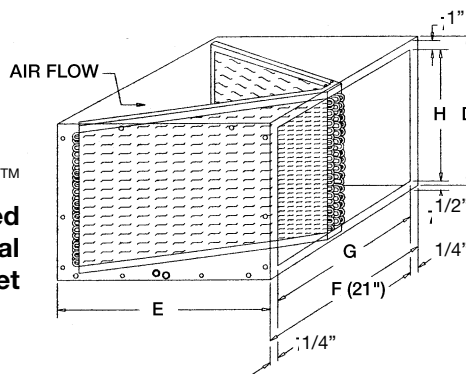


Associate Member



FRONT Spec.CD-010101

CD Series™
Dedicated
Horizontal
A-Coil Cabinet



QP Series™
Duct Board
Plenum Section
Patent Pending

Features of CD Series™ Coil:

- Bi-Directional Air Flow Not Required Due to Dual Drain Connections on Each Side and External Top Mounted Piston/Orifice Connection.
- Vacuum Formed High Impact UL Approved PVC Pan

Features of QP Series™ Plenum:

- Quick Installation - Pop-up Hinged Design
- Quickly Attaches to Coil Cabinet
- Cut Holes and Attach Starting Collars
- Shipped 6 Per Carton

| Evaporator Coil Model | Evap. Coil Cabinet Model | Quick Plenum Model | QP Series Quick Plenum Outside Dim. (IN) | | | CD Series Coil Cabinet Outside Dim. (IN) | | | CD Series Coil Supply Openings (IN) | |
|--------------------------|-----------------------------|-----------------------|---|------|------|---|------|------|--|--------|
| | | | A | B | C | D | E | F | G | H |
| CD0XXA823 | DB1-22.5 | QPB1-24 | 16.500 | 24.0 | 21.0 | 16.500 | 22.5 | 21.0 | 20.5 | 15.000 |
| CD0XXA823 | DB1-22.5 | QPB1-30 | 16.500 | 30.0 | 21.0 | 16.500 | 22.5 | 21.0 | 20.5 | 15.000 |
| CD0XXA863 | DB1-22.5 | QPB1-24 | 16.500 | 24.0 | 21.0 | 16.500 | 22.5 | 21.0 | 20.5 | 15.000 |
| CD0XXA863 | DB1-22.5 | QPB1-30 | 16.500 | 30.0 | 21.0 | 16.500 | 22.5 | 21.0 | 20.5 | 15.000 |
| CD0XXA523 | DB1-26.5 | QPB1-24 | 16.500 | 24.0 | 21.0 | 16.500 | 26.5 | 21.0 | 20.5 | 15.000 |
| CD0XXA523 | DB1-26.5 | QPB1-30 | 16.500 | 30.0 | 21.0 | 16.500 | 26.5 | 21.0 | 20.5 | 15.000 |
| CD0XXA563 | DB1-26.5 | QPB1-24 | 16.500 | 24.0 | 21.0 | 16.500 | 26.5 | 21.0 | 20.5 | 15.000 |
| CD0XXA563 | DB1-26.5 | QPB1-30 | 16.500 | 30.0 | 21.0 | 16.500 | 26.5 | 21.0 | 20.5 | 15.000 |
| CD0XXA593 | DB1-26.5 | QPB1-24 | 16.500 | 24.0 | 21.0 | 16.500 | 26.5 | 21.0 | 20.5 | 15.000 |
| CD0XXA593 | DB1-26.5 | QPB1-30 | 16.500 | 30.0 | 21.0 | 16.500 | 26.5 | 21.0 | 20.5 | 15.000 |
| CD0XXA82C | DC-22.5 | QPC-24 | 17.500 | 24.0 | 21.0 | 17.500 | 22.5 | 21.0 | 20.5 | 16.000 |
| CD0XXA82C | DC-22.5 | QPC-30 | 17.500 | 30.0 | 21.0 | 17.500 | 22.5 | 21.0 | 20.5 | 16.000 |
| CD0XXA86C | DC-22.5 | QPC-24 | 17.500 | 24.0 | 21.0 | 17.500 | 22.5 | 21.0 | 20.5 | 16.000 |
| CD0XXA86C | DC-22.5 | QPC-30 | 17.500 | 30.0 | 21.0 | 17.500 | 22.5 | 21.0 | 20.5 | 16.000 |
| CD0XXA52C | DC-26.5 | QPC-24 | 17.500 | 24.0 | 21.0 | 17.500 | 26.5 | 21.0 | 20.5 | 16.000 |
| CD0XXA52C | DC-26.5 | QPC-30 | 17.500 | 30.0 | 21.0 | 17.500 | 26.5 | 21.0 | 20.5 | 16.000 |
| CD0XXA56C | DC-26.5 | QPC-24 | 17.500 | 24.0 | 21.0 | 17.500 | 26.5 | 21.0 | 20.5 | 16.000 |
| CD0XXA56C | DC-26.5 | QPC-30 | 17.500 | 30.0 | 21.0 | 17.500 | 26.5 | 21.0 | 20.5 | 16.000 |
| CD0XXA59C | DC-26.5 | QPC-24 | 17.500 | 24.0 | 21.0 | 17.500 | 26.5 | 21.0 | 20.5 | 16.000 |
| CD0XXA59C | DC-26.5 | QPC-30 | 17.500 | 30.0 | 21.0 | 17.500 | 26.5 | 21.0 | 20.5 | 16.000 |
| CD0XXA86F | DD-22.5 | QPD-30 | 19.125 | 30.0 | 21.0 | 19.125 | 22.5 | 21.0 | 20.5 | 17.625 |
| CD0XXA89F | DD-22.5 | QPD-30 | 19.125 | 30.0 | 21.0 | 19.125 | 22.5 | 21.0 | 20.5 | 17.625 |
| CD0XXA52F | DD-26.5 | QPD-30 | 19.125 | 30.0 | 21.0 | 19.125 | 26.5 | 21.0 | 20.5 | 17.625 |
| CD0XXA56F | DD-26.5 | QPD-30 | 19.125 | 30.0 | 21.0 | 19.125 | 26.5 | 21.0 | 20.5 | 17.625 |
| CD0XXA59F | DD-26.5 | QPD-30 | 19.125 | 30.0 | 21.0 | 19.125 | 26.5 | 21.0 | 20.5 | 17.625 |
| CD0XXA565 | DE1-26.5 | QPE1-30 | 20.500 | 30.0 | 21.0 | 20.500 | 26.5 | 21.0 | 20.5 | 19.000 |
| CD0XXA595 | DE1-26.5 | QPE1-30 | 20.500 | 30.0 | 21.0 | 20.500 | 26.5 | 21.0 | 20.5 | 19.000 |
| CD0XXA86D | DE-22.5 | QPE-30 | 21.000 | 30.0 | 21.0 | 21.000 | 22.5 | 21.0 | 20.5 | 19.500 |
| CD0XXA56D | DE-26.5 | QPE-30 | 21.000 | 30.0 | 21.0 | 21.000 | 26.5 | 21.0 | 20.5 | 19.500 |
| CD0XXA59D | DE-26.5 | QPE-30 | 21.000 | 30.0 | 21.0 | 21.000 | 26.5 | 21.0 | 20.5 | 19.500 |
| CD0XXA566 | DF-26.5 | QPF-30 | 22.750 | 30.0 | 21.0 | 22.750 | 26.5 | 21.0 | 20.5 | 21.250 |
| CD0XXA596 | DF-26.5 | QPF-30 | 22.750 | 30.0 | 21.0 | 22.750 | 26.5 | 21.0 | 20.5 | 21.250 |
| CD0XXA867 | DG-22.5 | QPG-30 | 24.500 | 30.0 | 21.0 | 24.500 | 22.5 | 21.0 | 20.5 | 23.000 |
| CD0XXA567 | DG-26.5 | QPG-30 | 24.500 | 30.0 | 21.0 | 24.500 | 26.5 | 21.0 | 20.5 | 23.000 |
| CD0XXA597 | DG-26.5 | QPG-30 | 24.500 | 30.0 | 21.0 | 24.500 | 26.5 | 21.0 | 20.5 | 23.000 |

All Technical Specifications Subject to Change Without Notice.



For more information contact
Customer Service at
(817) 624-0820 or your
Summit Representative.

BACK Spec.CD-010101



Air Conditioning



Heat Pump



Associate Member

