



Summit CH Series Horizontal "Slab" Coil

STANDARD SPECIFICATIONS

- Fits many existing horizontal furnaces and plenums..
- AHRI certified applications for AC and heat pump systems.
- UL listed and factory leak tested at 500 psi.
- Factory-installed TXV.
- Top mounted sweat refrigerant lines for ease of installation and service.
- Built-in plastic horizontal drain pan.
- 3/4" Drain connections on both sides of coil for multiple installation options.
- 1" foil backed faced fiberglass duct-board for collar connections.
- Rigid galvanized steel construction for long life durability.
- R-32 and R-454B models equipped with refrigerant leak detection and mitigation system.
- Bi-directional refrigerant circuiting for HP Operation.
- Vacuum formed high impact UL approved PVC drain pans.
- Schrader ports for pressure verification.

Summit CH Series Horizontal "Slab" Coil

Description:

The CH cased horizontal slab coil series is designed as a high efficiency horizontal coil to be installed on new and existing horizontal gas furnaces. It can also be installed in multi-position furnaces in horizontal position.

The CH series can be AHRI rated with many outdoor unit brands to provide a capacity range from 18,000 to 60,000 BTU/HR. These coils may be used in horizontal applications with transitions to the furnace. These coils are approved for use in the US and Canada.

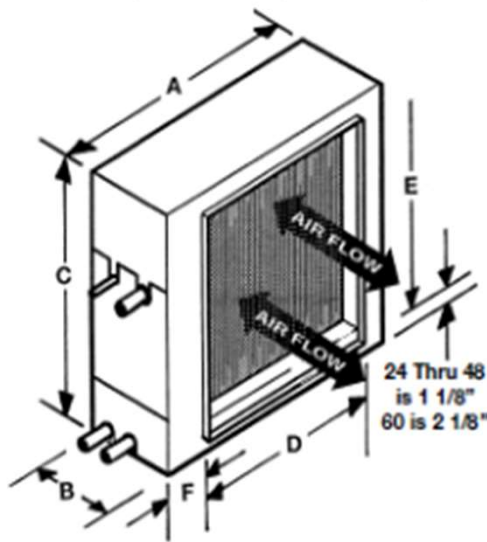


Features:

- Dedicated Horizontal Design
- Up to 60k BTU's Of Cooling
- Heavy Gauge Steel Cabinet
- Coils are AHRI Rated
- Equipped with Refrigerant Leak Detection System and TXV for R-32 or R-454

Physical Dimensions

Model No.	A	B	C	D	E	F
CH018S346	22.25	7	23.5	15.375	21	5.5
CH024S346	22.25	7	23.5	15.375	21	5.5
CH018S566	25.25	7	23.5	18.375	21	5.5
CH024S566	25.25	7	23.5	18.375	21	5.5
CH036S566	25.25	7	23.5	18.375	21	5.5
CH024S766	28.25	7	23.5	21.375	21	5.5
CH030S766	28.25	7	23.5	21.375	21	5.5
CH036S766	28.25	7	23.5	21.375	21	5.5
CH042SA66	35	7	23.5	28.125	21	5.5
CH048SA66	35	7	23.5	28.125	21	5.5
CH042SA96	35	7	23.5	28.125	21	5.5
CH048SA96	35	7	23.5	28.125	21	5.5
CH060SA96	35	7	23.5	28.125	21	5.5
CH042SB67	37.25	7	25.5	30.375	21	5.5
CH048SB67	37.25	7	25.5	30.375	21	5.5
CH060SB67	37.25	7	25.5	30.375	21	5.5
CH042SB97	37.25	7	25.5	30.375	21	5.5
CH048SB97	37.25	7	25.5	30.375	21	5.5
CH060SB97	37.25	7	25.5	30.375	21	5.5



Refrigerant Connections

Tons	Liquid	Suction
1.5-3	3/8	3/4
3.5-5	3/8	7/8

