

Description:

These air handling units are designed for multiposition applications

MODEL	CFM	TONS DX	TONS CW	Type Htg	Volt/Ph
B/S40	800-1200	N/A	N/A	Electric	208/230/1
B/S14	1600-2000	N/A	N/A	Electric	208/230/1
B/S41	800-1200	1.5-3.0	N/A	Electric	208/230/1
B/S15	1600-2000	3.0-5.0	N/A	Electric	208/230/1
H40	800-1200	N/A	N/A	Electric	115/1
H14	1600-2000	N/A	N/A	Electric	115/1
H41	800-1200	1.5-3.0	N/A	Electric	115/1
H15	1600-2000	3.0-5.0	N/A	Electric	115/1
24,36CWA2	800-1200	N/A	2.0-3.0	Electric	208/230/1
48,60CWA2	1600-2000	N/A	4.0-5.0	Electric	208/230/1
24,36CWA2	800-1200	N/A	2.0-3.0	Electric	115/1
48,60CWA2	1600-2000	N/A	4.0-5.0	Electric	115/1

Note: All B/S40,14 Units are Heating only (Add-on coil available)

For cooling requirements these air handlers are designed to accept an evaporator coil matched with most brands of CU & HP

Standard Features:

- * Upflow, horizontal (right to Left)
- * Drain pans are manufactured of durable, non corrosive plastic and meet ASHRAE standards for IAQ. Pans are "dry" thus holding minimum water
- * Drain pans have primary and secondary drains for either left or right hand connections.
- * Cabinet is heavy gauge embossed galvanized steel substrate, with front and top pannels pre-painted a durable neutral gray.
- * All units are equipped with factory installed time delay relay as standard.
- * All units have 1" foil faced insulation.
- * All units unclude a 1" trou away filter.
- * All electric units are 208/230/1/60; All hydronic units are 115/1/60
- * Standard units with 12 KW electric heat or larger have factory installed circuit breaker (UL Requirement). All units 10 KW or smaller may be ordered with or without circuit breaker option.
- * All units are suitable for "0" clearance to combustibile materials.
- * All electric heat units are field convertible to dowflow with factory conversion kit
- * Blower assembly slides out for easy maintenance.
- * Refrigeration coil connections are swaged and then factory sealed with copper caps to maintain holding charge.
- * All hydronic units unclude compressor lockout switch.

Factory Installed options:

- * R-22 or R-410A Thermostatic expansion valve,suitable for Heat Pump applications
- * Circuit Breaker on electric heat models 10 KW and smaller
- * Pump Timer for hydronic units
- * Deduct for removing hot water circulating pump for boiler loop applications

All Technical Information Subject To Change Without Notice



B15 unit Shown



H15 Unit Shown



B14 Unit Shown



PRODUCT NOMENCLATURE AIR HANDLER

	B	15	55	10	A	1	B	C
TYPE	<p>B- With circuit breaker S- Without circuit breaker H- Hot water heat</p>							
SERIES								
<p>(14)- 21-1/2" W X 25"D x 30" H (15)- 21-1/2" W X 25"D x 49-3/4" H (40)- 17-1/2" W X 20"D x 27-5/8" H (41)- 17-1/2" W X 21"D x 39-3/4" H (02)- Wall Mount 1.5-2.5 Ton (02)- Wall Mount 1.5-2.5 Ton</p>								
BLOWER	<p>(34) - 1/3 HP - 208/240/1 - 10X7 (37) - 1/3 HP - 115/1 - 10X7 (42) - 1/3 HP - 208/240/1 - 10X7 (B/S 03) (45) - 1/4 HP - 208/240/1 - 10X6 (46) - 1/4 HP - 115/1 - 10X6 (49) - 1/3 HP - 115/1 - 10X8 (51) - 3/4 HP - 208/240/1 - 11X9 (52) - 3/4 HP - 115/1 - 11X9 (53) - 3/4 HP - 115/1 - 11X11 (55) - 1/3 HP - 208/240/1 - 10X8 (55) - 1/3 HP - 115/1 - 10X7</p>							
HEATING CAPACITY								
<p>(10) - Indicates KW Electric Heating B/S Models Only (26) - Indicates BTUH Hot Water Heating H Models Only</p>								
UNIT VOLTAGE								
<p>A - 115 Volts Single Phase (H) Models Only B - 208/240 Volts Single Phase (B/S) Models Only</p>								
TIME DELAY RELAY								
<p>1 - With Time Delay Relay TDR 0 - Without Time Delay Relay TDR</p>								
INSULATION								
<p>A - 1/2" Insulation B - 1" Insulation</p>								
VERSION								
<p>C - Current (Plastic Drain Pans)</p>								

All Technical Information Subject To Change Without Notice



PRODUCT NOMENCLATURE EVAPORATOR COIL

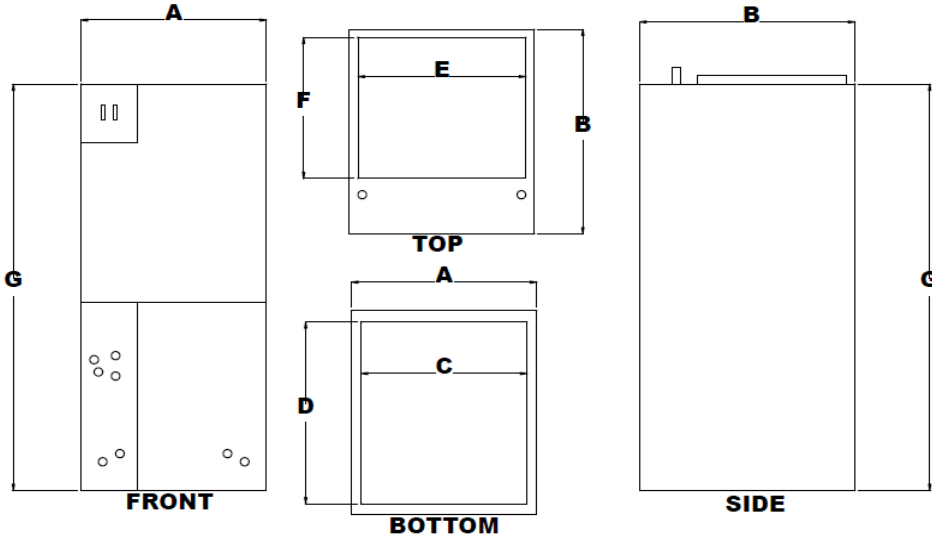
COIL	C	A	36	A	S62	M	41
C = Cooling / Heat Pump H = Hot Water							
TYPE							
A = "A" Coil							
NOMINAL CAPACITY							
18 = 18000 BTUH 24 = 24000 BTUH 30 = 30000 BTUH 36 = 36000 BTUH 42 = 42000 BTUH 48 = 48000 BTUH 60 = 60000 BTUH							
SLAB CONFIGURATION							
A = 2 Slabs ("A" Coil)							
SLAB CODE							
Coil Specifications (Factory Use)							
METERING DEVICE							
See Specification Sheets							
CABINET CLASIFICATION							
41 - Small Cabinet 15 - Large Cabinet							

All Technical Information Subject To Change Without Notice



PHYSICAL DIMENSIONS

Model Number	A	B	C	D	E	F	G
H40,41/24,36CWA	17.50	21.00	15.00	17.50	16.00	12.63	39.75
H14,15/48,60CWA	21.50	25.00	19.25	22.25	19.63	17.25	49.75



GENERAL SPECIFICATIONS

MODEL NUMBER	Nominal	Voltage	CFM @	Heating	Filter	Max. Shp.	Qty. Per
	Tons	1 Ph 60 Hz	0.20"	Capacity	Size	Weight	Truckload
B/S40,41 & 24CWA2	1.5 - 2.0	208/230	900	0-10 KW	16x20x1	118	160
B/S40,41 & 36CWA2	2.5 - 3.0	208/230	1200	0-15 KW	16x20x1	118	160
H40,41 & 24CWA4-HW	1.5 - 2.0	115	800	20K - 30K	16x20x1	140	160
H40,41 & 36CWA4-HW	2.5	115	1000	30K - 39K	16x20x1	140	160
B/S14,15 & 36/48CWA4-HW	3.0 - 4.0	208/230	1700	0-20 KW	20x25x1	180	80
B/S14,15 & 60CWA4-HW	5.0	208/230	2100	0-20 KW	20x25x1	180	80
B/S14,15 & 36, 48CWA4-HW	3.0 - 3.5	115	1740	41K - 50K	20x25x1	199	80
B/S14,15 & 36, 48CWA4-HW	3.0 - 4.0	115	2000	43K - 67K	20x25x1	199	80
H14, 15 & 60CWA4-HW	5.0	115	2000	62K - 80K	20x25x1	199	80

Note: For cooling applications, evaporator coil must be field installed on all B/S H14, 40 air handlers

Note: Maximum (80) B/S/H-15 and (80) B/S/H-41 can be shipped on a mixed truckload

Heating Capacity For "B" & "S" Models is expressed in electric KW

Heating Capacity For "H" Models is expressed in 1000 BTUH

All Technical Information Subject To Change Without Notice



FAN DATA WITH ELECTRIC HEAT

FAN DATA "B/S" AND "CWA" SERIES

MODEL NUMBER	Nominal Tons	MOTOR HP @ 230/1	BLOWER SPEED	CFM @ 0.10"	CFM @ 0.20"	CFM @ 0.30"	CFM @ 0.40"	CFM @ 0.50"
B/S41,45-00 24CWA2	1.5 - 2.0	1/4	H	950	900	850	790	720
			M	850	800	740	680	610
			L	700	660	610	550	480
B/S41-34-00 36CWA2	2.5-3.0	1/3	H	1250	1200	1120	1060	1000
			M	1070	1020	970	920	860
			L	900	870	840	790	720
B/S15-55-00 48CWA2	3.0-4.0	1/3	H	1850	1700	1650	1500	1410
			M	1750	1650	1450	1330	1180
			L	1150	1060	1000	920	810
B/S15-51-00 60CWA2	4.0-5.0	3/4	H	2160	2100	2000	1940	1850
			M	2110	1980	1810	1750	1650
			L	2000	1860	1670	1340	1200

CFM Is Expressed For Nominal Tonnage With Dry Coil - Use 0.96 As Approximate Wet Coil Correction Factor

FAN DATA "B/S" SERIES WITHOUT COIL

MODEL NUMBER	Nominal Tons	MOTOR HP @ 230/1	BLOWER SPEED	CFM @ 0.10"	CFM @ 0.20"	CFM @ 0.30"	CFM @ 0.40"	CFM @ 0.50"
B/S41,45-00	1.5 - 2.0	1/4	H	990	938	885	823	750
			M	885	833	771	708	635
			L	729	688	635	573	500
B/S41-34-00	2.5-3.0	1/3	H	1302	1250	1167	1104	1042
			M	1115	1063	1010	958	896
			L	935	906	875	823	750
B/S15-55-00	3.0-4.0	1/3	H	1927	1771	1719	1563	1469
			M	1823	1719	1510	1385	1229
			L	1198	1104	1042	958	844
B/S15-51-00	4.0-5.0	3/4	H	2250	2188	2083	2021	1958
			M	2198	2063	1885	1823	1719
			L	2083	1938	1740	1396	1250

All Technical Information Subject To Change Without Notice



HEATING PERFORMANCE DATA FOR CWA2

MODEL NUMBER	CFM	GPM	Heating Capacity @ 65f E.A.T Entering Water Temperature				PRESS. DROP WATER (FT-WTR)	PRESS. DROP AIR (WC)
			140°F	160°F	170°F	180°F		
18CWA2	400	3.0	29,749	35,970	39,790	43,620	1.6	0.08"
		4.5	31,058	37,570	41,560	45,540	3.5	
		6.0	31,658	38,300	42,360	46,420	6.0	
	600	3.5	41,050	49,590	54,890	60,190	2.2	0.15"
		5.0	43,416	52,480	58,100	63,660	4.3	
		6.5	44,664	54,010	59,750	65,490	7.1	
24CWA2	600	3.0	41,261	49,850	55,150	60,500	2.2	0.14"
		4.5	44,330	53,580	59,270	65,000	4.7	
		6.0	45,762	55,370	61,240	67,100	8.2	
	800	3.5	51,696	62,450	69,125	75,800	2.9	0.21"
		5.0	55,781	67,400	74,600	81,790	5.8	
		6.5	57,970	70,130	77,590	85,000	9.6	
36CWA2	1000	4.0	62,130	75,000	83,100	91,100	2.1	0.23"
		6.0	68,302	82,500	91,400	100,150	4.6	
		8.0	71,508	86,400	95,600	104,850	8.1	
	1200	5.0	73,792	89,100	98,650	108,200	3.3	0.28"
		6.5	78,566	94,900	105,000	115,200	5.4	
		8.0	81,635	98,600	109,200	119,700	8.1	
48CWA2	1400	4.5	81,056	97,800	108,300	118,850	1.2	0.24"
		6.0	88,660	107,000	118,500	130,000	2.2	
		7.5	93,529	112,960	125,000	137,140	3.3	
	1600	6.0	95,992	115,850	128,300	140,750	2.2	0.25"
		8.0	103,596	125,100	138,500	151,900	3.8	
		10.0	108,411	130,950	144,945	158,960	5.8	
60CWA2	1600	6.5	102,300	123,600	136,800	150,000	2.8	0.19"
		8.5	109,120	131,900	145,950	160,000	4.6	
		10.5	113,451	137,160	151,750	166,350	6.9	
	2000	7.0	119,350	144,170	159,590	175,000	3.2	0.27"
		10.0	131,285	158,650	175,580	192,500	6.3	
		13.0	138,037	166,850	184,600	202,400	10.5	

NOTE: THE ABOVE INFORMATION IS FOR THE 4 ROW "A" TYPE COIL ONLY

All Technical Information Subject To Change Without Notice



CHILLED WATER COOLING PERFORMANCE DATA FOR CWA4

MODEL NUMBER	CFM	GPM	Cooling Capacity @ EAT DB/WB/EWT				PRESS. DROP WATER (FT-WTR)	PRESS. DROP AIR (WC)
			80°F/67°F/45°F		80°F/67°F/42°F			
			TOTAL	SENSIBLE	TOTAL	SENSIBLE		
18CWA2 18CWA4-HW	400	3.0	16,000	11,500	17,600	12,200	1.8	0.10"
		4.5	18,400	12,620	20,430	13,400	3.9	
		6.0	19,860	13,150	22,060	14,140	6.8	
	600	3.5	20,560	15,730	22,600	16,600	2.4	0.18"
		5.0	23,570	17,000	26,140	18,100	4.8	
		6.5	25,680	17,900	28,530	19,140	7.9	
24CWA2 24CWA4-HW	600	3.0	20,600	15,700	22,700	16,500	2.2	0.14"
		4.5	24,400	17,300	27,000	18,400	4.7	
		6.0	28,800	18,300	29,850	19,650	8.2	
	800	3.5	25,200	19,800	27,650	20,900	2.9	0.21"
		5.0	29,400	21,600	32,500	22,900	5.8	
		6.5	32,300	22,900	35,900	24,400	9.3	
36CWA2 36CWA4-HW	1000	4.0	31,400	24,800	34,350	26,000	2.1	0.23"
		6.0	37,150	27,300	41,000	29,000	4.6	
		8.0	41,100	29,000	45,600	31,000	8.1	
	1200	5.0	37,500	29,600	41,100	31,150	3.3	0.28"
		6.5	41,800	31,500	46,000	33,300	5.4	
		8.0	45,000	32,900	50,000	35,000	8.1	
48CWA2 48CWA4-HW	1400	4.5	38,300	32,000	41,500	33,400	1.2	0.24"
		6.0	43,800	34,500	47,800	36,250	2.2	
		7.5	48,200	36,400	53,000	38,500	3.3	
	1600	6.0	46,400	37,700	50,500	39,500	2.2	0.25"
		8.0	52,600	40,500	57,800	42,700	3.8	
		10.0	57,500	42,600	63,500	45,100	5.8	
60CWA2 60CWA4-HW	1600	6.5	52,000	40,400	56,900	42,500	2.8	0.19"
		8.5	58,350	43,100	64,300	45,600	4.6	
		10.5	63,300	45,200	70,000	48,100	6.9	
	2000	7.0	59,500	47,700	64,750	50,000	3.2	0.27"
		10.0	69,200	52,100	76,300	55,100	6.3	
		13.0	76,400	55,200	84,650	58,700	10.5	

NOTE: COOLING CAPACITY LISTED ABOVE IS FOR THE 4 ROW "A" TYPE COIL ONLY

All Technical Information Subject To Change Without Notice



FAN DATA "B/S" AND "CWA" SERIES WITH HOT WATER HEAT

MODEL NUMBER	Nominal Tons	MOTOR HP @ 230/1	BLOWER SPEED	CFM @ 0.10"	CFM @ 0.20"	CFM @ 0.30"	CFM @ 0.40"	CFM @ 0.50"
H40,41-46-20	1.5 - 2.0	1/4	H	850	800	760	720	680
H40,41-46-26			M	825	775	715	690	670
24CWA4-HW			L	780	715	655	630	
H41-46-33-A1BC	1.5 - 2.0	1/4	H	840	790	750	700	660
H40-46-33-A1BC			M	820	760	755	680	630
			L	770	700	630	600	
H41-37-30-A1BC	2.5	1/3	H	1030	1000	950	890	850
H40-37-30-A1BC			M	1000	960	905	865	810
			L	980	925	870	810	
H41-37-39-A1BC	2.5	1/3	H	1010	980	930	865	830
H40-37-39-A1BC			M	975	935	895	845	800
			L	950	900	870	810	
H15-49-41-A1BC	3.0 - 3.5	1/3	H	1370	1330	930	1255	1215
H14-49-41-A1BC	3.0 - 3.5		M	1360	1265	895	1120	1090
36CWA4-HW	3.0		L	1300	1200	860	1000	970
H15-49-50-A1BC	3.0 - 3.5	1/3	H	1360	1310	1290	1230	1190
H14-49-50-A1BC			M	1340	1250	1190	1090	1060
			L	1280	1170	1070	970	
H15-52-43-A1BC	3.5 - 4.0	3/4	H	1900	1820	1270	1630	1530
H14-52-43-A1BC			M	1830	1700	1170	1485	1310
			L	1730	1590	1040	1430	
H15-52-52-A1BC	3.5 - 4.0	3/4	H	1880	1775	1720	1600	1490
H14-52-52-A1BC			M	1800	1650	1600	1450	1300
			L	1730	1530	1400	1270	
H15-52-67-A1BC	3.5 - 4.0	3/4	H	1860	1740	1680	1530	1480
H14-52-67-A1BC	3.5 - 4.0		M	1789	1620	1550	1390	1280
48CWA4-HW	4.0		L	1680	1500	1360	1250	
H15-53-62-A1BC	5.0	3/4	H	2055	2000	1640	1845	1780
H14-53-62-A1BC			M	1920	1840	1510	1590	1545
			L	1830	1720	1320	1405	1325
H15-53-71-A1BC	5.0	3/4	H	2022	1945	1950	1780	1730
H14-53-71-A1BC			M	1860	1820	1720	1500	1450
			L	1765	1670	1500	1370	1300
H15-53-80-A1BC	5.0	3/4	H	1950	1900	1860	1770	1720
H14-53-80-A1BC			M	1820	1750	1680	1470	1440
60CWA4-HW			L	1750	1640	1450	1270	

All electric heat air handlers are 208/230/1/60
All hot water heat air handlers are 115/1/60

All Technical Information Subject To Change Without Notice



ELECTRICAL DATA "B/S" AND "CWA" SERIES								
Electric Heat Kit Model	Nominal Tons	Nominal CFM	Electric Heat		MCA		MOCP	
			KW@230/1	KW@208/1	230/1	208/1	230/1	208/1
FITS B/S40-45 BS41-45 24CWA2								
S41HK03	1.5-2.0	800	3.0	2.3	18.4	15.4	25.0	20.0
S41HK05		TO	5.0	3.8	29.0	25.0	30.0	30.0
S41HK08		900	8.0	6.0	44.0	39.0	45.0	4.0
S41HK10			10.0	7.5	55.0	48.0	60.0	50.0
FITS B/S40-34 BS41-34 36CWA2								
S41HK03	2.5-3.0	1020	3.0	2.3	19.8	16.9	25.0	20.0
S41HK05		TO	5.0	3.8	30.0	27.0	30.0	30.0
S41HK08		1200	8.0	6.0	46.0	40.0	50.0	40.0
S41HK10			10.0	7.5	56.0	49.0	60.0	50.0
B41HK15			15.0	11.3	56.0/26.0	40.0/23.0	60.0/30.0	50.0/30.0
FITS B/S14-55 BS15-55 48CWA2								
S15HK03	3.0-4.0	1650	3.0	2.3	20.3	17.4	25.0	20.0
S15HK05		TO	5.0	3.8	30.0	27.0	30.0	25.0
S15HK08		1700	8.0	6.0	46.0	41.0	50.0	45.0
S15HK10			10.0	7.5	57.0	50.0	60.0	50.0
B15HK15			15.0	11.3	53.0/30.0	46.0/27.0	60.0/30.0	50.0/30.0
B15HK20			20.0	15.0	57.0/53.0	50.0/46.0	60.0/30.0	50.0/30.0
FITS B/S14-51 BS15-51 60CWA2								
S15HK03	4.0-5.0	1980	3.0	2.3	22.3	19.4	25.0	20.0
S15HK05		TO	5.0	3.8	32.0	29.0	35.0	30.0
S15HK08		2100	8.0	6.0	48.0	42.0	50.0	45.0
S15HK10			10.0	7.5	59.0	52.0	60.0	60.0
B15HK15			15.0	11.3	53.0/32.0	46.0/29.0	60.0/35.0	50.0/30.0
B15HK20			20.0	15.0	59.0/53.0	52.0/46.0	60.0/60.0	60.0/50.0

DOWNFLOW CONVERSION KITS	
DFK-41-10	CA0XXA820
DFK-41-12	CA0XXA821,861
DFK-41-14	CA0XXA822,862,892
DFK-15-16	CA0XXA863
DFK-15-18	CA0XXA864,894
DFK-15-20	CA0XXA865,895,695

Note:

Downflow conversion kits are used with electric heat models only.

Not suitable for use with hot water heat models

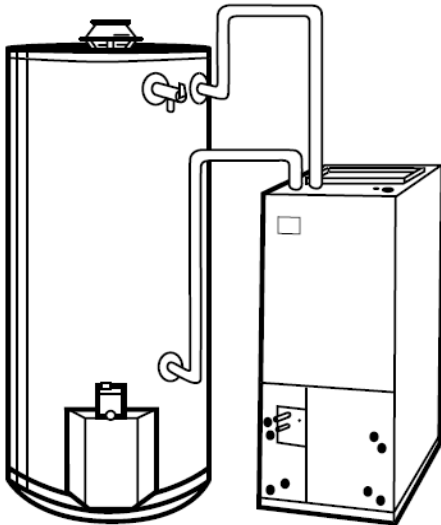
All Technical Information Subject To Change Without Notice



HOT WATER HEATING CAPACITY "H" AND "CWA4-HW" SERIES

MODEL NUMBER	NOMINAL CFM @ FAN SPEED	HEATING CAPACITY @ ENTERING WATER TEMPERATURE				GPM	PRESS. DROP WATER (FT-WTR)	PRESS. DROP AIR (WC)
		120°F	140°F	160°F	180°F			
		H4041-46-20 & 24CWA4	655-L	12,230	17,590			
H4041-46-26 & 24CWA4	715-M	12,820	18,310	23,940	29,700	4.0	2.5	0.14
H4041-46-33 & 24CWA4	760-H	13,160	19,910	24,610	30,540	4.0	2.5	0.16
H40,41-37-30	905-M	15,100	21,620	28,330	35,200	4.0	2.3	0.14
H40,41-37-39	950-H	20,740	29,630	38,760	48,090	4.0	2.3	0.23
H41-84-39	1100-H	26,700	36,650	46,720	56,850	4.0	2.3	0.37
H14,15-49-41 & 36CWA4	1190-M	19,620	28,050	36,720	45,570	4.0	2.3	0.14
H14,15-49-50 & 36CWA4	1290-H	27,140	38,730	50,610	62,730	4.0	2.4	0.23
H14,15-52-43 & 48CWA4	1400-L	20,890	29,910	39,190	48,690	4.0	2.3	0.18
H14,15-52-52 & 48CWA4	1600-M	29,500	42,160	55,170	68,470	4.0	2.4	0.34
H14,15-52-67 & 48CWA4	1720-H	36,290	51,740	67,570	83,720	4.0	2.4	0.52
H14,15-53-62 & 60CWA4	1500-L	27,000	38,520	50,320	62,350	7.0	2.3	0.20
H14,15-53-71 & 60CWA4	1720-M	38,470	54,810	71,540	88,570	7.0	2.9	0.48
H14,15-53-80 & 60CWA4	1950-H	46,370	65,940	85,900	106,180	7.0	2.9	0.64

NOTE: THE ABOVE INFORMATION IS FOR THE 2 ROW "SLAB" TYPE COIL ON TOP OF THE UNIT ONLY



Operation of Sun Therm Air Handler with Hot Water Heater

Circulating pump and air handler are energized by conventional heating thermostat. Pump circulates hot water from hot water heater to heating coil in Air Handler and blower circulates warm air through the duct system. when the thermostat is satisfied, pump and blower are de-energized. Circulating pump may be eliminated for boiler loop applications

equipment sizing

- 1- Calculate heat loss of structure by ACCA or ASHRAE load calculation method. Air handler heating capacity should be equal or exceed load calculation.
- 2- Select a water heater whose BTUH input/recovery efficiency exceeds heating capacity of air handler

Note: The heating capacity of the air handler will not exceed the net output of the hot water heater.

- 3- Air Handlers are capable of using hot water from other sources such as boilers as long as hot water doesn't exceed 180°F

- 4- Call Sun Therm Distributor for assistance in sizing.



All Technical Information Subject To Change Without Notice

FIELD INSTALLED ACCESSORIES AND FACTORY INSTALLED OPTIONS

Thermal Expansion Valves (Factory or Field) All Units

TXV3-A	Expansion valve 1.5-3.0 tons R-22	DFK41-10	Fits CAXXA820 coils
TXV3-B	Expansion valve 3.0-5.0 tons R-22	DFK41-12	Fits CAXXA821,861 coils
TXV4-A	Expansion valve 1.5-3.0 tons R-410	DFK41-14	Fits CAXXA822,862,892 coils
TXV4-B	Expansion valve 3.0-5.0 tons R-410	DFK15-16	Fits CAXXA863 coils
		DFK15-18	Fits CAXXA864,894 coils
	Specify Field or Factory Installed	DFK15-20	Fits CAXXA865,895,695 coils

Hydronic Accessories All Units

Accessories for dedicated Vertical/Wall Mount

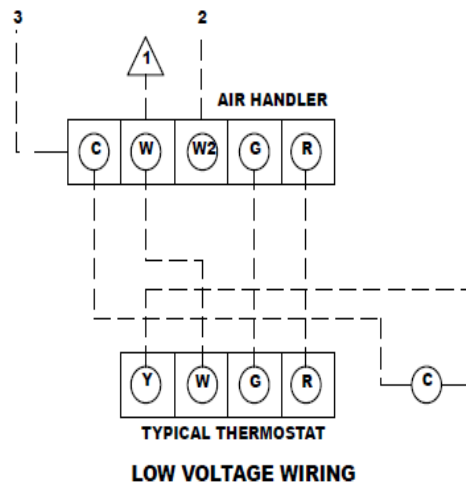
68AC002	Pump timer for hydronic coil purge	WPD02	Wall panel door for 02 models
RPA-01	Remote pump assembly 4 GPM 1/2"	WPD03	Wall panel door for 03 models
RPA-02	Remote pump assembly 4 GPM 3/4"	LCD02	Louvered coil door for 02 models
RPA-03	Remote pump assembly 7 GPM 3/4"	LCD03	Louvered coil door for 03 models
Deduct available to remove pump for boiler loop applications		BRP02	Bottom return air panel for 02 models
		BRP03	Bottom return air panel for 03 models
		WB	Wall Mounting Brackets

Field Installed Heaters "S41" Multi-Position

Accessories For Furr Down Horizontal

S41HK-03	3 KW without breaker	CPL1	Louvered Access Panel (18,19,24)
B41HK-03	3 KW with breaker	CPNL1	Non-louvered Access Panel (18,19,24)
S41HK-05	5 KW without breaker	CPL2	Louvered Access Panel (25,30,31)
B41HK-05	5 KW with breaker	CPNL2	Non-louvered Access Panel (25,30,31)
S41HK-06	6 KW without breaker	CPL3	Louvered Access Panel (34,35)
B41HK-06	6 KW with breaker	CPNL3	Non-Louvered Access (34,35)
S41HK-08	8 KW without breaker	CPL4	Louvered Access Panel (36,37)
B41HK-08	8 KW with breaker	CPNL4	Non-Louvered Access Panel (36,37)
S41HK-10	10 KW without breaker	TDR	Time Delay Relay
B41HK-10	10 KW with breaker		
B41HK-12	12 KW with breaker		

Typical Thermostat Wiring



All Technical Information Subject To Change Without Notice