

## AHW Wall Mount Air Handler

### TECHNICAL GUIDE

FOR USE WITH SPLIT SYSTEM COOLING ONLY AND HEAT PUMPS WITH BACK UP ELECTRIC HEAT.

#### MODELS:

**AHW1**–Direct Expansion Cooling/Back Up Electric Heating

**AHW2**–Direct Expansion Cooling/Hot Water Heating

SEE PAGE 2 FOR MODEL NUMBER NOMENCLATURE

### DESCRIPTION

These air handlers are designed for vertical mounting in a wall or closet application, and will handle up to 1200 CFM and up to 3 tons of cooling with a DX cooling or heat pump coil. For DX cooling requirements these air handlers can be matched with most manufacturer's condensing units and heat pumps. The front of the case is open to accommodate a louvered/filtered access panel.

### STANDARD FEATURES

- Compact for easy replacement of existing units. Space saving design for new construction.
- Constant Torque ECM motor.
- 208/240V-1ph-60Hz (Electric Heat Models)
- 115V-1ph-60Hz (Hot Water Heat Models)
- 1" Foil faced insulation.
- Meets ASHRAE standard 193 low leak requirements.
- Galvanized steel blower wheels.
- Prewired for cooling and heating.
- Control transformer.
- Primary and secondary condensate drain connections.
- High efficiency copper tubes with aluminum fin coils.
- Refrigerant leak detection and mitigation system on models designed for R-32 or R-454 refrigerants.

### FACTORY INSTALLED OPTIONS

- R-410A, R-32, or R-454B Thermostatic expansion valve. Expansion valves are suitable for A/C and heat pump applications.
- 3kW-10kW backup electric heat strips.
- Hot Water heating coil.
- Fully painted cabinet.

### FIELD INSTALLED OPTIONS

- Paintable, white "picture frame" door or wall recessed applications.
- Embossed, louvered coil door for wall hung applications.
- Hanging brackets for wall hung applications.
- Bottom return air panel.

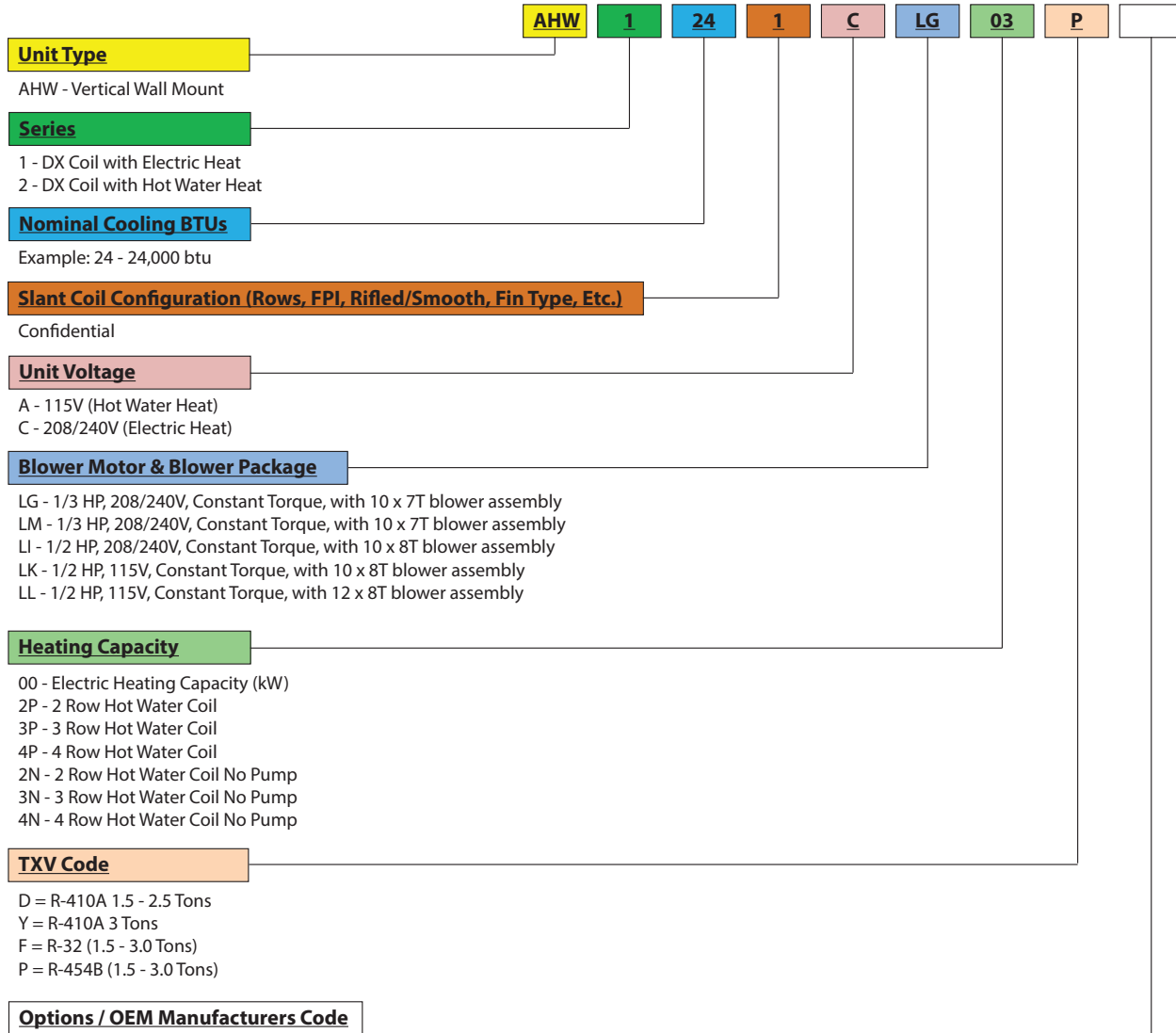


All Technical Information Subject To Change Without Notice

For more information contact Customer Service 817-624-0820  
or your SunTherm Representative.

501 Terminal Road Fort Worth, Texas 76106 Ph. 817-624-0820 Fx. 817-624-8581

### AHW Vertical Wall Mounted Air Handler DX Cooling / Electric Heat / Hot Water Air Handler



**Standard Features:**

Factory Installed TXV  
Factory Installed Disconnect  
Front "Return Air" Application

**Optional Features:**

BR - Solid Front Panel (Bottom "Return Air" Application)

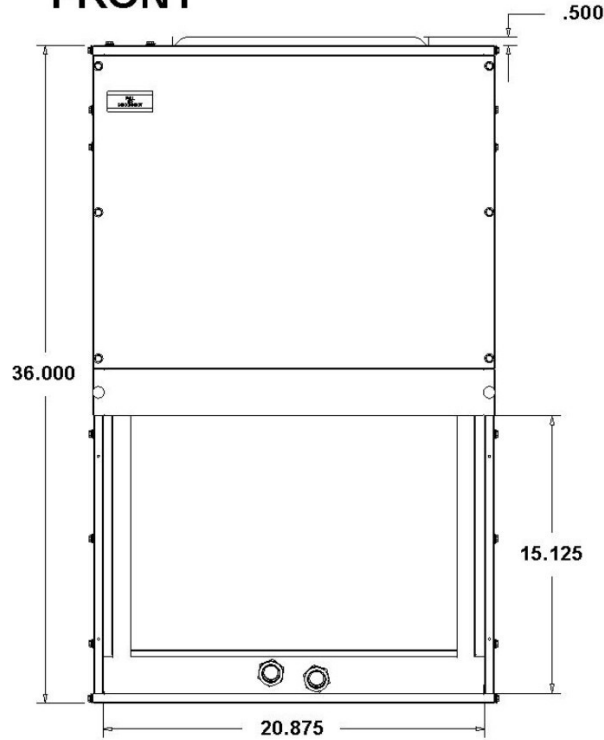
All Technical Information Subject To Change Without Notice

For more information contact Customer Service 817-624-0820  
or your SunTherm Representative.

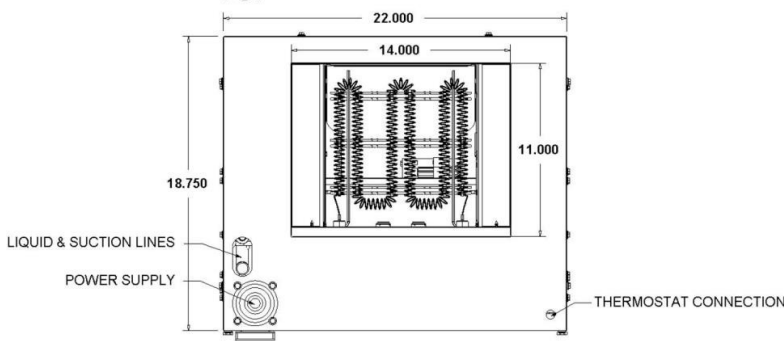
501 Terminal Road Fort Worth, Texas 76106 Ph. 817-624-0820 Fx. 817-624-8581

### Unit Dimensional Data AHW1

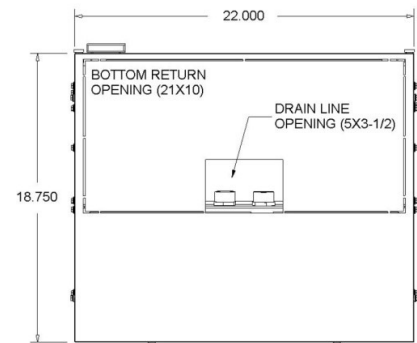
#### FRONT



#### TOP



#### BOTTOM



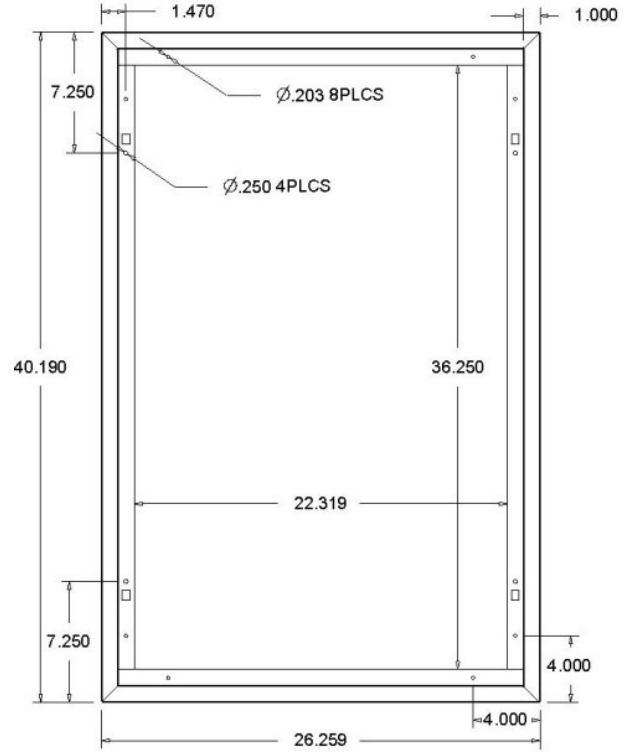
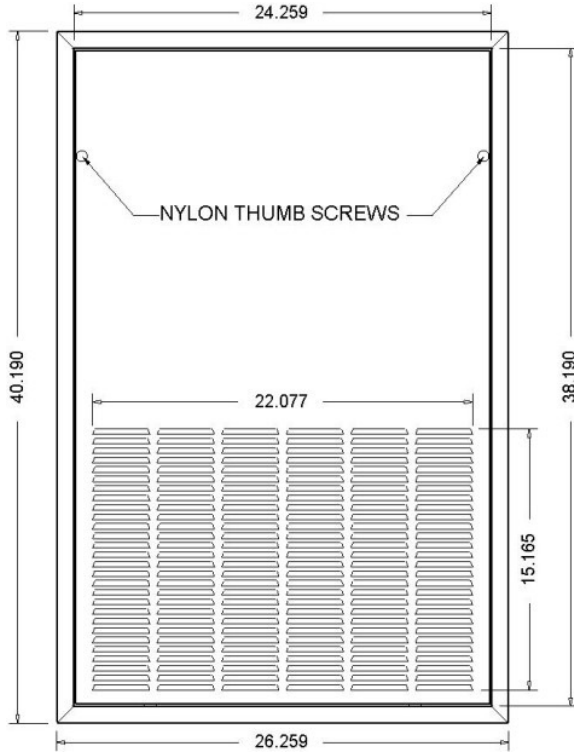
Piping Sizes	
Suction Line	3/4"
Liquid Line	3/8"

All Technical Information Subject To Change Without Notice

For more information contact Customer Service 817-624-0820  
or your SunTherm Representative.

501 Terminal Road Fort Worth, Texas 76106 Ph. 817-624-0820 Fx. 817-624-8581

### Wall Panel Door Dimensions AWPD



### Product Weights

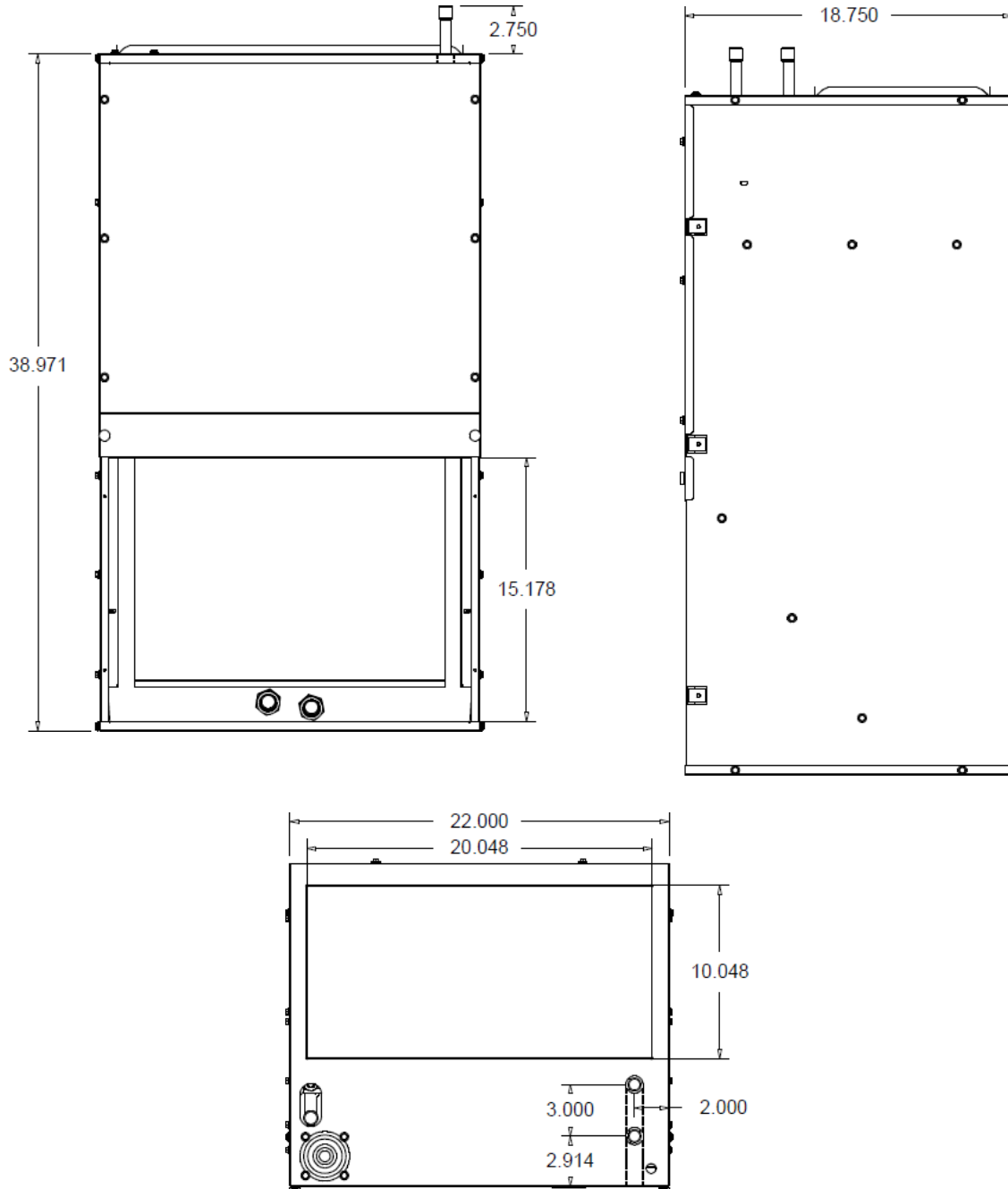
Unit Weights	
Operational	95 Lbs
Shipping	105 Lbs
Door Panel Weights	
Panel	12 Lbs
Shipping	15 Lbs

All Technical Information Subject To Change Without Notice

For more information contact Customer Service 817-624-0820  
or your SunTherm Representative.

501 Terminal Road Fort Worth, Texas 76106 Ph. 817-624-0820 Fx. 817-624-8581

### Unit Dimensional Data AHW2 (Hot Water)

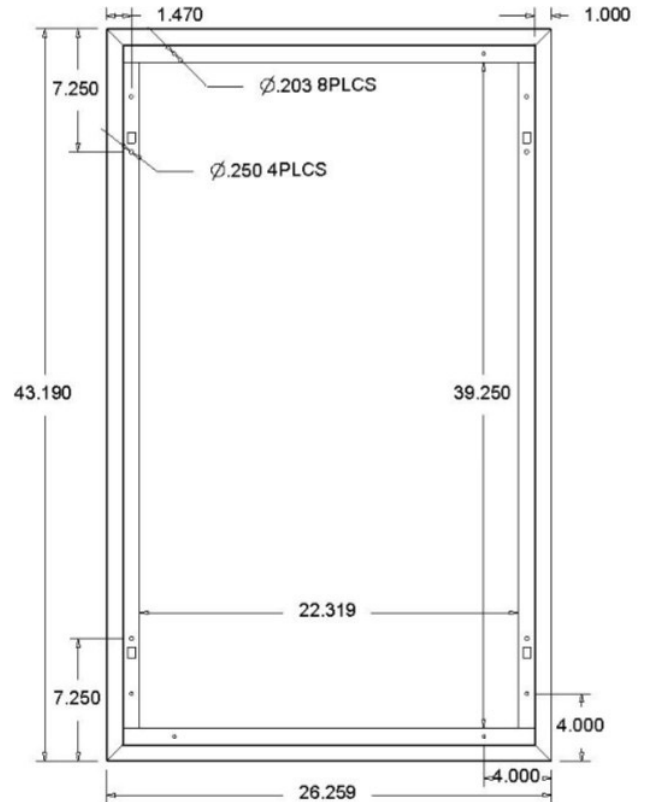
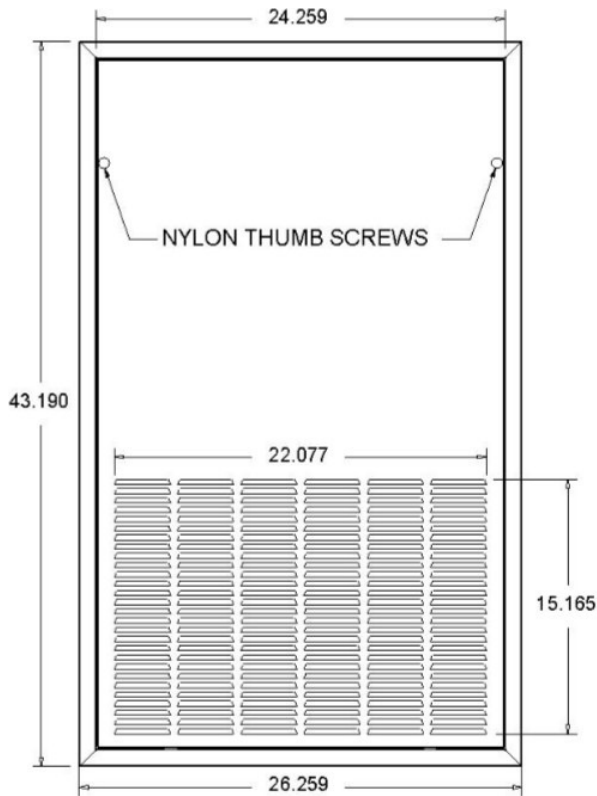


All Technical Information Subject To Change Without Notice

For more information contact Customer Service 817-624-0820  
or your SunTherm Representative.

501 Terminal Road Fort Worth, Texas 76106 Ph. 817-624-0820 Fx. 817-624-8581

### Wall Panel Door Dimensions AWPD2



### Airflow Data

Vertical : Wall/Closet" Mount Air Handler "Constant Torque" Motor - Fan Data																
Cabinet Size	Blower Housing	Motor HP	Blower Code	Motor Volts	Evap. Coil/FHxFL	Motor Tap	CFM @ External Pressure In-WC (Watts/1000cfm)									
							0.10	0.20	0.30	0.40	0.50					
22"Wx18 3/4"Dx36"H (Electric Heat)	10x7T	1/3	LM	240	18.194x17.75 (4R, .827x.625, 5/16")	5	957	{198}	899	{213}	842	{231}	781	{266}	722	{293}
							[185]	[192]	[195]	[208]	[212]					
						4	898	{176}	839	{196}	778	{226}	765	{236}	717	{259}
							[158]	[165]	[176]	[181]	[186]					
						3	779	{146}	734	{163}	680	{185}	618	{211}	545	{249}
							[114]	[120]	[126]	[131]	[136]					
						2	713	{129}	663	{150}	600	{173}	523	{208}	484	{235}
							[92]	[100]	[104]	[109]	[114]					
						1	585	{104}	545	{123}	460	{156}	385	{194}	308	{263}
							[61]	[67]	[72]	[75]	[79]					
22"Wx18 3/4"Dx36"H (Electric Heat)	10x7T	1/3	LG	240	18.194x17.75 (4R, .827x.625, 5/16")	5	1248	{275}	1218	{286}	1213	{292}	1183	{300}	1129	{299}
							[343]	[348]	[354]	[355]	[338]					
						4	1079	{205}	1062	{210}	1045	{224}	1003	{238}	966	{260}
							[221]	[223]	[234]	[239]	[251]					
						3	1007	{176}	993	{187}	969	{196}	930	{215}	878	{237}
							[177]	[186]	[190]	[200]	[208]					
						2	878	{137}	851	{146}	811	{165}	757	{184}	706	{213}
							[120]	[124]	[134]	[139]	[150]					
						1	825	{125}	784	{140}	748	{157}	689	{178}	640	{206}
							[103]	[110]	[117]	[123]	[132]					
22"Wx18 3/4"Dx36"H (Electric Heat)	10x8T	1/2	LI	240	21.50x17.75 (4R, .827x.625, 5/16")	5	1396	{300}	1340	{297}	1288	{297}	1288	{300}	1206	{298}
							[419]	[398]	[383]	[387]	[360]					
						4	1340	{276}	1307	{282}	1288	{288}	1254	{291}	1177	{294}
							[370]	[369]	[371]	[365]	[346]					
						3	1250	{246}	1219	{258}	1204	{261}	1181	{273}	1112	{291}
							[307]	[315]	[314]	[322]	[323]					
						2	1086	{195}	1065	{200}	1034	{212}	978	{235}	930	{260}
							[212]	[213]	[219]	[230]	[242]					
						1	1025	{176}	1002	{182}	974	{197}	909	{225}	846	{248}
							[180]	[182]	[192]	[205]	[210]					
22"Wx18 3/4"Dx36"H (Hydronic Heat)	10x8T	1/2	LK	120	21.50x17.75 (4R, .827x.625, 5/16")	5	947	{267}	888	{292}	860	{310}	787	{351}	724	{387}
							[253]	[259]	[267]	[276]	[280]					
						4	911	{245}	859	{268}	802	{294}	732	{329}	656	{380}
							[223]	[230]	[236]	[241]	[249]					
						3	820	{210}	763	{236}	690	{274}	609	{314}	535	{368}
							[172]	[180]	[189]	[191]	[197]					
						2	733	{191}	661	{228}	588	{260}	564	{278}	502	{321}
							[140]	[151]	[153]	[157]	[161]					
						1	613	{148}	542	{177}	471	{217}	400	{262}	327	{334}
							[91]	[96]	[102]	[105]	[109]					
22"Wx18 3/4"Dx36"H (Hydronic Heat)	12x8T	1/2	LL	120	21.50x17.75 (4R, .827x.625, 5/16")	5	1224	{303}	1169	{323}	1111	{345}	1050	{371}	985	{400}
							[371]	[377]	[383]	[390]	[395]					
						4	1154	{278}	1098	{294}	1036	{323}	973	{350}	903	{379}
							[321]	[323]	[334]	[340]	[342]					
						3	1081	{252}	1015	{276}	951	{298}	886	{326}	812	{361}
							[272]	[280]	[283]	[289]	[293]					
						2	1026	{232}	956	{248}	887	{274}	812	{308}	730	{350}
							[238]	[237]	[243]	[250]	[255]					
						1	950	{206}	876	{233}	801	{259}	717	{293}	627	{345}
							[195]	[204]	[207]	[259]	[935]					

All Technical Information Subject To Change Without Notice

For more information contact Customer Service 817-624-0820  
or your SunTherm Representative.

501 Terminal Road Fort Worth, Texas 76106 Ph. 817-624-0820 Fx. 817-624-8581



### Electrical Data

	AIR HANDLER MODELS		
	AHW1	AHW1	AHW1
Indoor Blower Type	Constant Torque	Constant Torque	Constant Torque
Indoor Blower Motor Code	LM	LG	LI
Indoor Blower HP	1/3	1/3	1/2
Indoor Blower Size	10 x 7T	10 x 7T	10 x 8T
Indoor Blower Amps - 208/240 VAC	0.77 / 0.74	1.66 / 1.58	2.52 / 2.40
Min. Wire Size (90°C)	#14	#14	#14
Minimum Wire Size (75°C)	#14	#14	#14
Minimum Wire Size (60°C)	#14	#14	#14
Ground Wire Size	#14	#14	#14
Max Overcurrent Protection Amps**	15	15	15

#### Wiring Requirements – 208/240 VAC No Electric Heat

- + Refer to the National Electrical Code Table 250-95 for Non-Sheathed Conductor Ground Wire.
- \* Ground conductor must be the same size and temperature rating as the other conductors listed in the above table.
- \*\* Circuit breakers must be HACR type.

	AIR HANDLER MODELS														
	AHW1					AHW1					AHW1				
3 kW Heater Amps - 208/240 VAC	10.8/12.5					10.8/12.5					10.8/12.5				
5 kW Heater Amps - 208/240 VAC	18.0/20.8					18.0/20.8					18.0/20.8				
6 kW Heater Amps - 208/240 VAC	21.6/25.0					21.6/25.0					21.6/25.0				
8 kW Heater Amps - 208/240 VAC	28.8/33.3					28.8/33.3					28.8/33.3				
10 kW Heater Amps - 208/240 VAC	36.1/41.7					36.1/41.7					36.1/41.7				
Indoor Blower Type	Constant Torque					Constant Torque					Constant Torque				
Indoor Blower Size	10 x 7T					10 x 7T					10 x 8T				
Indoor Blower HP	1/3					1/3					1/2				
Indoor Blower Amps - 240 VAC	0.74					1.58					2.40				
Indoor Blower Amps - 208 VAC	0.77					1.66					2.52				
Indoor Blower Code	LM					LG					LI				
Heater - kW	3	5	6	8	3	5	6	8	3	5	6	8	10		
Minimum Circuit Ampacity	16.5	27.0	32.2	42.6	17.6	28.0	33.2	43.6	18.6	29.0	34.3	44.7	55.1		
Minimum Copper Wire Size (90°C)	#14	#12	#10	#8	#14	#12	#10	#8	#14	#12	#10	#8	#6		
Minimum Copper Wire Size (75°C)	#14	#10	#10	#8	#14	#10	#10	#8	#14	#10	#10	#8	#6		
Minimum Copper Wire Size (60°C)	#14	#10	#8	#6	#14	#10	#8	#6	#14	#10	#8	#6	#4		
Ground Wire Size	*	*	*	*	*	*	*	*	*	*	*	*	*		
Maximum Overcurrent Protection Amps**	20	30	35	45	20	30	35	45	20	30	35	45	60		

#### Wiring Requirements – 208/240 VAC Electric Heat - Single Branch Circuit

- + Refer to the National Electrical Code Table 250-95 for Non-Sheathed Conductor Ground Wire.
- \* Ground conductor must be the same size and temperature rating as the other conductors listed in the above table.
- \*\* Circuit breakers must be HACR type.

	AIR HANDLER MODELS	
	AHW2	AHW2
Indoor Blower Type	Constant Torque	Constant Torque
Indoor Blower Motor Code	LK	LL
Indoor Blower HP	1/2	1/2
Indoor Blower Size	10 x 8T	12 x 8T
Indoor Blower Amps	1.91	2.70
Water Pump Amps	0.52	0.52
Minimum Circuit Ampacity	3.04	4.03
Minimum Copper Wire Size (90°C)	#14	#14
Minimum Copper Wire Size (75°C)	#14	#14
Minimum Copper Wire Size (60°C)	#14	#14
Ground Wire Size	#14	#14
Maximum Overcurrent Protection Amps**	15	15

#### Wiring Requirements – 115 VAC Hydronic Heat

- + Refer to the National Electrical Code Table 250-95 for Non-Sheathed Conductor Ground Wire.
- \* Ground conductor must be the same size and temperature rating as the other conductors listed in the above table.
- \*\* Circuit breakers must be HACR type.

All Technical Information Subject To Change Without Notice

For more information contact Customer Service 817-624-0820  
or your SunTherm Representative.

501 Terminal Road Fort Worth, Texas 76106 Ph. 817-624-0820 Fx. 817-624-8581

Performance Data - Hot Water Slab Coils HEATING PERFORMANCE DATA:														
HOT WATER WALL MOUNT MODEL NO.	HOT WATER CAPACITIES @70°F ENTERING AIR TEMPERATURE ENTERING WATER TEMPERATURE										CFM	GPM	PRESS. DROP WATER (FT-WTR)	PRESS. DROP AIR (IN-WC)
	100°F	110°F	120°F	130°F	140°F	150°F	160°F	170°F	180°F	190°F				
AHW2-18/24-2N LI 1/2HP, 10x8T, 20" FH x 10" FL, 2 Row, 4 Circuit, 10 FPI	9,071	12,188	15,342	18,528	21,741	24,979	28,238	31,516	34,809	840	2.0	0.68	0.208	
	10,069	13,590	16,983	20,486	24,014	27,564	31,132	34,717	38,317		3.0*	1.39		
	10,660	14,291	17,951	21,637	25,344	29,071	32,815	36,573	40,344		4.0	2.32		
	11,055	14,811	18,593	22,397	26,221	30,063	33,920	37,790	41,671		5.0	3.45		
	11,338	15,183	19,051	22,940	26,846	30,768	34,704	38,652	42,610		6.0	4.76		
	8,826	11,857	14,923	18,018	21,141	24,286	27,451	30,634	33,831	785	2.0	0.68	0.185	
	9,763	13,097	16,462	19,854	23,270	26,706	30,160	33,630	37,112		3.0*	1.39		
	10,315	13,827	17,365	20,926	24,509	28,110	31,726	35,356	38,998		4.0	2.32		
	10,682	14,310	17,961	21,633	25,324	29,031	32,752	36,485	40,229		5.0	3.45		
	10,945	14,654	18,386	22,136	25,903	29,684	33,478	37,283	41,098		6.0	4.76		
	8,309	11,158	14,037	16,943	19,873	22,822	25,790	28,773	31,769	680	2.0	0.68	0.146	
	9,124	12,234	15,373	18,534	21,716	24,915	28,130	31,358	34,599		3.0*	1.39		
	9,598	12,861	16,146	19,452	22,776	26,116	29,468	32,833	36,208		4.0	2.32		
	9,911	13,272	16,654	20,054	23,469	26,898	30,339	33,791	37,252		5.0	3.45		
	10,135	13,565	17,014	20,480	23,959	27,451	30,953	34,465	37,985		6.0	4.76		
	7,801	10,471	13,168	15,888	18,630	21,389	24,163	26,950	29,750	590	2.0	0.68	0.116	
8,505	11,400	14,319	17,258	20,215	23,187	26,173	29,170	32,176	3.0*		1.39			
8,910	11,935	14,979	18,041	21,118	24,208	27,310	30,422	33,542	4.0		2.32			
9,176	12,283	15,409	18,550	21,704	24,869	28,045	31,230	34,422	5.0		3.45			
9,365	12,503	15,713	18,909	22,113	25,334	28,562	31,797	35,039	6.0		4.76			
6,850	9,186	11,544	13,919	16,310	17,715	21,131	23,558	25,994	450	2.0	0.68	0.074		
7,370	9,873	12,392	14,927	17,474	20,033	22,602	25,179	27,763		3.0*	1.39			
7,664	10,259	12,869	15,497	18,124	20,767	23,418	26,076	28,741		4.0	2.32			
7,855	10,508	13,176	15,854	18,541	21,237	23,940	26,649	29,364		5.0	3.45			
7,989	10,684	13,390	16,107	18,833	21,565	24,304	27,048	29,798		6.0	4.76			
AHW2-18/24-3N LI 1/2HP, 10x8T, 20" FH x 10" FL, 3 Row, 5 Circuit, 10 FPI	11,453	15,387	19,368	23,388	27,433	31,528	35,639	39,773	43,925	840	2.0	0.55	0.311	
	12,860	17,256	21,693	26,168	30,675	35,209	39,767	44,347	48,944		3.0*	1.14		
	13,693	18,356	23,057	27,791	32,554	37,341	42,151	46,979	51,823		4.0	1.89		
	14,244	19,083	23,955	28,857	33,785	38,736	43,705	48,692	53,694		5.0	2.81		
	14,637	19,600	24,593	29,612	34,656	39,720	44,801	49,898	55,009		6.0	3.89		
	11,139	14,963	18,830	22,735	26,674	30,640	34,631	38,643	42,674	785	2.0	0.55	0.278	
	12,452	16,704	20,996	25,322	29,679	34,061	38,465	42,890	47,331		3.0*	1.14		
	13,222	17,721	22,255	26,821	31,413	36,028	40,663	45,315	49,983		4.0	1.89		
	13,729	18,389	23,081	27,800	32,543	37,307	42,089	46,886	51,698		5.0	2.81		
	14,090	18,865	23,666	28,493	33,341	38,209	43,092	47,990	52,900		6.0	3.89		
	10,469	14,058	17,684	21,343	25,032	28,747	32,482	36,237	40,008	680	2.0	0.55	0.219	
	11,592	15,543	19,530	23,546	27,587	31,651	35,735	39,834	43,949		3.0*	1.14		
	12,240	16,398	20,586	24,801	29,038	33,295	37,568	41,857	46,159		4.0	1.89		
	12,662	16,954	21,273	25,614	29,976	34,354	38,749	43,156	47,575		5.0	2.81		
	12,961	17,347	21,756	26,185	30,633	35,096	39,573	44,062	48,562		6.0	3.89		
	9,804	13,159	16,547	19,964	23,407	26,872	30,355	33,855	37,369	590	2.0	0.55	0.173	
10,755	14,416	18,106	21,821	25,558	29,314	33,087	36,874	40,673	3.0*		1.14			
11,295	15,127	18,984	22,863	26,762	30,676	34,605	38,546	42,498	4.0		1.89			
11,644	15,587	19,550	23,533	27,532	31,546	35,573	39,611	43,658	5.0		2.81			
11,890	15,908	19,946	24,000	28,070	32,152	36,246	40,350	44,462	6.0		3.89			
8,544	11,457	14,396	17,356	20,335	23,331	26,341	29,364	32,397	450	2.0	0.55	0.111		
9,215	12,342	15,489	18,654	21,836	25,031	28,237	31,455	34,680		3.0*	1.14			
9,585	12,828	16,088	19,364	22,653	25,953	29,263	32,582	35,909		4.0	1.89			
9,821	13,137	16,468	19,812	23,168	26,533	29,907	33,289	36,678		5.0	2.81			
9,985	13,351	16,731	20,122	23,523	26,934	30,351	33,776	37,206		6.0	3.89			

All Technical Information Subject To Change Without Notice

For more information contact Customer Service 817-624-0820  
or your SunTherm Representative.

501 Terminal Road Fort Worth, Texas 76106 Ph. 817-624-0820 Fx. 817-624-8581



Performance Data - Hot Water Slab Coils HEATING PERFORMANCE DATA:													
HOT WATER WALL MOUNT MODEL NO.	HOT WATER CAPACITIES @70°F ENTERING AIR TEMPERATURE ENTERING WATER TEMPERATURE									CFM	GPM	PRESS. DROP WATER (FT-WTR)	PRESS. DROP AIR (IN-WC)
	100°F	110°F	120°F	130°F	140°F	150°F	160°F	170°F	180°F				
AHW2-18/24-4N LI 1/2HP, 10x8T, 20" FH x 10" FL, 4 Row, 5 Circuit, 10 FPI	13,458	18,060	22,709	27,397	32,117	36,867	41,641	46,434	51,246	840	2.0	0.75	0.415
	15,168	20,334	25,543	30,788	36,064	41,368	46,694	52,042	57,405		3.0*	1.54	
	16,158	21,644	27,168	32,725	38,310	43,920	49,550	55,199	60,862		4.0	2.56	
	16,803	22,494	28,220	33,975	39,756	45,559	51,380	57,218	63,070		5.0	3.80	
	17,256	23,091	28,957	34,850	40,765	46,700	52,653	58,620	64,601		6.0	5.24	
	13,073	17,542	22,053	26,602	31,182	35,789	40,420	45,069	49,735	785	2.0	0.75	0.371
	14,655	19,642	24,669	29,730	34,821	39,937	45,074	50,229	55,399		3.0*	1.54	
	15,561										4.0	2.56	
	16,148	21,614	27,111	32,635	38,184	43,751	49,337	54,937	60,550		5.0	3.80	
	16,559	22,155	27,779	33,427	39,096	44,784	50,487	56,204	61,932		6.0	5.24	
	12,248	16,429	20,646	24,897	29,175	33,478	37,801	42,140	46,495	680	2.0	0.75	0.292
	13,574	18,185	22,832	27,506	32,206	36,927	41,667	46,422	51,190		3.0*	1.54	
	14,318										4.0	2.56	
	14,794	19,795	24,821	29,870	34,938	40,023	45,122	50,233	55,356		5.0	3.80	
	15,125	20,230	25,357	30,505	35,669	40,849	46,042	51,245	56,458		6.0	5.24	
	11,424	15,317	19,242	23,197	27,175	31,174	35,191	39,222	43,267	590	2.0	0.75	0.231
	12,522	16,769	21,045	25,346	29,667	34,006	38,361	42,728	47,108		3.0*	1.54	
	13,126										4.0	2.56	
	13,508	18,068	22,649	27,247	31,862	36,490	41,130	45,781	50,439		5.0	3.80	
	13,771	18,414	23,075	27,751	32,442	37,144	41,858	46,580	51,310		6.0	5.24	
9,855	13,203	16,574	19,966	23,376	26,801	30,239	33,689	37,147	450	2.0	0.75	0.147	
10,590	14,171	17,117	21,389	25,021	28,665	32,320	35,984	39,655		3.0*	1.54		
10,980	14,683	18,403	22,136	25,882	29,638	33,402	37,175	40,954		4.0	2.56		
11,221	15,001	18,793	22,597	26,411	30,235	34,066	37,903	41,747		5.0	3.80		
11,386	15,216	19,058	22,909	26,770	30,639	34,514	38,395	42,281		6.0	5.24		
AHW2-30/36-2N LL 1/2HP, 12x8T, 20" FH x 10" FL, 2 Row, 4 Circuit, 10 FPI	10,072	13,544	17,061	20,617	24,209	27,830	31,477	35,146	38,836	1,110	2.0	0.68	0.329
	11,344	15,233	19,164	23,132	27,132	31,160	35,212	39,284	43,376		3.0*	1.39	
	12,119										4.0	2.32	
	12,641	16,947	21,287	25,657	30,053	34,472	38,912	43,369	47,841		5.0	3.45	
	13,020	17,446	21,903	26,387	30,895	35,424	39,971	44,535	49,112		6.0	4.76	
	9,805	13,181	16,601	20,258	23,548	27,067	30,609	34,173	37,757	1,030	2.0	0.68	0.291
	11,000										3.0*	1.39	
	11,722										4.0	2.32	
	12,207	16,364	20,550	24,765	29,005	33,266	37,545	41,841	46,150		5.0	3.45	
	12,559	16,825	21,121	25,441	29,783	34,146	38,525	42,919	47,326		6.0	4.76	
	9,514	12,788	16,102	19,452	22,833	26,240	29,670	33,121	36,588	950	2.0	0.68	0.255
	10,629	14,266	17,940	21,646	25,381	29,140	32,900	36,718	40,532		3.0*	1.39	
	11,297										4.0	2.32	
	11,745	15,741	19,765	23,815	27,887	31,979	36,089	40,214	44,351		5.0	3.45	
	12,068	16,165	20,289	24,435	28,602	32,787	36,987	41,202	45,428		6.0	4.76	
	9,218	12,387	15,594	18,834	22,103	25,397	28,713	32,048	35,399	875	2.0	0.68	0.222
	10,254										3.0*	1.39	
	10,870										4.0	2.32	
	11,282										5.0	3.45	
	11,578	15,505	19,458	23,431	27,423	31,431	35,454	39,489	43,536		6.0	4.76	
8,872									795	2.0	0.68	0.189	
9,820										3.0*	1.39		
10,379										4.0	2.32		
10,751	14,403	18,078	21,775	25,491	29,223	32,969	36,727	40,497		5.0	3.45		
11,018	14,752	18,510	22,285	26,078	29,885	33,706	37,537	41,379		6.0	4.76		

All Technical Information Subject To Change Without Notice

For more information contact Customer Service 817-624-0820  
or your SunTherm Representative.

501 Terminal Road Fort Worth, Texas 76106 Ph. 817-624-0820 Fx. 817-624-8581

Performance Data - Hot Water Slab Coils HEATING PERFORMANCE DATA:													
HOT WATER WALL MOUNT MODEL NO.	HOT WATER CAPACITIES @70°F ENTERING AIR TEMPERATURE ENTERING WATER TEMPERATURE										PRESS. DROP WATER (FT-WTR)	PRESS. DROP AIR (IN-WC)	
	100°F	110°F	120°F	130°F	140°F	150°F	160°F	170°F	180°F	CFM			GPM
AHW2-30/36-3N LL 1/2HP, 12x8T, 20" FH x 10"FL, 3 Row, 5 Circuit, 10 FPI	12,718	17,099	21,537	26,024	30,552	35,118	39,714	44,339	48,986		2.0	0.55	
	14,552	19,541	24,585	29,675	34,808	39,975	45,174	50,398	55,647	1,110	3.0*	1.14	0.494
	15,672	21,026	26,429	31,876	37,362	42,880	48,428	53,999	59,592		4.0	1.89	
	16,429	22,025	27,668	33,351	39,068	44,816	50,590	56,388	62,204		5.0	2.81	
	16,977	22,747	28,560	34,409	40,291	46,201	52,136	58,090	64,064		6.0	3.89	
	12,383	16,647	20,963	25,326	29,729	34,167	38,635	43,129	47,646		2.0	0.55	
	14,097	18,927	23,807	28,732	33,696	38,693	43,719	48,770	53,843		3.0*	1.14	
	15,136	20,301	25,514	30,768	36,057	41,377	46,723	52,093	57,482	1,030	4.0	1.89	0.437
	15,834	21,223	26,655	32,124	37,626	43,156	48,710	54,285	59,878		5.0	2.81	
	16,336	21,886	27,473	33,095	38,747	44,424	50,123	55,843	61,578		6.0	3.89	
	12,017	16,151	20,335	24,563	28,829	33,128	37,456	41,808	46,181		2.0	0.55	
	13,607	18,263	22,968	27,714	32,495	37,309	42,148	47,012	51,894		3.0*	1.14	
	14,560	19,525	24,533	29,579	34,657	39,764	44,896	50,048	55,219		4.0	1.89	
	15,198	20,365	25,573	30,815	36,086	41,383	46,702	52,041	57,397	950	5.0	2.81	0.382
	15,654	20,967	26,316	31,696	37,103	42,533	47,984	53,452	58,936		6.0	3.89	
	11,641	15,642	19,690	23,779	27,905	32,061	36,244	40,450	44,677		2.0	0.55	
	13,108	17,589	22,116	26,680	31,278	35,904	40,555	45,229	49,920		3.0*	1.14	
	13,979	18,741	23,544	28,381	33,248	38,140	43,056	47,991	52,943		4.0	1.89	
	14,558	19,505	24,487	29,501	34,542	39,607	44,691	49,794	54,911		5.0	2.81	
	14,971	20,050	25,159	30,297	35,459	40,644	45,846	51,065	56,298	875	6.0	3.89	0.333
11,198	15,043	18,931	22,858	26,817	30,807	34,820	38,855	42,909		2.0	0.55		
12,528	16,807	21,126	25,480	29,864	34,275	38,709	43,162	47,631		3.0*	1.14		
13,310	17,839	22,404	27,001	31,625	36,272	40,940	45,624	50,325		4.0	1.89		
13,825	18,518	23,244	27,997	32,774	37,573	42,389	47,222	52,068		5.0	2.81		
14,191	19,001	23,838	28,701	33,586	38,489	43,410	48,344	53,291		6.0	3.89		
AHW2-30/36-4N LL 1/2HP, 12x8T, 20"FH x 10"FL, 4 Row, 5 Circuit, 10 FPI	14,991	20,131	23,187	29,145	35,151	41,198	47,280	53,393	59,530	795	2.0	0.75	0.284
	17,283	23,187	29,145	35,151	41,198	47,280	53,393	59,530	65,688		3.0*	1.54	
	18,644	25,018	31,425	37,877	44,366	50,888	57,439	64,013	70,608		4.0	2.56	
	19,586	26,238	32,938	39,679	46,455	53,262	60,095	66,950	73,825		5.0	3.80	
	20,245	27,108	34,015	40,960	47,937	54,942	61,972	69,022	76,090		6.0	5.24	
	14,588	19,588	24,639	29,736	34,870	40,039	45,235	50,455	55,693		2.0	0.75	
	16,717	22,423	28,181	33,983	39,823	45,696	51,598	57,522	63,468	1,110	3.0*	1.54	0.659
	17,986	24,105	30,272	36,481	42,725	48,999	55,299	61,622	67,965		4.0	2.56	
	18,827	25,217	31,651	38,122	44,626	51,158	57,714	64,291	70,885		5.0	3.80	
	19,426	26,007	32,628	39,283	45,969	52,680	59,413	66,165	72,933		6.0	5.24	
	14,145	18,989	23,883	28,818	33,792	38,796	43,826	48,880	53,950		2.0	0.75	
	16,103	21,595	27,135	32,716	38,333	43,979	49,652	55,348	61,062		3.0*	1.54	
	17,257	23,123	29,033	34,981	40,962	46,971	53,003	59,056	65,127	1,030	4.0	2.56	0.582
	18,016	24,126	30,275	36,459	42,673	48,912	55,173	61,452	67,748		5.0	3.80	
	18,554	24,835	31,152	37,500	43,875	50,274	56,693	63,129	69,579		6.0	5.24	
	13,688	18,371	23,101	27,871	32,676	37,511	42,371	47,251	52,149		2.0	0.75	
	15,479	20,753	26,071	31,427	36,816	42,234	47,675	53,137	58,615		3.0*	1.54	
	16,521	22,132	27,783	33,469	39,185	44,926	50,689	56,471	62,268		4.0	2.56	
	17,202	23,031	28,896	34,792	40,715	46,661	52,627	58,610	64,607	950	5.0	3.80	0.509
	17,683	23,664	29,678	35,719	41,786	47,873	53,979	60,100	66,234		6.0	5.24	
13,145	17,640	22,176	26,751	31,357	35,991	40,649	45,325	50,018		2.0	0.75		
14,751	19,771	24,833	29,928	35,053	40,204	45,376	50,567	55,774		3.0*	1.54		
15,672	20,990	26,343	31,728	37,139	42,572	48,026	53,496	58,980		4.0	2.56		
16,270	21,778	27,317	32,884	38,475	44,087	49,716	55,361	61,018		5.0	3.80		
16,689	22,329	27,997	33,691	39,406	45,140	50,889	56,652	62,427	875	6.0	5.24	0.444	

All Technical Information Subject To Change Without Notice

For more information contact Customer Service 817-624-0820  
or your SunTherm Representative.

501 Terminal Road Fort Worth, Texas 76106 Ph. 817-624-0820 Fx. 817-624-8581

