

Technical Guide

FOR USE WITH SPLIT SYSTEM COOLING ONLY.
ELECTRIC, HYDRONIC HEAT AND HEAT PUMPS.

Models:

SEHX/CEHX Direct Expansion Cooling/ Electric Heating

SDXW/CDXW Direct Expansion Cooling /Hot Water Heating

SCWE/CCWE Chilled Water Cooling /Electric Heating

SCWW/CCWW Chilled Water Cooling /Hot Water Heating

*SEE PAGE 2 FOR MODEL NOMENCLATURE



Description:

These air handlers are designed for horizontal mounting into a furred down ceiling, and will supply up to 1200 CFM and up to 3 tons of cooling with a DX cooling or heat pump coil, or chilled water coil.

For DX cooling requirements these air handlers can be matched with most manufacturer's condensing units and heat pumps.

The "S" series air handlers are exposed blower type, and the "C" series is equipped with an insulated cabinet over the top and sides. The bottom of the case is open to accommodate a filtered louvered access panel.

The cased units have a knockout for rear return air. Return air duct flanges and filter racks are field supplied.

Standard Features:

- PSC or ECM motor options available.
- Electric heat models are 208/240/1/60.
- Hot water heat models are 115/1/60.
- Water circulating pump is factory installed on hot water heat models.
- Space saving design.
- Galvanized steel blower wheels.
- Prewired for cooling and heating.
- Control transformer.
- Primary and secondary condensate drain pans.
- Easy access for service and maintenance.
- High efficiency copper tubes with aluminum fin coils.

Field Installed Options:

Louvered or non-louvered ceiling access panels.

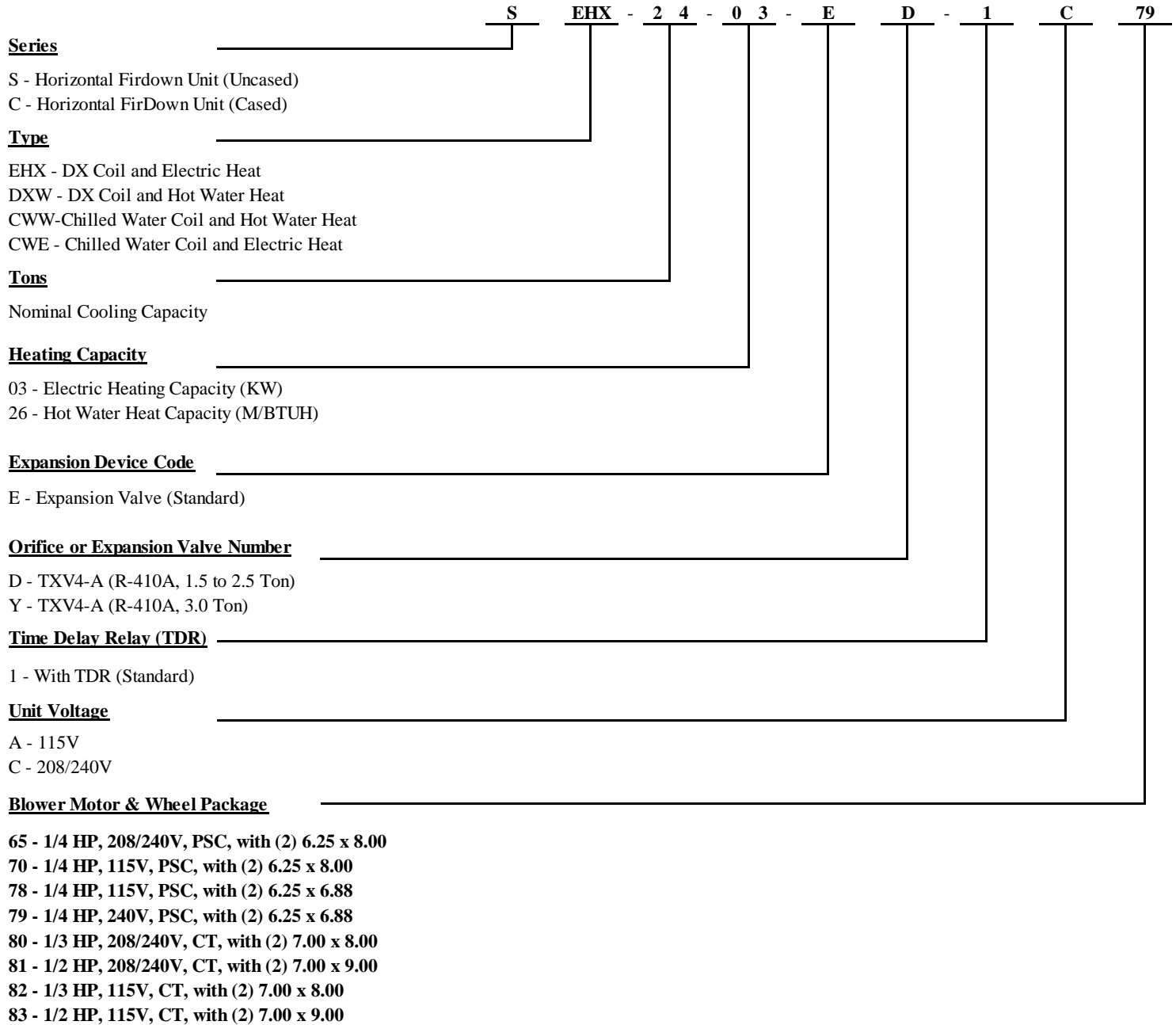
Factory Installed Options:

R410a Thermostatic expansion valve. Expansion valves are suitable for heat pump application.



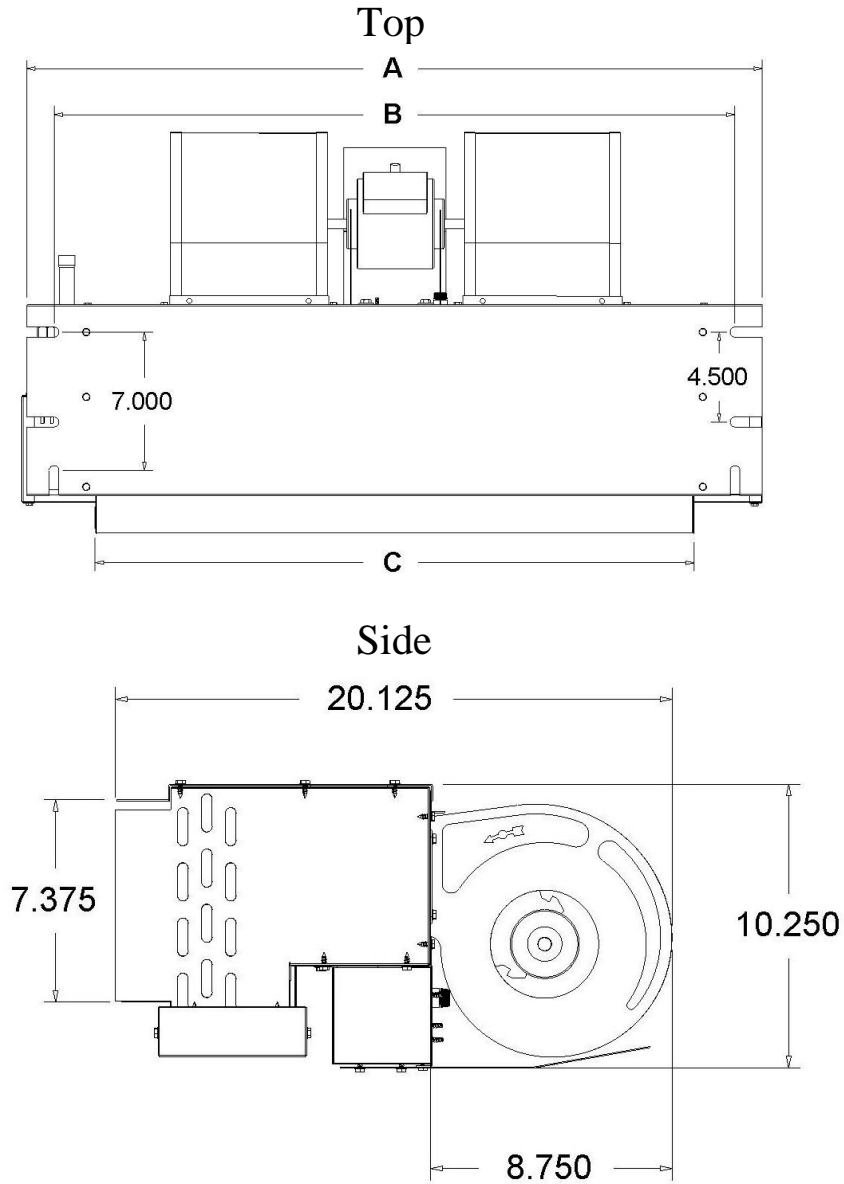
Mortex Products Inc.
501 Terminal Road
Fort Worth, TX 76106
800-444-6354
www.mortx.com

Unit Nomenclature



Mortex Products Inc.
 501 Terminal Road
 Fort Worth, TX 76106
 800-444-6354
 www.mortx.com

Physical Dimension Data-Uncased



SEHX, SCWE, SDXW, SCWW Dimensional Table

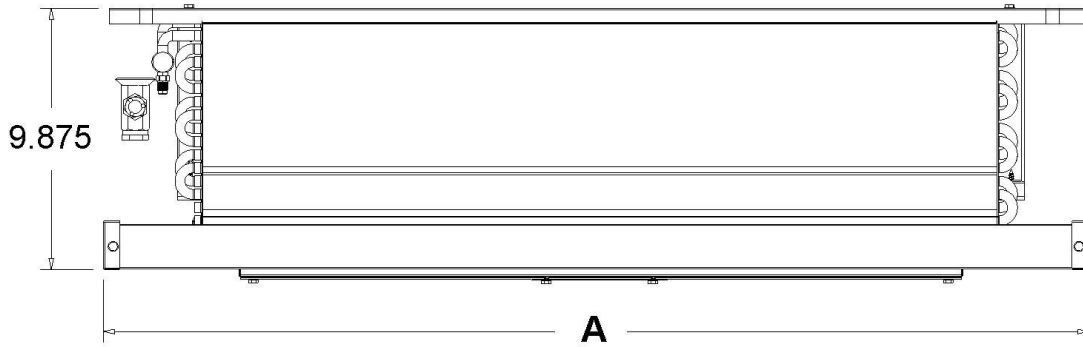
Model	A	B	C
18,19,24	37.00	34.25	30.00
25,30,31	45.00	42.25	38.00
34,35	49.00	46.25	42.00
36,37	56.00	53.25	49.00



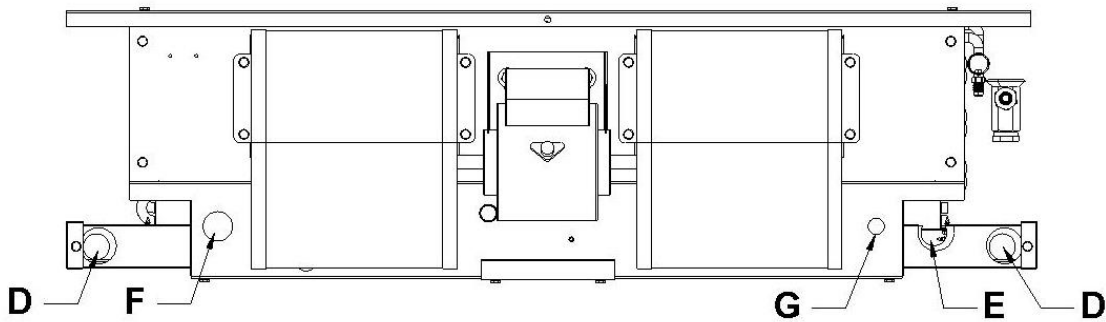
Mortex Products Inc.
 501 Terminal Road
 Fort Worth, TX 76106
 800-444-6354
 www.mortx.com

Physical Dimension Data-Uncased

Front



Rear



- D - 3/4" Male Drain Connection Primary
- E - 3/4" Male Drain Connection Secondary
- F - 7/8" Power Connection
- G - 9/16" Thermostat Connection

SEHX, SCWE, SDXW, SCWW Dimensional Table

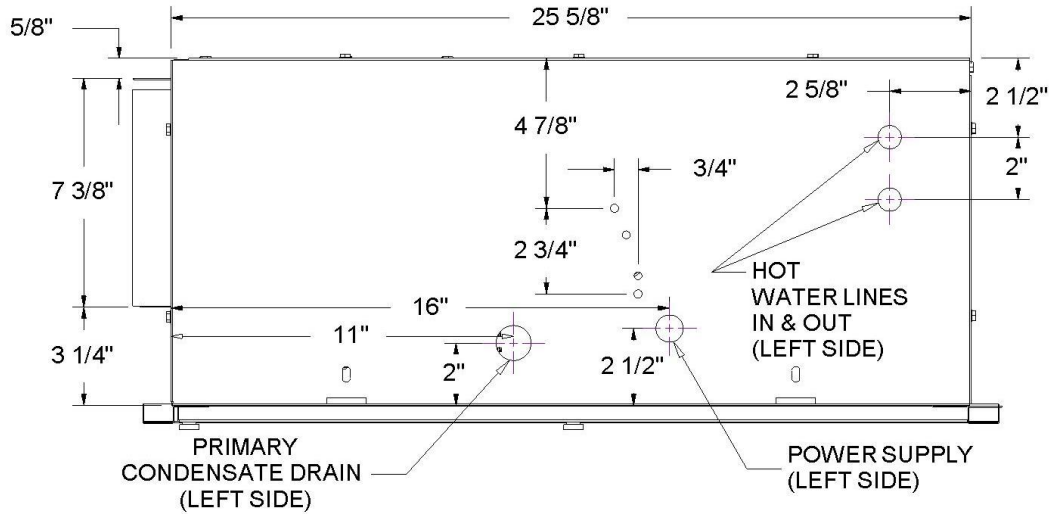
Model	A	B	C
18,19,24	37.00	34.25	30.00
25,30,31	45.00	42.25	38.00
34,35	49.00	46.25	42.00
36,37	56.00	53.25	49.00



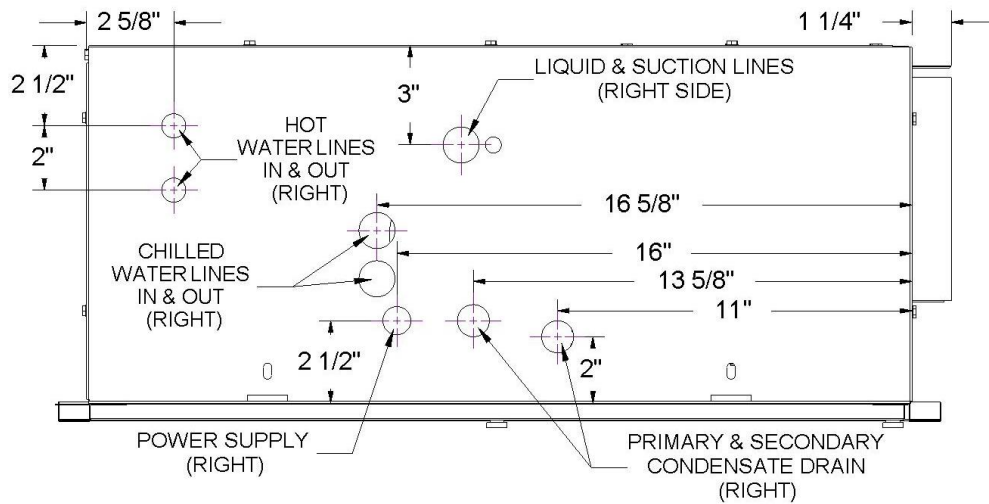
Mortex Products Inc.
 501 Terminal Road
 Fort Worth, TX 76106
 800-444-6354
 www.mortx.com

Cased Dimensional Data

Left Side

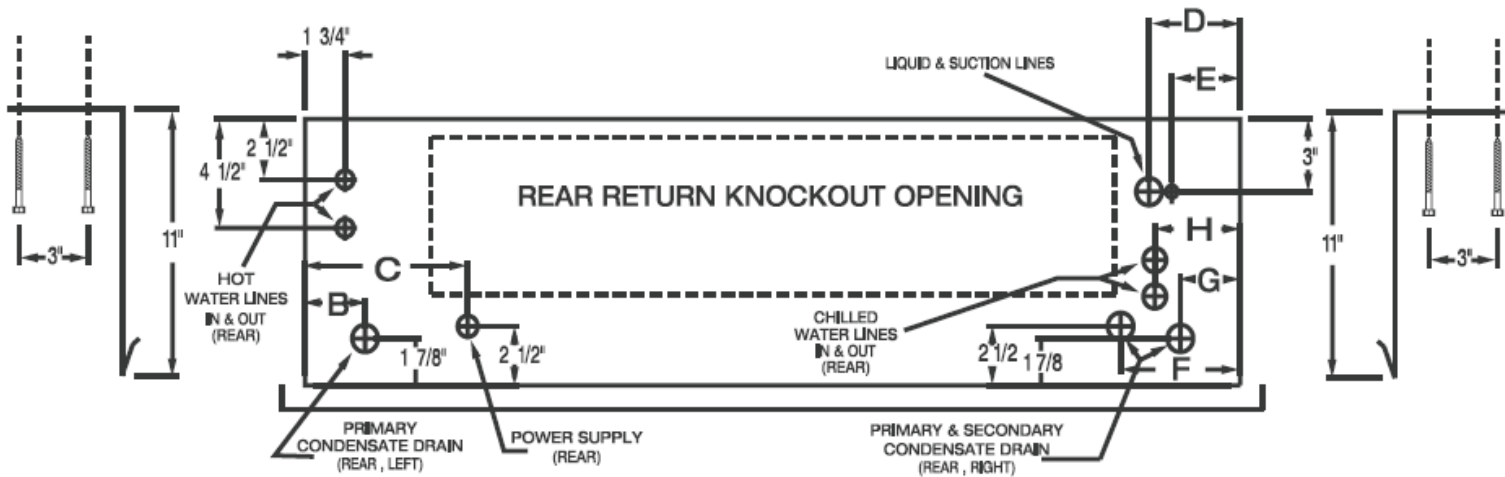
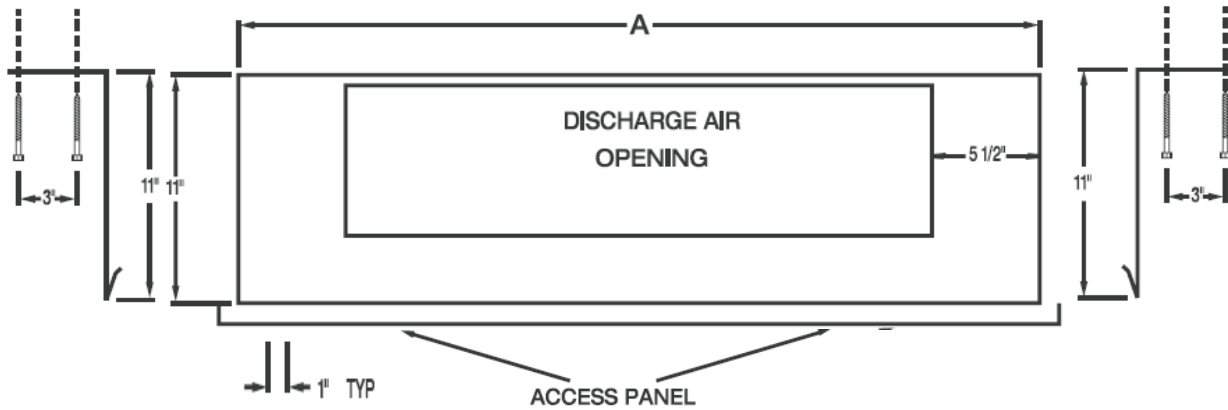


Right Side



Mortex Products Inc.
 501 Terminal Road
 Fort Worth, TX 76106
 800-444-6354
 www.mortx.com

Cased Dimensional Data



Model	A	B	C	D	E	F	G	H
18,19,24	41"	2-5/8"	7-1/8"	4"	3"	5-1/4"	2-5/8"	3-3/4"
25,30,31	47"	2"	10-1/2"	2-1/2"	1-1/2"	4-5/8"	2"	2-11/16"
34,35	53-1/2"	3-1/4"	13-3/4"	3-1/4"	2-3/4"	5-7/8"	3-1/4"	3-15/16"
36,37	60-1/2"	3-1/4"	17-1/2"	3-1/4"	2-3/4"	5-7/8"	3-1/4"	3-15/16"

Discharge Air	
18/19/24	30" x 7-1/4"
25/30/31	38" x 7-1/4"
34,35	42" x 7-1/4"
36,37	49" x 7-1/4"

Rear Return Knockout Opening	
18/19/24	30" x 6-1/2"
25/30/31	38" x 6-1/2"
34,35	42" x 6-1/2"
36,37	49" x 6-1/2"



Mortex Products Inc.
 501 Terminal Road
 Fort Worth, TX 76106
 800-444-6354
 www.mortx.com

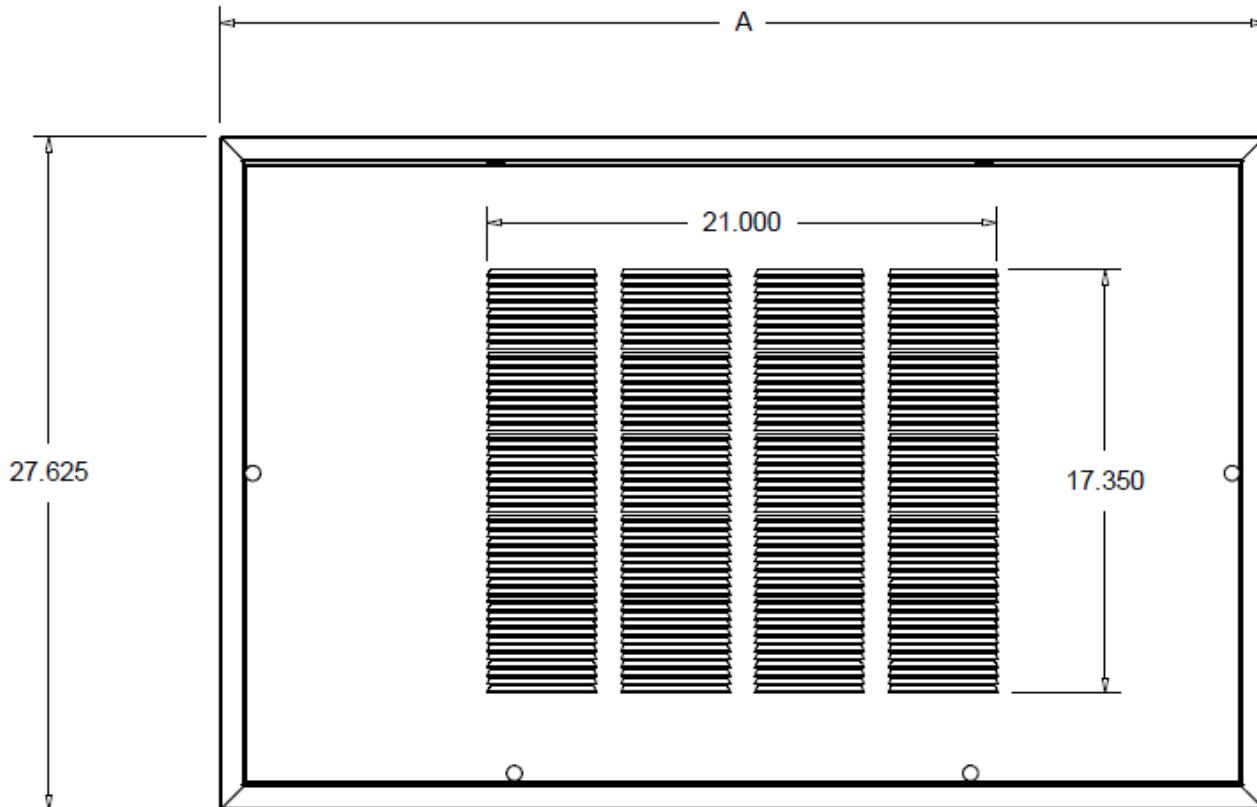
Suntherm Ceiling Access Panels

Ceiling Panels	Description	Shipping Weights
CPNL1	Solid Panel - Fits HEU/C (A body) or C/SEHX-18/19/24	18 LB
CPNL2	Solid Panel - Fits HEU/C (B body) or C/SEHX-25/31	20 LB
CPNL3	Solid Panel - Fits HEU/C (C body) or C/SEHX-34/35	21 LB
CPNL4	Solid Panel - Fits HEU/C (D body) or C/SEHX-36/37	22 LB
CPL1	Louvered Panel - Fits C/SEHX-18/19/24 (PSC motor)	18 LB
CPL2	Louvered Panel - Fits C/SEHX-25/31 (PSC motor)	20 LB
CPL3	Louvered Panel - Fits C/SEHX-34/35 (PSC motor)	21 LB
CPL4	Louvered Panel - Fits C/SEHX-36/37 (PSC motor)	22 LB
HCPL1	Louvered Panel - HEC/U (A body) or C/SEHX18/19/24 with ECM	18 LB
HCPL2	Louvered Panel - HEC/U (B body) or C/SEHX25/31 with ECM	20 LB
HCPL3	Louvered Panel - HEC/U (C body) or C/SEHX34/35 with ECM	21 LB
HCPL4	Louvered Panel - HEC/U (D body) or C/SEHX36/37 with ECM	22 LB



Mortex Products Inc.
501 Terminal Road
Fort Worth, TX 76106
800-444-6354
www.mortx.com

CPL Louvered Panel

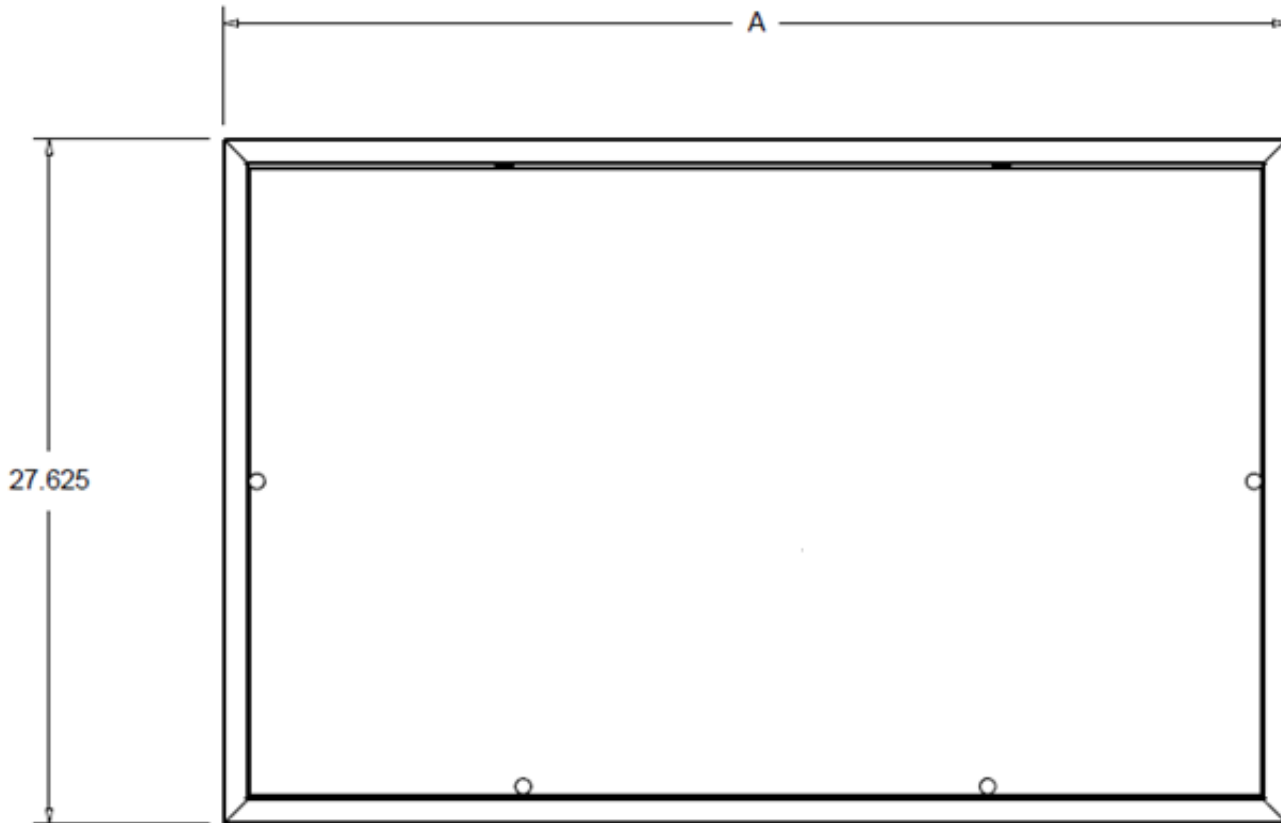


Model	"A" Dimension	Model	Filters
CPL1	43"	CPL1	(1) 16x20x1
CPL2	49"	CPL2	(1) 16x20x1
CPL3	55-1/2"	CPL3	(1) 16x20x1
CPL4	62-1/2"	CPL4	(1) 16x20x1



Mortex Products Inc.
501 Terminal Road
Fort Worth, TX 76106
800-444-6354
www.mortx.com

CPNL Non-Louvered Panel



Model	"A" Dimension
CPNL1	43"
CPNL2	49"
CPNL3	55-1/2"
CPNL4	62-1/2"



Mortex Products Inc.
501 Terminal Road
Fort Worth, TX 76106
800-444-6354
www.mortx.com

HCPL Louvered Panel



Model	"A" Dimension	Model	Filters
HCPL1	43"	HCPL1	(2) 16x16x1
HCPL2	49"	HCPL2	(2) 16x20x1
HCPL3	55-1/2"	HCPL3	(2) 16x25x1
HCPL4	62-1/2"	HCPL4	(2) 16x25x1



Mortex Products Inc.
501 Terminal Road
Fort Worth, TX 76106
800-444-6354
www.mortx.com

SEHX, CEHX, SCWE, CCWE PSC Fan Data (3 and 4 Row DX)
208/240VAC

Model	Motor HP	DX Rows	CFM @ External Static Pressure					
			0.00"	0.10"	0.15"	0.20"	0.25"	0.30"
18-**-**-1C79	1/4HP	3	810	785	740	720	700	680
19-**-**-1C79	1/4HP	4	910	880	830	805	785	765
24-**-**-1C79	1/4HP	3	950	920	875	850	825	805
25-**-**-1C65	1/4HP	4	1160	1130	1070	1040	1020	985
30-**-**-1C65	1/4HP	3	1180	1145	1085	1055	1025	1000
31-**-**-1C65	1/4HP	4	1160	1130	1070	1040	1020	985
34-**-**-1C65	1/4HP	3	1256	1212	1133	1084	1059	1029
35-**-**-1C65	1/4HP	4	1216	1172	1108	1049	1024	995
36-**-**-1C65	1/4HP	3	1275	1230	1150	1100	1075	1045
37-**-**-1C65	1/4HP	4	1235	1190	1125	1065	1040	1010

SDXW, CDXW, SCWW, CCWW PSC Fan Data (3 and 4 Row DX)
120VAC

Model	Motor HP	DX Rows	CFM @ External Static Pressure					
			0.00"	0.10"	0.15"	0.20"	0.25"	0.30"
18-21-**-1A78	1/4HP	3	794	769	728	706	686	667
19-21-**-1A78	1/4HP	4	892	862	813	789	769	750
24-23-**-1A78	1/4HP	3	931	902	858	833	809	789
25-23-**-1A70	1/4HP	4	1137	1107	1049	1019	1000	965
30-27-**-1A70	1/4HP	3	1156	1122	1063	1034	1005	980
31-28-**-1A70	1/4HP	4	1137	1107	1049	1019	1000	965
34-30-**-1A70	1/4HP	3	1231	1188	1110	1062	1038	1008
35-30-**-1A70	1/4HP	4	1192	1149	1086	1028	1004	975
36-32-**-1A70	1/4HP	3	1250	1205	1127	1078	1054	1024
37-32-**-1A70	1/4HP	4	1210	1166	1103	1044	1019	990

SEHX, CEHX, SCWE, CCWE PSC Fan Data (5 Row DX)
208/240VAC

Model	Motor HP	DX Rows	CFM @ External Static Pressure (HIGH Speed)					
			0.10"	0.20"	0.25"	0.30"	0.40"	0.50"
19-**-**-1C79	1/4HP	5 Row	798	739	702	662	585	482
25-**-**-1C65	1/4HP	5 Row	914	835	794	743	648	521
35-**-**-1C65	1/4HP	5 Row	968	874	831	787	689	570

			<p>Mortx Products Inc. 501 Terminal Road Fort Worth, TX 76106 800-444-6354 www.mortx.com</p>
---	---	--	--

SEHX, CEHX, SCWE, CCWE ECM Fan Data (5 Row DX)
208/240VAC

Model	Motor HP	DX Rows	CFM @ External Static Pressure (Tap 5)					
			0.10"	0.20"	0.25"	0.30"	0.40"	0.50"
19-**-**-1C80	1/3HP	5 Row	921	876	859	842	788	742
25-**-**-1C81	1/2HP	5 Row	1110	1047	1005	993	925	873
35-**-**-1C81	1/2HP	5 Row	1369	1307	1262	1226	1157	1089
37-**-**-1C81	1/2HP	5 Row	1415	1364	1321	1287	1220	1155
Model	Motor HP	DX Rows	CFM @ External Static Pressure (Tap 4)					
			0.10"	0.20"	0.25"	0.30"	0.40"	0.50"
19-**-**-1C80	1/3HP	5 Row	821	777	754	738	689	640
25-**-**-1C81	1/2HP	5 Row	1010	932	896	877	821	758
35-**-**-1C81	1/2HP	5 Row	1262	1200	1162	1135	1077	1010
37-**-**-1C81	1/2HP	5 Row	1277	1215	1204	1166	1098	1045
Model	Motor HP	DX Rows	CFM @ External Static Pressure (Tap 3)					
			0.10"	0.20"	0.25"	0.30"	0.40"	0.50"
19-**-**-1C80	1/3HP	5 Row	761	722	697	676	626	578
25-**-**-1C81	1/2HP	5 Row	896	818	789	777	694	641
35-**-**-1C81	1/2HP	5 Row	1173	1095	1065	1035	965	889
37-**-**-1C81	1/2HP	5 Row	1177	1122	1093	1063	1001	934
Model	Motor HP	DX Rows	CFM @ External Static Pressure (Tap 2)					
			0.10"	0.20"	0.25"	0.30"	0.40"	0.50"
19-**-**-1C80	1/3HP	5 Row	640	583	557	530	478	465
25-**-**-1C81	1/2HP	5 Row	749	680	646	625	550	492
35-**-**-1C81	1/2HP	5 Row	1059	971	951	910	822	749
37-**-**-1C81	1/2HP	5 Row	1069	1001	961	920	855	777
Model	Motor HP	DX Rows	CFM @ External Static Pressure (Tap 1)					
			0.10"	0.20"	0.25"	0.30"	0.40"	0.50"
19-**-**-1C80	1/3HP	5 Row	562	502	478	453	402	352
25-**-**-1C81	1/2HP	5 Row	611	540	497	486	410	352
35-**-**-1C81	1/2HP	5 Row	978	896	852	814	732	677
37-**-**-1C81	1/2HP	5 Row	987	913	870	840	760	698

			<p>Mortx Products Inc. 501 Terminal Road Fort Worth, TX 76106 800-444-6354 www.mortx.com</p>
---	---	--	--

SEHX AND CEHX Physical Data (PSC Version)

Model	Motor HP	DX Rows	CW Rows	HW Rows	Suction Conn.	Liquid Conn.	CW Conn.	HW Conn.	Shipping Weight
18	1/4HP	3	N/A	N/A	3/4"	3/8"	N/A	N/A	60 LB
19	1/4HP	4	N/A	N/A	3/4"	3/8"	N/A	N/A	65 LB
24	1/4HP	3	N/A	N/A	3/4"	3/8"	N/A	N/A	60 LB
25	1/4HP	4	N/A	N/A	3/4"	3/8"	N/A	N/A	75 LB
30	1/4HP	3	N/A	N/A	3/4"	3/8"	N/A	N/A	70 LB
31	1/4HP	4	N/A	N/A	3/4"	3/8"	N/A	N/A	75 LB
34	1/4HP	3	N/A	N/A	3/4"	3/8"	N/A	N/A	74 LB
35	1/4HP	4	N/A	N/A	3/4"	3/8"	N/A	N/A	80 LB
36	1/4HP	3	N/A	N/A	3/4"	3/8"	N/A	N/A	85 LB
37	1/4HP	4	N/A	N/A	3/4"	3/8"	N/A	N/A	90 LB

SDXW AND CDXW Physical Data (PSC Version)

Model	Motor HP	DX Rows	CW Rows	HW Rows	Suction Conn.	Liquid Conn.	CW Conn.	HW Conn.	Shipping Weight
18	1/4HP	3	N/A	2	3/4"	3/8"	N/A	5/8"	92 LB
19	1/4HP	4	N/A	2	3/4"	3/8"	N/A	5/8"	97 LB
24	1/4HP	3	N/A	2	3/4"	3/8"	N/A	5/8"	92 LB
25	1/4HP	4	N/A	2	3/4"	3/8"	N/A	5/8"	107 LB
30	1/4HP	3	N/A	2	3/4"	3/8"	N/A	5/8"	102 LB
31	1/4HP	4	N/A	2	3/4"	3/8"	N/A	5/8"	107 LB
34	1/4HP	3	N/A	2	3/4"	3/8"	N/A	5/8"	106 LB
35	1/4HP	4	N/A	2	3/4"	3/8"	N/A	5/8"	112 LB
36	1/4HP	3	N/A	2	3/4"	3/8"	N/A	5/8"	117 LB
37	1/4HP	4	N/A	2	3/4"	3/8"	N/A	5/8"	122 LB

SCWE AND CCWE Physical Data (PSC Version)

Model	Motor HP	DX Rows	CW Rows	HW Rows	Suction Conn.	Liquid Conn.	CW Conn.	HW Conn.	Shipping Weight
18	1/4HP	N/A	4	N/A	N/A	N/A	5/8"	N/A	65 LB
19	1/4HP	N/A	5	N/A	N/A	N/A	5/8"	N/A	70 LB
24	1/4HP	N/A	4	N/A	N/A	N/A	5/8"	N/A	65 LB
25	1/4HP	N/A	5	N/A	N/A	N/A	5/8"	N/A	80 LB
30	1/4HP	N/A	4	N/A	N/A	N/A	5/8"	N/A	75 LB
31	1/4HP	N/A	5	N/A	N/A	N/A	5/8"	N/A	80 LB
34	1/4HP	N/A	4	N/A	N/A	N/A	5/8"	N/A	79 LB
35	1/4HP	N/A	5	N/A	N/A	N/A	5/8"	N/A	85 LB
36	1/4HP	N/A	4	N/A	N/A	N/A	5/8"	N/A	90 LB
37	1/4HP	N/A	5	N/A	N/A	N/A	5/8"	N/A	95 LB

			<p>Mortx Products Inc. 501 Terminal Road Fort Worth, TX 76106 800-444-6354 www.mortx.com</p>
---	---	--	--

SCWW AND CCWW Physical Data (PSC Version)

Model	Motor HP	DX Rows	CW Rows	HW Rows	Suction Conn.	Liquid Conn.	CW Conn.	HW Conn.	Shipping Weight
18	1/4HP	N/A	4	2	N/A	N/A	5/8"	5/8"	93 LB
19	1/4HP	N/A	5	2	N/A	N/A	5/8"	5/8"	100 LB
24	1/4HP	N/A	4	2	N/A	N/A	5/8"	5/8"	93 LB
25	1/4HP	N/A	5	2	N/A	N/A	5/8"	5/8"	108 LB
30	1/4HP	N/A	4	2	N/A	N/A	5/8"	5/8"	103 LB
31	1/4HP	N/A	5	2	N/A	N/A	5/8"	5/8"	108 LB
34	1/4HP	N/A	4	2	N/A	N/A	5/8"	5/8"	107 LB
35	1/4HP	N/A	5	2	N/A	N/A	5/8"	5/8"	113 LB
36	1/4HP	N/A	4	2	N/A	N/A	5/8"	5/8"	118 LB
37	1/4HP	N/A	5	2	N/A	N/A	5/8"	5/8"	123 LB

SEHX AND CEHX Physical Data (ECM Version)

Model	Motor HP	DX Rows	CW Rows	HW Rows	Suction Conn.	Liquid Conn.	CW Conn.	HW Conn.	Shipping Weight
18	1/3HP	4	N/A	N/A	3/4"	3/8"	N/A	N/A	70 LB
19	1/3HP	5	N/A	N/A	3/4"	3/8"	N/A	N/A	75 LB
24	1/3HP	4	N/A	N/A	3/4"	3/8"	N/A	N/A	70 LB
25	1/2HP	5	N/A	N/A	3/4"	3/8"	N/A	N/A	85 LB
30	1/2HP	4	N/A	N/A	3/4"	3/8"	N/A	N/A	80 LB
31	1/2HP	5	N/A	N/A	3/4"	3/8"	N/A	N/A	85 LB
34	1/2HP	4	N/A	N/A	3/4"	3/8"	N/A	N/A	84 LB
35	1/2HP	5	N/A	N/A	3/4"	3/8"	N/A	N/A	90 LB
36	1/2HP	4	N/A	N/A	3/4"	3/8"	N/A	N/A	95 LB
37	1/2HP	5	N/A	N/A	3/4"	3/8"	N/A	N/A	100 LB

SDXW AND CDXW Physical Data (ECM Version)

Model	Motor HP	DX Rows	CW Rows	HW Rows	Suction Conn.	Liquid Conn.	CW Conn.	HW Conn.	Shipping Weight
18	1/3HP	4	N/A	2	3/4"	3/8"	N/A	5/8"	102 LB
19	1/3HP	5	N/A	2	3/4"	3/8"	N/A	5/8"	107 LB
24	1/3HP	4	N/A	2	3/4"	3/8"	N/A	5/8"	102 LB
25	1/2HP	5	N/A	2	3/4"	3/8"	N/A	5/8"	117 LB
30	1/2HP	4	N/A	2	3/4"	3/8"	N/A	5/8"	112 LB
31	1/2HP	5	N/A	2	3/4"	3/8"	N/A	5/8"	117 LB
34	1/2HP	4	N/A	2	3/4"	3/8"	N/A	5/8"	116 LB
35	1/2HP	5	N/A	2	3/4"	3/8"	N/A	5/8"	122 LB
36	1/2HP	4	N/A	2	3/4"	3/8"	N/A	5/8"	127 LB
37	1/2HP	5	N/A	2	3/4"	3/8"	N/A	5/8"	132 LB

			<p>Mortex Products Inc. 501 Terminal Road Fort Worth, TX 76106 800-444-6354 www.mortx.com</p>
---	---	--	---

SCWE AND CCWE Physical Data (ECM Version)

Model	Motor HP	DX Rows	CW Rows	HW Rows	Suction Conn.	Liquid Conn.	CW Conn.	HW Conn.	Shipping Weight
18	1/3HP	N/A	4	N/A	N/A	N/A	5/8"	N/A	70 LB
19	1/3HP	N/A	5	N/A	N/A	N/A	5/8"	N/A	75 LB
24	1/3HP	N/A	4	N/A	N/A	N/A	5/8"	N/A	70 LB
25	1/2HP	N/A	5	N/A	N/A	N/A	5/8"	N/A	85 LB
30	1/2HP	N/A	4	N/A	N/A	N/A	5/8"	N/A	80 LB
31	1/2HP	N/A	5	N/A	N/A	N/A	5/8"	N/A	85 LB
34	1/2HP	N/A	4	N/A	N/A	N/A	5/8"	N/A	84 LB
35	1/2HP	N/A	5	N/A	N/A	N/A	5/8"	N/A	90 LB
36	1/2HP	N/A	4	N/A	N/A	N/A	5/8"	N/A	95 LB
37	1/2HP	N/A	5	N/A	N/A	N/A	5/8"	N/A	100 LB

SCWW AND CCWW Physical data (ECM Version)

Model	Motor HP	DX Rows	CW Rows	HW Rows	Suction Conn.	Liquid Conn.	CW Conn.	HW Conn.	Shipping Weight
18	1/3HP	N/A	4	2	N/A	N/A	5/8"	5/8"	105 LB
19	1/3HP	N/A	5	2	N/A	N/A	5/8"	5/8"	110 LB
24	1/3HP	N/A	4	2	N/A	N/A	5/8"	5/8"	105 LB
25	1/2HP	N/A	5	2	N/A	N/A	5/8"	5/8"	120 LB
30	1/2HP	N/A	4	2	N/A	N/A	5/8"	5/8"	115 LB
31	1/2HP	N/A	5	2	N/A	N/A	5/8"	5/8"	120 LB
34	1/2HP	N/A	4	2	N/A	N/A	5/8"	5/8"	119 LB
35	1/2HP	N/A	5	2	N/A	N/A	5/8"	5/8"	125 LB
36	1/2HP	N/A	4	2	N/A	N/A	5/8"	5/8"	130 LB
37	1/2HP	N/A	5	2	N/A	N/A	5/8"	5/8"	135 LB



Mortex Products Inc.
 501 Terminal Road
 Fort Worth, TX 76106
 800-444-6354
 www.mortx.com

Electric Heat Data

Furnace Model	Motor Code	Motor HP	Volts 1 Ph	Motor Type	Motor Amps 240V	Motor Amps 208V	Electric Heater Data				Total Load					Minimum Circuit Ampacity					Maximum Overcurrent Protection							
							No Circuits	KW 240V	KW 208V	KW Amps 240V	KW Amps 208V	Amps 115V	Amps 208V	Amps 208V	Amps 240V	Amps 240V	MCA 115V	MCA 208V	MCA 208V	MCA 240V	MCA 240V	MOCP 115V	MOCP 208V	MOCP 208V	MOCP 240V	MOCP 240V		
																											Cr 1	Cr 1
SEHX-12/15/18/19/24	-1C79	1/4	208/240	PSC	1.20	1.02	1	0.0	0.0	0.0	0.0	-	1.02	-	1.20	-	-	1.28	-	1.50	-	-	15	-	15	-		
								3.0	2.3	12.5	10.9	-	11.9	-	13.7	-	-	14.9	-	17.1	-	-	15	-	20	-	-	-
								5.0	3.8	20.8	18.2	-	19.2	-	22.0	-	-	24.0	-	27.5	-	-	25	-	30	-	-	-
								6.0	4.5	25.0	21.9	-	22.9	-	26.2	-	-	28.7	-	32.8	-	-	30	-	35	-	-	-
								8.0	6.0	33.3	29.2	-	30.2	-	34.5	-	-	37.8	-	43.1	-	-	40	-	45	-	-	-
SEHX-18/19/24	-1C80	1/3	208/240	CT	0.74	0.85	1	0.0	0.0	0.0	0.0	-	0.85	-	0.74	-	-	1.06	-	0.93	-	-	15	-	15	-		
								3.0	2.3	12.5	10.9	-	11.8	-	13.2	-	-	14.7	-	16.6	-	-	20	-	20	-	-	-
								5.0	3.8	20.8	18.2	-	19.1	-	21.5	-	-	23.8	-	26.9	-	-	25	-	30	-	-	-
								6.0	4.5	25.0	21.9	-	22.8	-	25.7	-	-	28.4	-	32.2	-	-	30	-	35	-	-	-
								8.0	6.0	33.3	29.2	-	30.1	-	34.0	-	-	37.6	-	42.6	-	-	40	-	45	-	-	-
SEHX-25/30/31	-1C65	1/4	208/240	PSC	1.20	1.02	1	0.0	0.0	0.0	0.0	-	1.02	-	1.20	-	-	1.28	-	1.50	-	-	15	-	15	-		
								3.0	2.3	12.5	10.9	-	11.9	-	13.7	-	-	14.9	-	17.1	-	-	20	-	20	-	-	-
								5.0	3.8	20.8	18.2	-	19.2	-	22.0	-	-	24.0	-	27.5	-	-	25	-	30	-	-	-
								6.0	4.5	25.0	21.9	-	22.9	-	26.2	-	-	28.7	-	32.8	-	-	30	-	35	-	-	-
								8.0	6.0	33.3	29.2	-	30.2	-	34.5	-	-	37.8	-	43.1	-	-	40	-	45	-	-	-
SEHX-25/30/31	-1C81	1/2	208/240	CT	0.82	0.94	1	0.0	0.0	0.0	0.0	-	0.94	-	0.82	-	-	1.18	-	1.03	-	-	15	-	15	-		
								3.0	2.3	12.5	10.9	-	11.8	-	13.3	-	-	14.8	-	16.7	-	-	15	-	20	-	-	-
								5.0	3.8	20.8	18.2	-	19.1	-	21.6	-	-	23.9	-	27.0	-	-	25	-	30	-	-	-
								6.0	4.5	25.0	21.9	-	22.8	-	25.8	-	-	28.6	-	32.3	-	-	30	-	35	-	-	-
								8.0	6.0	33.3	29.2	-	30.1	-	34.1	-	-	37.7	-	42.7	-	-	40	-	45	-	-	-
SEHX-34/35	-1C65	1/4	208/240	PSC	1.20	1.02	1	0.0	0.0	0.0	0.0	-	1.02	-	1.20	-	-	1.28	-	1.50	-	-	15	-	15	-		
								3.0	2.3	12.5	10.9	-	11.9	-	13.7	-	-	14.9	-	17.1	-	-	20	-	20	-	-	-
								5.0	3.8	20.8	18.2	-	19.2	-	22.0	-	-	24.0	-	27.5	-	-	25	-	30	-	-	-
								6.0	4.5	25.0	21.9	-	22.9	-	26.2	-	-	28.7	-	32.8	-	-	30	-	35	-	-	-
								8.0	6.0	33.3	29.2	-	30.2	-	34.5	-	-	37.8	-	43.1	-	-	40	-	45	-	-	-
SEHX-34/35	-1C81	1/2	208/240	CT	1.13	1.30	1	0.0	0.0	0.0	0.0	-	1.30	-	1.13	-	-	1.62	-	1.41	-	-	15	-	15	-		
								3.0	2.3	12.5	10.9	-	12.2	-	13.6	-	-	15.2	-	17.0	-	-	20	-	20	-	-	-
								5.0	3.8	20.8	18.2	-	19.5	-	21.9	-	-	24.4	-	27.4	-	-	25	-	30	-	-	-
								6.0	4.5	25.0	21.9	-	23.2	-	26.1	-	-	29.0	-	32.7	-	-	30	-	35	-	-	-
								8.0	6.0	33.3	29.2	-	30.5	-	34.4	-	-	38.1	-	43.0	-	-	40	-	45	-	-	-
SEHX-36/37	-1C65	1/4	208/240	PSC	1.20	1.02	1	0.0	0.0	0.0	0.0	-	1.02	-	1.20	-	-	1.28	-	1.50	-	-	15	-	15	-		
								3.0	2.3	12.5	10.9	-	11.9	-	13.7	-	-	14.9	-	17.1	-	-	20	-	20	-	-	-
								5.0	3.8	20.8	18.2	-	19.2	-	22.0	-	-	24.0	-	27.5	-	-	25	-	30	-	-	-
								6.0	4.5	25.0	21.9	-	22.9	-	26.2	-	-	28.7	-	32.8	-	-	30	-	35	-	-	-
								8.0	6.0	33.3	29.2	-	30.2	-	34.5	-	-	37.8	-	43.1	-	-	40	-	45	-	-	-
SEHX-36/37	-1C81	1/2	208/240	CT	1.09	1.25	1	0.0	0.0	0.0	0.0	-	1.25	-	1.09	-	-	1.57	-	1.36	-	-	15	-	15	-		
								3.0	2.3	12.5	10.9	-	12.2	-	13.6	-	-	15.2	-	17.0	-	-	20	-	20	-	-	-
								5.0	3.8	20.8	18.2	-	19.5	-	21.9	-	-	24.3	-	27.4	-	-	25	-	30	-	-	-
								6.0	4.5	25.0	21.9	-	23.2	-	26.1	-	-	28.9	-	32.6	-	-	30	-	35	-	-	-
								8.0	6.0	33.3	29.2	-	30.5	-	34.4	-	-	38.1	-	43.0	-	-	40	-	45	-	-	-



Mortx Products Inc.
 501 Terminal Road
 Fort Worth, TX 76106
 800-444-6354
 www.mortx.com

Electrical Data (Hot Water Heat)
SDXW, CDXW, SCWW, CCWW

Furnace Model	Motor Code	Motor HP	Volts 1 Ph	Motor Type	Motor Amps 115V	Pump Amps 115V	Total Load					Minimum Circuit Ampacity					Maximum Overcurrent Protection				
							Amps 115V	Amps 208V	Amps 208V	Amps 240V	Amps 240V	MCA 115V	MCA 208V	MCA 208V	MCA 240V	MCA 240V	MOCP 115V (3,4)	MOCP 208V (3,4)	MOCP 208V (3,4)	MOCP 240V (3,4)	MOCP 240V (3,4)
							Cr 1	Cr 1	Cr 2	Cr 1	Cr 2	Cr 1	Cr 1	Cr 2	Cr 1	Cr 2	Cr 1	Cr 1	Cr 2	Cr 1	Cr 2
SDXW-12	-1A78	1/4	115	PSC	3.30	0.52	3.82	-	-	-	-	4.78	-	-	-	-	15	-	-	-	-
SDXW-18	-1A78	1/4	115	PSC	3.30	0.52	3.82	-	-	-	-	4.78	-	-	-	-	15	-	-	-	-
SDXW-19	-1A78	1/4	115	PSC	3.30	0.52	3.82	-	-	-	-	4.78	-	-	-	-	15	-	-	-	-
SDXW-24	-1A78	1/4	115	PSC	3.30	0.52	3.82	-	-	-	-	4.78	-	-	-	-	15	-	-	-	-
SDXW-25	-1A70	1/4	115	PSC	3.30	0.52	3.82	-	-	-	-	4.78	-	-	-	-	15	-	-	-	-
SDXW-30	-1A70	1/4	115	PSC	3.30	0.52	3.82	-	-	-	-	4.78	-	-	-	-	15	-	-	-	-
SDXW-31	-1A70	1/4	115	PSC	3.30	0.52	3.82	-	-	-	-	4.78	-	-	-	-	15	-	-	-	-
SDXW-34	-1A70	1/4	115	PSC	3.30	0.52	3.82	-	-	-	-	4.78	-	-	-	-	15	-	-	-	-
SDXW-35	-1A70	1/4	115	PSC	3.30	0.52	3.82	-	-	-	-	4.78	-	-	-	-	15	-	-	-	-
SDXW-36	-1A70	1/4	115	PSC	3.30	0.52	3.82	-	-	-	-	4.78	-	-	-	-	15	-	-	-	-
SDXW-37	-1A70	1/4	115	PSC	3.30	0.52	3.82	-	-	-	-	4.78	-	-	-	-	15	-	-	-	-



Mortx Products Inc.
501 Terminal Road
Fort Worth, TX 76106
800-444-6354
www.mortx.com

Chilled Water Cooling Capacity SCWE, CCWE, SCWW, CCWW

Model Number	CFM	Cooling Capacity @ EWT				PD Water (Ft. Wtr)	PD Air (INWC)	
		GPM	80°F / 67°F / 45°F		80°F / 67°F / 42°F			
			Total	Sensible	Total			Sensible
SCWE/CCWE18 SCWW/CCWW18	600	2.0	14700	12900	15800	13400	1.2	0.29"
		3.0	18100	14600	19700	15300	2.6	
		4.0	20600	15800	22700	16600	4.4	
		5.0	22600	16700	25000	17600	6.8	
		6.0	24200	17300	26882	18400	9.6	
SCWE/CCWE19 SCWW/CCWW19	600	2.0	17900	14500	19400	15000	2.1	0.35"
		3.0	21500	16000	23500	16900	4.6	
		4.0	24100	17100	26600	18200	7.9	
		5.0	26000	17900	28300	19100	12.0	
		6.0	27400	18500	30600	19900	17.0	
SCWE/CCWE24 SCWW/CCWW24	800	2.0	16400	15000	17500	15800	1.2	0.44"
		3.0	20400	17500	22100	18300	2.6	
		4.0	23500	19000	26000	20000	4.4	
		5.0	25800	20100	28300	21200	6.8	
		6.0	27700	21000	30600	22200	9.7	
SCWE/CCWE25 SCWW/CCWW25	800	2.0	20300	17200	21800	18000	2.1	0.55"
		3.0	24700	19500	26750	20400	4.6	
		4.0	27800	20900	30500	22000	7.9	
		5.0	30300	22000	33300	23300	12.0	
		6.0	32100	22800	35600	24300	17.0	
SCWE/CCWE30 SCWW/CCWW30	1000	2.0	19500	17800	20800	18700	1.3	0.40"
		3.0	24500	21200	26500	22200	2.8	
		4.0	28300	23200	30700	24300	4.9	
		5.0	31200	24600	34190	25900	7.5	
		6.0	33800	25700	37000	27200	10.6	
SCWE/CCWE31 SCWW/CCWW31	1000	2.0	24300	20500	25800	21400	2.4	0.53"
		3.0	29600	23600	31800	24700	5.2	
		4.0	33500	25500	36300	26800	9.0	
		5.0	36500	26900	40000	28400	13.6	
		6.0	38800	27900	42900	29700	19.2	
SCWE/CCWE34 SCWW/CCWW34	1200	2.0	20900	19100	22400	20100	1.4	0.41"
		3.0	26500	22900	28500	24100	3.0	
		4.0	30500	25200	33100	26400	5.1	
		5.0	33800	26800	37000	28200	7.8	
		6.0	36400	28000	40000	29600	11.1	
SCWE/CCWE35 SCWW/CCWW35	1200	2.0	26100	21900	27700	22900	2.6	0.52"
		3.0	31900	25600	34200	26700	5.6	
		4.0	36100	27700	39200	29100	9.5	
		5.0	39400	29200	43300	30800	14.4	
		6.0	42000	30300	46300	32200	20.3	
SCWE/CCWE36 SCWW/CCWW36	1200	2.0	22300	19900	23700	20900	1.5	0.31"
		3.0	28000	23800	30200	24900	3.2	
		4.0	32300	26100	35100	27300	5.6	
		5.0	35800	27800	39100	29200	8.5	
		6.0	38600	29100	42350	30700	12.0	
SCWE/CCWE37 SCWW/CCWW37	1200	2.0	27400	22600	29100	23600	2.9	0.40"
		3.0	33400	26300	35900	27500	6.1	
		4.0	37800	28600	41000	29950	10.4	
		5.0	41300	30100	45200	31800	15.9	
		6.0	43800	31200	48500	33250	22.3	



Mortx Products Inc.
501 Terminal Road
Fort Worth, TX 76106
800-444-6354
www.mortx.com

SDXW/CDXW Hot Water Heating capacity (2 Row HW Coil)

Model Number	Coil Rows	CFM	Heating GPM	PD Ft. Wt.	Heating Capacity @ EWT			
					140°F	160°F	170°F	180°F
SDXW/CDXW-18-21	2	600	3	3.3	21100	27300	30500	33600
SDXW/CDXW-19-21	2	600	3	3.3	22500	29100	32400	35800
SDXW/CDXW-24-23	2	800	3	3.3	22700	29400	32700	36100
SDXW/CDXW-25-23	2	800	3	3.3	22700	29400	32700	36100
SDXW/CDXW-30-27	2	1000	3	3.7	27800	36000	40100	44300
SDXW/CDXW-31-28	2	1000	3	3.7	28000	36300	40500	44600
SDXW/CDXW-34-30	2	1200	3	3.7	29600	38300	42700	47100
SDXW/CDXW-35-30	2	1200	3	3.7	29800	38500	42900	47300
SDXW/CDXW-36-32	2	1200	3	4.2	31800	41200	45900	50600
SDXW/CDXW-37-32	2	1200	3	4.2	32200	41600	46300	51100

SCWW/CCWW Hot Water Heating Capacity (Separate HW Coil - 4 Pipe System)

Model Number	Coil Rows	CFM	Heating GPM	PD Ft. Wt.	Heating Capacity @ EWT			
					140°F	160°F	170°F	180°F
SCWW/CCWW-18-21	2	600	3	3.3	21100	27300	30500	33600
SCWW/CCWW-19-21	2	600	3	3.3	22500	29100	32400	35800
SCWW/CCWW-24-23	2	800	3	3.3	22700	29400	32700	36100
SCWW/CCWW-25-23	2	800	3	3.3	22700	29400	32700	36100
SCWW/CCWW-30-27	2	1000	3	3.7	27800	36000	40100	44300
SCWW/CCWW-31-28	2	1000	3	3.7	28000	36300	40500	44600
SCWW/CCWW-34-30	2	1200	3	3.7	29600	38300	42700	47100
SCWW/CCWW-35-30	2	1200	3	3.7	29800	38500	42900	47300
SCWW/CCWW-36-32	2	1200	3	4.2	31800	41200	45900	50600
SCWW/CCWW-37-32	2	1200	3	4.2	32200	41600	46300	51100

SCWW/CCWW Hot Water Heating Capacity (Single Coil - 2 Pipe System)

Model Number	Coil Rows	CFM	Heating GPM	PD Ft. Wt.	Heating Capacity @ EWT			
					140°F	160°F	170°F	180°F
SCWW/CCWW-18-21	2	600	3	3.3	38103	46000	50900	55870
SCWW/CCWW-19-21	2	600	3	3.3	41108	46690	54980	60275
SCWW/CCWW-24-23	2	800	3	3.3	45193	54510	60380	66265
SCWW/CCWW-25-23	2	800	3	3.3	49288	59550	65910	72270
SCWW/CCWW-30-27	2	1000	3	3.7	53517	64600	71350	78470
SCWW/CCWW-31-28	2	1000	3	3.7	58048	70170	77460	85115
SCWW/CCWW-34-30	2	1200	3	3.7	59617	72020	79745	87415
SCWW/CCWW-35-30	2	1200	3	3.7	64592	78100	86410	94710
SCWW/CCWW-36-32	2	1200	3	4.2	61448	74220	82150	90100
SCWW/CCWW-37-32	2	1200	3	4.2	66031	79890	88350	96820



Mortex Products Inc.
 501 Terminal Road
 Fort Worth, TX 76106
 800-444-6354
 www.mortx.com



HORIZONTAL CONCEALED CEILING
MOUNT AIR HANDLER



Mortex Products Inc.
501 Terminal Road
Fort Worth, TX 76106
800-444-6354
www.mortx.com