

Technical Guide

FOR USE WITH SPLIT SYSTEM COOLING ONLY.
ELECTRIC, HYDRONIC HEAT AND HEAT PUMPS.

Models:

SEHX/CEHX Direct Expansion Cooling / Electric Heating

SDXW/CDXW Direct Expansion Cooling / Hot Water Heating

SCWE/CCWE Chilled Water Cooling / Electric Heating

SCWW/CCWW Chilled Water Cooling / Hot Water Heating

*SEE PAGE 2 FOR MODEL NOMENCLATURE



Description:

These air handlers are designed for horizontal mounting into a furred down ceiling, and will supply up to 1200 CFM and up to 3 tons of cooling with a DX cooling or heat pump coil, or chilled water coil.

For DX cooling requirements these air handlers can be matched with most manufacturer's condensing units and heat pumps.

The cased models are equipped with an insulated cabinet over the top and sides. The bottom of the case is open to accommodate a filtered louvered access panel and have a knockout for rear return air. Return air duct flanges and filter racks are field supplied.

Standard Features:

- Constant Torque ECM motor.
- Electric heat models are 208/240V-1ph-60Hz.
- Hot water heat models are 115V-1ph-60Hz.
- Water circulating pump is factory installed on hot water heat models.
- Space saving design.
- Galvanized steel blower wheels.
- Prewired for cooling and heating.
- Control Transformer.
- Primary and secondary condensate drain pans.
- Easy access for service and maintenance.
- High efficiency copper tubes with aluminum fin coils.

Field Installed Options:

Louvered or nonlouvered ceiling access panels.

Factory Installed Options:

Thermostatic expansion valve. Expansion valves are suitable for both AC and heat pump applications.

Unit Nomenclature

S EHX - 2 4 0 3 E D 1 C 79

Series

- S - Horizontal Fan Coil Unit (Uncased)
- C - Horizontal Fan Coil Unit (Cased)

Type

- EHX - DX Coil and Electric Heat
- DXW - DX Coil and Hot Water Heat
- CWW-Chilled Water Coil and Hot Water Heat
- CWE - Chilled Water Coil and Electric Heat

Tons

Nominal Cooling Capacity

Heating Capacity

- Electric Heating Capacity (KW)
- Hot Water Heat Capacity (M/BTUH)

Expansion Device Code

- E - Expansion Valve (DX Coil - Standard)
- 2 - 2 Pipe Chilled Water (Cooling Coil Only)
- 4 - 4 Pipe Chilled Water (Cooling Coil and Separate 2 Row Hot Water Coil)

Orifice or Expansion Valve Number or Chilled Water Coil Rows

- F - R-32, 1.5 - 3.0 Ton)
- P - R-454B, 1.5 - 3.0 Ton)

Time Delay Relay (TDR)

- 0 - No TDR (standard)
- 1 - With TDR
- 2 - With Hydronic Control Board

Unit Voltage

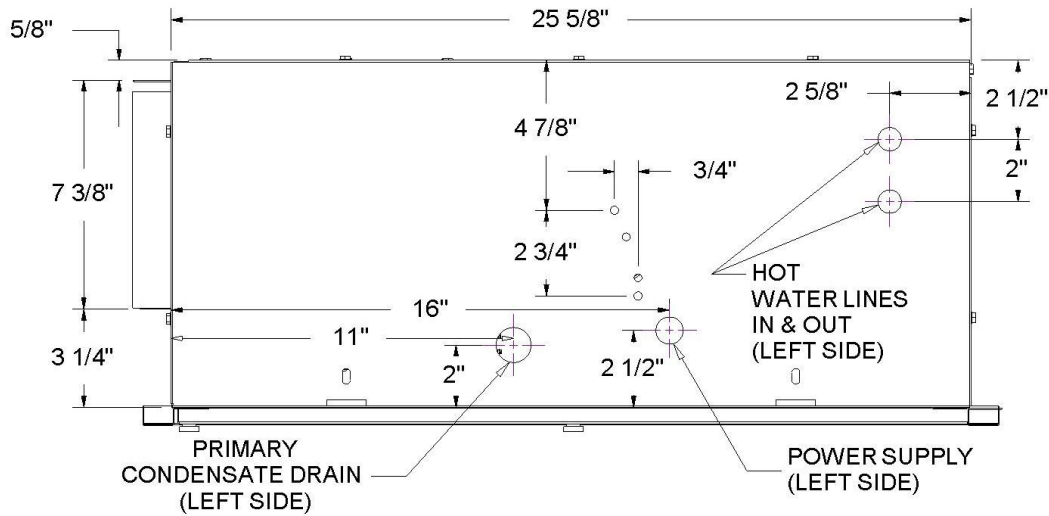
- A - 115V
- C - 208/240V

Blower Motor & Wheel Package

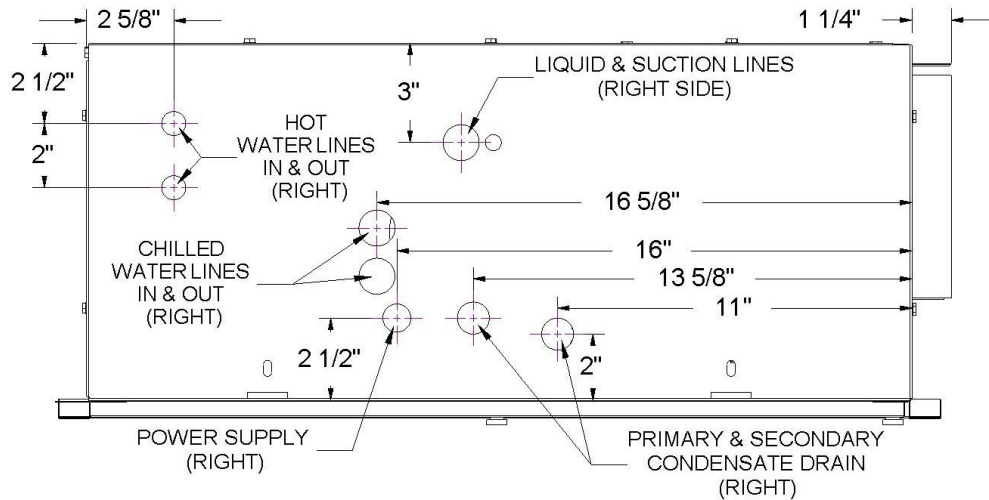
- 80 - 1/3 HP 208/240V CT Motor w/ (2) 7.00 x 8.00 Blowers
- 81 - 1/2 HP 208/240V CT Motor w/ (2) 7.00 x 9.00 Blowers
- 82 - 1/3 HP 115V CT Motor w/ (2) 7.00 x 8.00 Blowers
- 83 - 1/2 HP 115V CT Motor w/ (2) 7.00 x 9.00 Blowers
- 84 - 1/3 HP 115V CT Motor w/ (2) 6.25 x 6.88 Blowers
- 85 - 1/3 HP 208/240V CT Motor w/ (2) 6.25 x 6.88 Blowers
- 86 - 1/2 HP 208/240V CT Motor w/ (2) 6.25 x 8.00 Blowers
- 87 - 1/2 HP 115V CT Motor w/(2) 6.25 x 8.00 Blowers

Cased Air Handler Dimensional Data

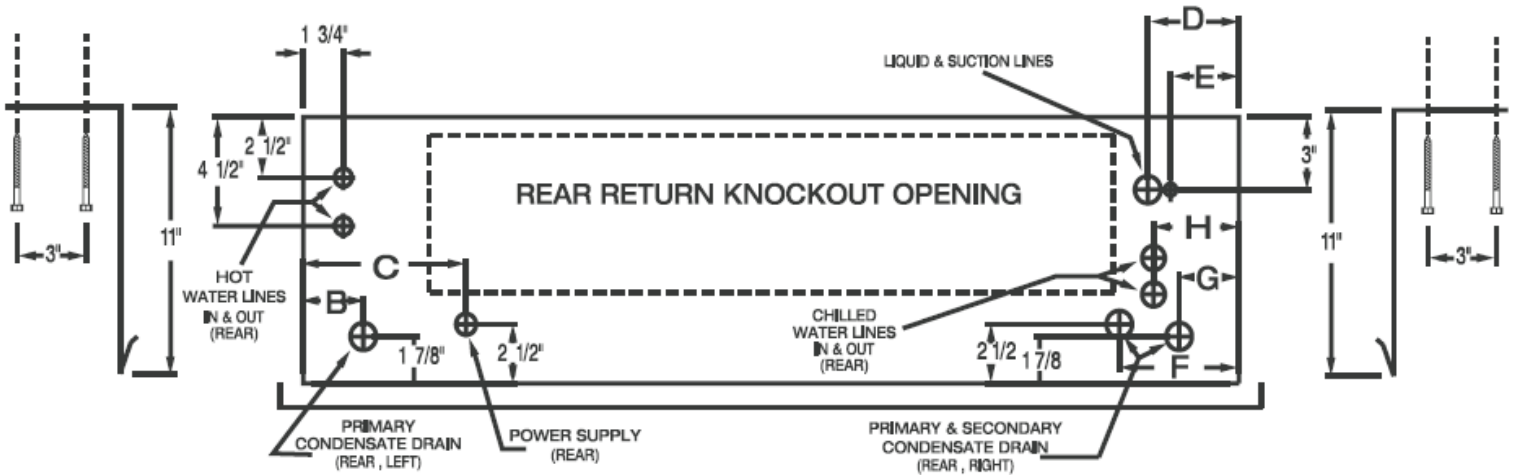
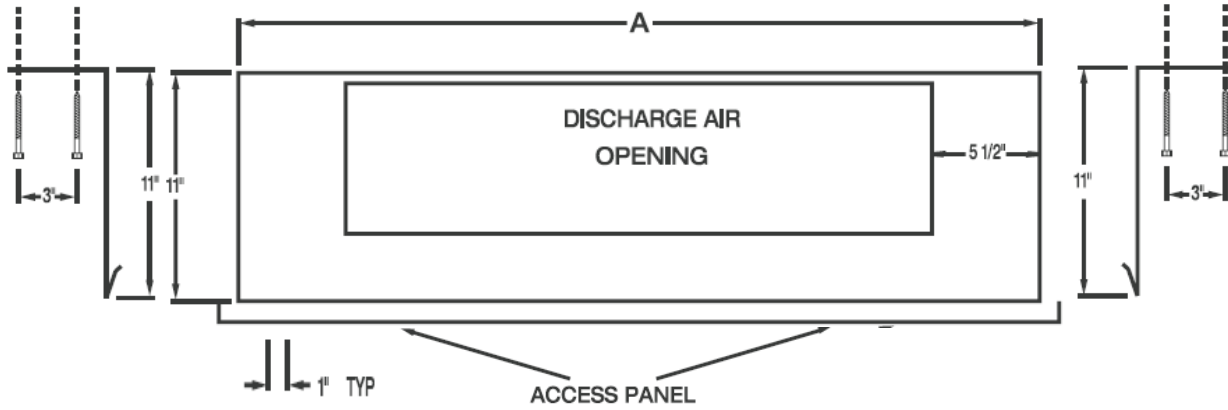
Left Side



Right Side



Cased Dimensional Data

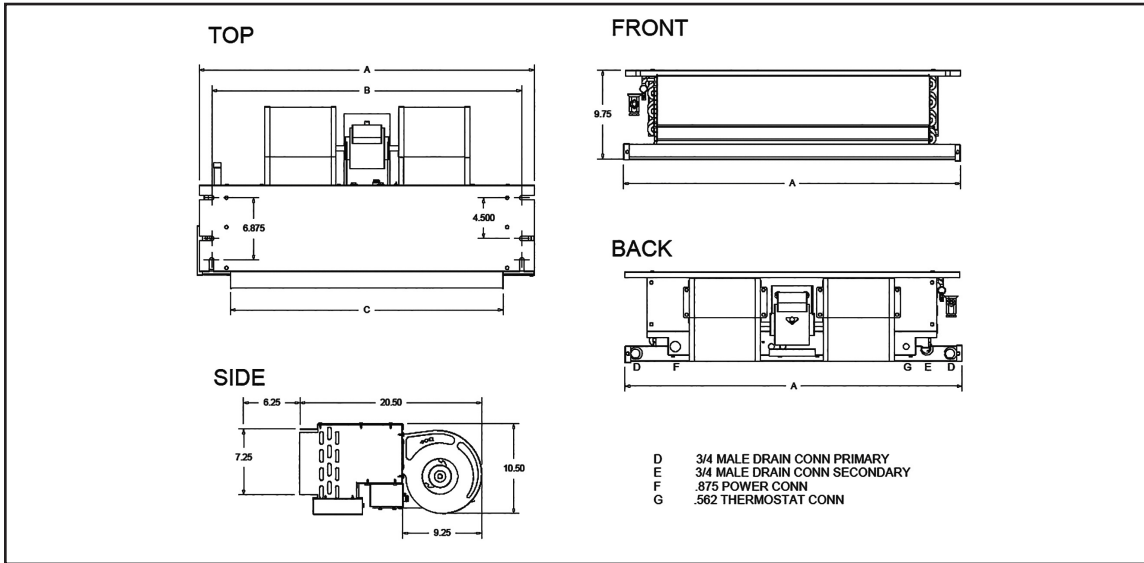


Model	A	B	C	D	E	F	G	H
18,19,24	41"	2-5/8"	7-1/8"	4"	3"	5-1/4"	2-5/8"	3-3/4"
25,30,31	47"	2"	10-1/2"	2-1/2"	1-1/2"	4-5/8"	2"	2-11/16"
34,35	53-1/2"	3-1/4"	13-3/4"	3-1/4"	2-3/4"	5-7/8"	3-1/4"	3-15/16"
36,37	60-1/2"	3-1/4"	17-1/2"	3-1/4"	2-3/4"	5-7/8"	3-1/4"	3-15/16"

Discharge Air	
18/19/24	30" x 7-1/4"
25/30/31	38" x 7-1/4"
34,35	42" x 7-1/4"
36,37	49" x 7-1/4"

Rear Return Knockout Opening		
18/19/24	30" x 6-1/2"	3/4" Male Drain Connection-Primary
25/30/31	38" x 6-1/2"	3/4" Male Drain Connection-Primary
34,35	42" x 6-1/2"	7/8" Power Connection
36,37	49" x 6-1/2"	9/16" Thermostat Cable Connection

Uncased Air Handler Dimensional Data

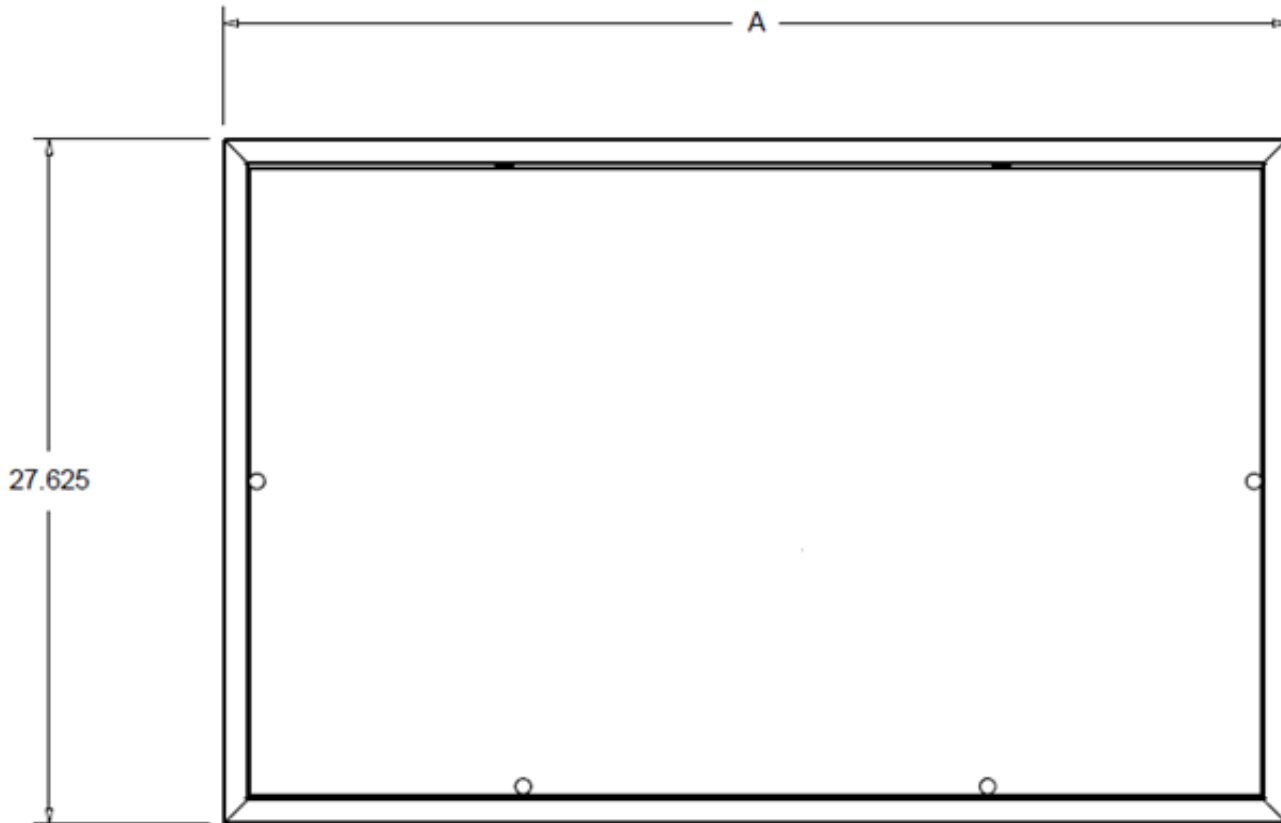


Model Number	Physical Dimensions						
	Liquid Line	Suction Line	Evap. Rows	A	B	C	Ship Weight
SEHX / SCWE / SDXW / SCWW - 18	3/8	3/4	3	37	34.25	30	60
SEHX / SCWE / SDXW / SCWW - 19	3/8	3/4	4	37	34.25	30	65
SEHX / SCWE / SDXW / SCWW - 24	3/8	3/4	3	37	34.25	30	60
SEHX / SCWE / SDXW / SCWW - 25	3/8	3/4	4	45	42.25	38	75
SEHX / SCWE / SDXW / SCWW - 30	3/8	3/4	3	45	42.25	38	70
SEHX / SCWE / SDXW / SCWW - 31	3/8	3/4	4	45	42.25	38	75
SEHX / SCWE / SDXW / SCWW - 34	3/8	3/4	3	49	46.25	42	74
SEHX / SCWE / SDXW / SCWW - 35	3/8	3/4	4	49	46.25	42	80
SEHX / SCWE / SDXW / SCWW - 36	3/8	3/4	3	56	53.25	49	85
SEHX / SCWE / SDXW / SCWW - 37	3/8	3/4	4	56	53.25	49	90

Suntherm Ceiling Access Panels

Ceiling Panels	Description	Shipping Weights
CPNL-1	Solid Panel - Fits HEC (A body) or C***-18/19/24	18 LB
CPNL-2	Solid Panel - Fits HEC (B body) or C***-25/30/31	20 LB
CPNL-3	Solid Panel - Fits HEC (C body) or C***-34/35	21 LB
CPNL-4	Solid Panel - Fits HEC (D body) or C***-36/37	22 LB
HCPL-1	Louvered Panel - HEC (A body) or C***-18/19/24	18 LB
HCPL-2	Louvered Panel - HEC (B body) or C***-25/30/31	20 LB
HCPL-3	Louvered Panel - HEC (C body) or C***-34/35	21 LB
HCPL-4	Louvered Panel - HEC (D body) or C***-36/37	22 LB

CPNL Non-Louvered Panel



Model	"A" Dimension
CPNL-1	43"
CPNL-2	49"
CPNL-3	55-1/2"
CPNL-4	62-1/2"

HCPL Louvered Panel



Model	"A" Dimension
HCPL-1	43"
HCPL-2	49"
HCPL-3	55-1/2"
HCPL-4	62-1/2"

Model	Filters
HCPL-1	(2) 16x16x1
HCPL-2	(2) 16x20x1
HCPL-3	(2) 16x25x1
HCPL-4	(2) 16x25x1

HORIZONTAL CONCEALED CEILING MOUNT AIR HANDLER

SEHX, SCWE, CEHX, CCWE Constant Torque ECM Fan Data (5 Row DX)
208/240VAC

Model	Motor HP	DX Rows	CFM @ External Static Pressure (Tap 5)					
			0.10"	0.20"	0.25"	0.30"	0.40"	0.50"
19-**-**-1C80	1/3HP	5 Row	921	876	859	842	788	742
25-**-**-1C81	1/2HP	5 Row	1110	1047	1005	993	925	873
35-**-**-1C81	1/2HP	5 Row	1369	1307	1262	1226	1157	1089
37-**-**-1C81	1/2HP	5 Row	1415	1364	1321	1287	1220	1155

Model	Motor HP	DX Rows	CFM @ External Static Pressure (Tap 4)					
			0.10"	0.20"	0.25"	0.30"	0.40"	0.50"
19-**-**-1C80	1/3HP	5 Row	821	777	754	738	689	640
25-**-**-1C81	1/2HP	5 Row	1010	932	896	877	821	758
35-**-**-1C81	1/2HP	5 Row	1262	1200	1162	1135	1077	1010
37-**-**-1C81	1/2HP	5 Row	1277	1215	1204	1166	1098	1045

Model	Motor HP	DX Rows	CFM @ External Static Pressure (Tap 3)					
			0.10"	0.20"	0.25"	0.30"	0.40"	0.50"
19-**-**-1C80	1/3HP	5 Row	761	722	697	676	626	578
25-**-**-1C81	1/2HP	5 Row	896	818	789	777	694	641
35-**-**-1C81	1/2HP	5 Row	1173	1095	1065	1035	965	889
37-**-**-1C81	1/2HP	5 Row	1177	1122	1093	1063	1001	934

Model	Motor HP	DX Rows	CFM @ External Static Pressure (Tap 2)					
			0.10"	0.20"	0.25"	0.30"	0.40"	0.50"
19-**-**-1C80	1/3HP	5 Row	640	583	557	530	478	465
25-**-**-1C81	1/2HP	5 Row	749	680	646	625	550	492
35-**-**-1C81	1/2HP	5 Row	1059	971	951	910	822	749
37-**-**-1C81	1/2HP	5 Row	1069	1001	961	920	855	777

Model	Motor HP	DX Rows	CFM @ External Static Pressure (Tap 1)					
			0.10"	0.20"	0.25"	0.30"	0.40"	0.50"
19-**-**-1C80	1/3HP	5 Row	562	502	478	453	402	352
25-**-**-1C81	1/2HP	5 Row	611	540	497	486	410	352
35-**-**-1C81	1/2HP	5 Row	978	896	852	814	732	677
37-**-**-1C81	1/2HP	5 Row	987	913	870	840	760	698

HORIZONTAL CONCEALED CEILING MOUNT AIR HANDLER

SEHX, CEHX Physical Data (Constant Torque ECM Version)

Model	Motor HP	DX Rows	CW Rows	HW Rows	Suction Conn.	Liquid Conn.	CW Conn.	HW Conn.	Shipping Weight
18	1/3HP	4	N/A	N/A	3/4"	3/8"	N/A	N/A	70 LB
19	1/3HP	5	N/A	N/A	3/4"	3/8"	N/A	N/A	75 LB
24	1/3HP	4	N/A	N/A	3/4"	3/8"	N/A	N/A	70 LB
25	1/2HP	5	N/A	N/A	3/4"	3/8"	N/A	N/A	85 LB
30	1/2HP	4	N/A	N/A	3/4"	3/8"	N/A	N/A	80 LB
31	1/2HP	5	N/A	N/A	3/4"	3/8"	N/A	N/A	85 LB
34	1/2HP	4	N/A	N/A	3/4"	3/8"	N/A	N/A	84 LB
35	1/2HP	5	N/A	N/A	3/4"	3/8"	N/A	N/A	90 LB
36	1/2HP	4	N/A	N/A	3/4"	3/8"	N/A	N/A	95 LB
37	1/2HP	5	N/A	N/A	3/4"	3/8"	N/A	N/A	100 LB

SDXW, CDXW Physical Data (Constant Torque ECM Version)

Model	Motor HP	DX Rows	CW Rows	HW Rows	Suction Conn.	Liquid Conn.	CW Conn.	HW Conn.	Shipping Weight
18	1/3HP	4	N/A	2	3/4"	3/8"	N/A	5/8"	102 LB
19	1/3HP	5	N/A	2	3/4"	3/8"	N/A	5/8"	107 LB
24	1/3HP	4	N/A	2	3/4"	3/8"	N/A	5/8"	102 LB
25	1/2HP	5	N/A	2	3/4"	3/8"	N/A	5/8"	117 LB
30	1/2HP	4	N/A	2	3/4"	3/8"	N/A	5/8"	112 LB
31	1/2HP	5	N/A	2	3/4"	3/8"	N/A	5/8"	117 LB
34	1/2HP	4	N/A	2	3/4"	3/8"	N/A	5/8"	116 LB
35	1/2HP	5	N/A	2	3/4"	3/8"	N/A	5/8"	122 LB
36	1/2HP	4	N/A	2	3/4"	3/8"	N/A	5/8"	127 LB
37	1/2HP	5	N/A	2	3/4"	3/8"	N/A	5/8"	132 LB

HORIZONTAL CONCEALED CEILING MOUNT AIR HANDLER

SCWE, CCWE Physical Data (Constant Torque ECM Version)

Model	Motor HP	DX Rows	CW Rows	HW Rows	Suction Conn.	Liquid Conn.	CW Conn.	HW Conn.	Shipping Weight
18	1/3HP	N/A	4	N/A	N/A	N/A	5/8"	N/A	70 LB
19	1/3HP	N/A	5	N/A	N/A	N/A	5/8"	N/A	75 LB
24	1/3HP	N/A	4	N/A	N/A	N/A	5/8"	N/A	70 LB
25	1/2HP	N/A	5	N/A	N/A	N/A	5/8"	N/A	85 LB
30	1/2HP	N/A	4	N/A	N/A	N/A	5/8"	N/A	80 LB
31	1/2HP	N/A	5	N/A	N/A	N/A	5/8"	N/A	85 LB
34	1/2HP	N/A	4	N/A	N/A	N/A	5/8"	N/A	84 LB
35	1/2HP	N/A	5	N/A	N/A	N/A	5/8"	N/A	90 LB
36	1/2HP	N/A	4	N/A	N/A	N/A	5/8"	N/A	95 LB
37	1/2HP	N/A	5	N/A	N/A	N/A	5/8"	N/A	100 LB

SCWW, CCWW Physical data (Constant Torque ECM Version)

Model	Motor HP	DX Rows	CW Rows	HW Rows	Suction Conn.	Liquid Conn.	CW Conn.	HW Conn.	Shipping Weight
18	1/3HP	N/A	4	2	N/A	N/A	5/8"	5/8"	105 LB
19	1/3HP	N/A	5	2	N/A	N/A	5/8"	5/8"	110 LB
24	1/3HP	N/A	4	2	N/A	N/A	5/8"	5/8"	105 LB
25	1/2HP	N/A	5	2	N/A	N/A	5/8"	5/8"	120 LB
30	1/2HP	N/A	4	2	N/A	N/A	5/8"	5/8"	115 LB
31	1/2HP	N/A	5	2	N/A	N/A	5/8"	5/8"	120 LB
34	1/2HP	N/A	4	2	N/A	N/A	5/8"	5/8"	119 LB
35	1/2HP	N/A	5	2	N/A	N/A	5/8"	5/8"	125 LB
36	1/2HP	N/A	4	2	N/A	N/A	5/8"	5/8"	130 LB
37	1/2HP	N/A	5	2	N/A	N/A	5/8"	5/8"	135 LB

Electric Heat Data (SEHX, CEHX)

ELECTRICAL DATA - NO HEAT & ELECTRIC HEAT																						
Air Handler Model	Motor Data						Electric Heater Data						Unit Electrical Data			Min. Circuit Ampacity			Max Overcurrent Protection			
	Motor HP	Volts 1 Ph	Motor Type	Motor Code/ Blower Size (2) Blowers per Motor	Motor Amps 208V	Motor Amps 230V	Motor Amps 240V	KW 208V	KW 230V	KW 240V	Heater Amps 208V	Heater Amps 230V	Heater Amps 240V	Motor and Heater Amps 208V	Motor and Heater Amps 230V	Motor and Heater Amps 240V	MCA 208V	MCA 230V	MCA 240V	Max Fuse / Breaker Size 208V	Max Fuse / Breaker Size 240V	Max Fuse / Breaker Size 240V
SEHX-18/19/24 CEHX - 18/19/24 SCWE 18/19/24 CCWE 18/19/24 30" Discharge Opening	1/3	208/240	CT	80 / 7.00 x 8.00	1.71	1.54	1.48	0.0	0.0	0.0	0.0	0.0	0.0	1.71	1.54	1.48	2.13	1.93	1.85	15	15	15
								2.3	2.8	3.0	10.83	11.98	12.50	12.54	13.52	13.98	15.68	16.90	17.48	20	20	20
								3.8	4.6	5.0	18.06	19.97	20.83	19.76	21.51	22.31	24.70	26.89	27.89	25	30	30
								4.5	5.5	6.0	21.67	23.96	25.00	23.37	25.50	26.48	29.22	31.88	33.10	30	35	35
								6.0	7.3	8.0	28.89	31.94	33.33	30.60	33.49	34.81	38.25	41.86	43.52	40	45	45
								7.5	9.2	10.0	36.11	39.93	41.67	37.82	41.47	43.15	47.27	51.84	53.93	50	60	60
								0.0	0.0	0.0	0.0	0.0	0.0	1.67	1.51	1.45	2.09	1.89	1.81	15	15	15
SEHX-18/19/24 CEHX - 18/19/24 SCWE 18/19/24 CCWE 18/19/24 30" Discharge Opening	1/2	208/240	CT	85 / 6.25 x 6.88	1.67	1.51	1.45	2.3	2.8	3.0	10.83	11.98	12.50	12.51	13.49	13.95	15.63	16.87	17.44	20	20	20
								3.8	4.6	5.0	18.06	19.97	20.83	19.73	21.48	22.28	24.66	26.85	27.85	25	30	30
								4.5	5.5	6.0	21.67	23.96	25.00	23.34	25.47	26.45	29.17	31.84	33.06	30	35	35
								6.0	7.3	8.0	28.89	31.94	33.33	30.56	33.46	34.78	38.20	41.82	43.48	40	45	45
								7.5	9.2	10.0	36.11	39.93	41.67	37.78	41.44	43.12	47.23	51.80	53.90	50	60	60
								0.0	0.0	0.0	0.0	0.0	0.0	1.89	1.71	1.64	2.37	2.14	2.05	15	15	15
								2.3	2.8	3.0	10.83	11.98	12.50	12.73	13.69	14.14	15.91	17.11	17.68	20	20	20
SEHX-25/30/31 CEHX - 25/30/31 SCWE 25/30/31 CCWE 25/30/31 38" Discharge Opening	1/2	208/240	CT	81 / 7.00 x 9.00	1.89	1.71	1.64	3.8	4.6	5.0	18.06	19.97	20.83	19.95	21.68	22.47	24.93	27.10	28.09	25	30	30
								4.5	5.5	6.0	21.67	23.96	25.00	23.56	25.67	26.64	29.45	32.09	33.30	30	35	35
								6.0	7.3	8.0	28.89	31.94	33.33	30.78	33.66	34.97	38.48	42.07	43.72	40	45	45
								7.5	9.2	10.0	36.11	39.93	41.67	38.00	41.64	43.31	47.50	52.05	54.13	50	60	60
								0.0	0.0	0.0	0.0	0.0	0.0	1.79	1.62	1.55	2.24	2.02	1.94	15	15	15
								2.3	2.8	3.0	10.83	11.98	12.50	12.62	13.60	14.05	15.78	17.00	17.56	20	20	20
								3.8	4.6	5.0	18.06	19.97	20.83	19.84	21.58	22.38	24.81	26.98	27.98	25	30	30
SEHX-25/30/31 CEHX - 25/30/31 SCWE 25/30/31 CCWE 25/30/31 38" Discharge Opening	1/2	208/240	CT	86 / 6.25 x 6.88	1.79	1.62	1.55	4.5	5.5	6.0	21.67	23.96	25.00	23.46	25.58	26.55	29.32	31.97	33.19	30	35	35
								6.0	7.3	8.0	28.89	31.94	33.33	30.68	33.56	34.88	38.35	41.95	43.60	40	45	45
								7.5	9.2	10.0	36.11	39.93	41.67	37.90	41.55	43.22	47.37	51.93	54.02	50	60	60
								0.0	0.0	0.0	0.0	0.0	0.0	2.61	2.36	2.26	3.26	2.95	2.83	15	15	15
								2.3	2.8	3.0	10.83	11.98	12.50	13.44	14.34	14.76	16.80	17.92	18.45	20	20	20
								3.8	4.6	5.0	18.06	19.97	20.83	20.66	22.32	23.09	25.83	27.90	28.87	30	30	30
								4.5	5.5	6.0	21.67	23.96	25.00	24.27	26.32	27.26	30.34	32.90	34.08	35	35	35
SEHX-34/35 CEHX - 34/35 SCWE 34/35 CCWE 34/35 42" Discharge Opening	1/2	208/240	CT	81 / 7.00 x 9.00	2.61	2.36	2.26	6.0	7.3	8.0	28.89	31.94	33.33	31.50	34.30	35.59	39.37	42.88	44.49	40	45	45
								7.5	9.2	10.0	36.11	39.93	41.67	38.72	42.29	43.93	48.40	52.86	54.91	50	60	60
								0.0	0.0	0.0	0.0	0.0	0.0	1.79	1.62	1.55	2.24	2.02	1.94	15	15	15
								2.3	2.8	3.0	10.83	11.98	12.50	12.62	13.60	14.05	15.78	17.00	17.56	20	20	20
								3.8	4.6	5.0	18.06	19.97	20.83	19.84	21.58	22.38	24.81	26.98	27.98	25	30	30
								4.5	5.5	6.0	21.67	23.96	25.00	23.46	25.58	26.55	29.32	31.97	33.19	30	35	35
								6.0	7.3	8.0	28.89	31.94	33.33	30.68	33.56	34.88	38.35	41.95	43.60	40	45	45
SEHX-34/35 CEHX - 34/35 SCWE 34/35 CCWE 34/35 42" Discharge Opening	1/2	208/240	CT	86 / 6.25 x 8.00	1.79	1.62	1.55	7.5	9.2	10.0	36.11	39.93	41.67	37.90	41.55	43.22	47.37	51.93	54.02	50	60	60
								0.0	0.0	0.0	0.0	0.0	0.0	2.72	2.46	2.36	3.40	3.08	2.95	15	15	15
								2.3	2.8	3.0	10.83	11.98	12.50	13.56	14.44	14.86	16.95	18.05	18.58	20	20	20
								3.8	4.6	5.0	18.06	19.97	20.83	20.78	22.43	23.19	25.97	28.03	28.99	25	30	30
								4.5	5.5	6.0	21.67	23.96	25.00	24.39	26.42	27.36	30.49	33.03	34.20	30	35	35
								6.0	7.3	8.0	28.89	31.94	33.33	31.61	34.41	35.69	39.51	43.01	44.42	40	45	45
								7.5	9.2	10.0	36.11	39.93	41.67	38.83	42.39	44.03	48.54	52.99	55.03	50	60	60
SEHX-36/37 CEHX - 36/37 SCWE 36/37 CCWE 36/37 49" Discharge Opening	1/2	208/240	CT	83 / 7.00 x 8.00	2.72	2.46	2.36	0.0	0.0	0.0	0.0	0.0	0.0	1.79	1.62	1.55	2.24	2.02	1.94	15	15	15
								2.3	2.8	3.0	10.83	11.98	12.50	12.62	13.60	14.05	15.78	17.00	17.56	20	20	20
								3.8	4.6	5.0	18.06	19.97	20.83	19.84	21.58	22.38	24.81	26.98	27.98	25	30	30
								4.5	5.5	6.0	21.67	23.96	25.00	23.46	25.58	26.55	29.32	31.97	33.19	30	35	35
								6.0	7.3	8.0	28.89	31.94	33.33	30.68	33.56	34.88	38.35	41.95	43.60	40	45	45
								7.5	9.2	10.0	36.11	39.93	41.67	37.90	41.55	43.22	47.37	51.93	54.02	50	60	60
								0.0	0.0	0.0	0.0	0.0	0.0	2.72	2.46	2.36	3.40	3.08	2.95	15	15	15
SEHX-36/37 CEHX - 36/37 SCWE 36/37 CCWE 36/37 49" Discharge Opening	1/2	208/240	CT	86 / 6.25 x 8.00	1.79	1.62	1.55	2.3	2.8	3.0	10.83	11.98	12.50	12.62	13.60	14.05	15.78	17.00	17.56	20	20	20
								3.8	4.6	5.0	18.06	19.97	20.83	19.84	21.58	22.38	24.81	26.98	27.98	25	30	30
								4.5	5.5	6.0	21.67	23.96	25.00	23.46	25.58	26.55	29.32	31.97	33.19	30	35	35
								6.0	7.3	8.0	28.89	31.94	33.33	30.68	33.56	34.88	38.35	41.95	43.60	40	45	45
								7.5	9.2	10.0	36.11	39.93	41.67	37.90	41.55	43.22	47.37	51.93	54.02	50	60	60
								0.0	0.0	0.0	0.0	0.0	0.0	1.79	1.62	1.55	2.24	2.02	1.94	15	15	15
								2.3	2.8	3.0	10.83	11.98	12.50	12.62	13.60	14.05	15.78	17.00	17.56	20	20	20

Electrical Data (Hot Water Heat) SDXW, SCWW, CDXW, CCWW

ELECTRICAL DATA - HOT WATER HEAT											
Air Handler Model	Motor Code	Blower Size (2 Blowers Per Motor)	Volts 1 Ph	Motor Type	Motor HP	Motor Amps 115V	Pump Amps 115V	Unit Amps 115V	MCA 115V	MOP (Max Fuse / Breaker Size)	
SDXW, CDXW, SCWW, CCWW -18/19/24	82	7.00 x 8.00	115	CT	1/3	3.40	0.52	3.92	4.90	15	
SDXW, CDXW, SCWW, CCWW -18/19/24	84	6.25 x 6.88	115	CT	1/3	3.00	0.52	3.52	4.40	15	
SDXW, CDXW, SCWW, CCWW -25/30/31	83	7.00 x 9.00	115	CT	1/2	5.00	0.52	5.52	6.90	15	
SDXW, CDXW, SCWW, CCWW -25/30/31	87	6.25 x 8.00	115	CT	1/2	4.50	0.52	5.02	6.28	15	
SDXW, CDXW, SCWW, CCWW -34/35	83	7.00 x 9.00	115	CT	1/2	5.00	0.52	5.52	6.90	15	
SDXW, CDXW, SCWW, CCWW -34/35	87	6.25 x 8.00	115	CT	1/2	4.50	0.52	5.02	6.28	15	
SDXW, CDXW, SCWW, CCWW -36/37	83	7.00 x 9.00	115	CT	1/2	5.00	0.52	5.52	6.90	15	
SDXW, CDXW, SCWW, CCWW -36/37	87	6.25 x 8.00	115	CT	1/2	4.50	0.52	5.02	6.28	15	

Chilled Water Cooling Capacity SCWE, SCWW, CCWE, CCWW

Model Number	CFM	Cooling Capacity @ EWT				PD Water (Ft. Wtr)	PD Air (INWC)	
		GPM	80°F / 67°F / 45°F		80°F / 67°F / 42°F			
			Total	Sensible	Total			Sensible
?CWE18 / ?CWW18	600	2.0	14700	12900	15800	13400	1.2	0.29"
		3.0	18100	14600	19700	15300	2.6	
		4.0	20600	15800	22700	16600	4.4	
		5.0	22600	16700	25000	17600	6.8	
		6.0	24200	17300	26882	18400	9.6	
?CWE19 / ?CWW19	600	2.0	17900	14500	19400	15000	2.1	0.35"
		3.0	21500	16000	23500	16900	4.6	
		4.0	24100	17100	26600	18200	7.9	
		5.0	26000	17900	28300	19100	12.0	
		6.0	27400	18500	30600	19900	17.0	
?CWE24 / ?CWW24	800	2.0	16400	15000	17500	15800	1.2	0.44"
		3.0	20400	17500	22100	18300	2.6	
		4.0	23500	19000	26000	20000	4.4	
		5.0	25800	20100	28300	21200	6.8	
		6.0	27700	21000	30600	22200	9.7	
?CWE25 / ?CWW25	800	2.0	20300	17200	21800	18000	2.1	0.55"
		3.0	24700	19500	26750	20400	4.6	
		4.0	27800	20900	30500	22000	7.9	
		5.0	30300	22000	33300	23300	12.0	
		6.0	32100	22800	35600	24300	17.0	
?CWE30 / ?CWW30	1000	2.0	19500	17800	20800	18700	1.3	0.40"
		3.0	24500	21200	26500	22200	2.8	
		4.0	28300	23200	30700	24300	4.9	
		5.0	31200	24600	34190	25900	7.5	
		6.0	33800	25700	37000	27200	10.6	
?CWE31 / ?CCWW31	1000	2.0	24300	20500	25800	21400	2.4	0.53"
		3.0	29600	23600	31800	24700	5.2	
		4.0	33500	25500	36300	26800	9.0	
		5.0	36500	26900	40000	28400	13.6	
		6.0	38800	27900	42900	29700	19.2	
?CWE34 / ?CWW34	1200	2.0	20900	19100	22400	20100	1.4	0.41"
		3.0	26500	22900	28500	24100	3.0	
		4.0	30500	25200	33100	26400	5.1	
		5.0	33800	26800	37000	28200	7.8	
		6.0	36400	28000	40000	29600	11.1	
?CWE35 / ?CWW35	1200	2.0	26100	21900	27700	22900	2.6	0.52"
		3.0	31900	25600	34200	26700	5.6	
		4.0	36100	27700	39200	29100	9.5	
		5.0	39400	29200	43300	30800	14.4	
		6.0	42000	30300	46300	32200	20.3	
?CWE36 / ?CWW36	1200	2.0	22300	19900	23700	20900	1.5	0.31"
		3.0	28000	23800	30200	24900	3.2	
		4.0	32300	26100	35100	27300	5.6	
		5.0	35800	27800	39100	29200	8.5	
		6.0	38600	29100	42350	30700	12.0	
?CWE37 / ?CWW37	1200	2.0	27400	22600	29100	23600	2.9	0.40"
		3.0	33400	26300	35900	27500	6.1	
		4.0	37800	28600	41000	29950	10.4	
		5.0	41300	30100	45200	31800	15.9	
		6.0	43800	31200	48500	33250	22.3	

HORIZONTAL CONCEALED CEILING MOUNT AIR HANDLER

SDXW, CDXW Hot Water Heating Capacity (2 Row Hot Water Coil)

Model Number	Coil Rows	CFM	Heating GPM	PD Ft. Wt.	Heating Capacity @ EWT			
					140°F	160°F	170°F	180°F
?DXW18-21	2	600	3	3.3	21100	27300	30500	33600
?DXW19-21	2	600	3	3.3	22500	29100	32400	35800
?DXW24-23	2	800	3	3.3	22700	29400	32700	36100
?DXW25-23	2	800	3	3.3	22700	29400	32700	36100
?DXW30-27	2	1000	3	3.7	27800	36000	40100	44300
?DXW31-28	2	1000	3	3.7	28000	36300	40500	44600
?DXW34-30	2	1200	3	3.7	29600	38300	42700	47100
?DXW35-30	2	1200	3	3.7	29800	38500	42900	47300
?DXW36-32	2	1200	3	4.2	31800	41200	45900	50600
?DXW37-32	2	1200	3	4.2	32200	41600	46300	51100

SCWW, CCWW Hot Water Heating Capacity (Separate Hot Water Coil - 4 Pipe System)

Model Number	Coil Rows	CFM	Heating GPM	PD Ft. Wt.	Heating Capacity @ EWT			
					140°F	160°F	170°F	180°F
?CWW18-21	2	600	3	3.3	21100	27300	30500	33600
?CWW19-21	2	600	3	3.3	22500	29100	32400	35800
?CWW24-23	2	800	3	3.3	22700	29400	32700	36100
?CWW25-23	2	800	3	3.3	22700	29400	32700	36100
?CWW30-27	2	1000	3	3.7	27800	36000	40100	44300
?CWW31-28	2	1000	3	3.7	28000	36300	40500	44600
?CWW34-30	2	1200	3	3.7	29600	38300	42700	47100
?CWW35-30	2	1200	3	3.7	29800	38500	42900	47300
?CWW36-32	2	1200	3	4.2	31800	41200	45900	50600
?CWW37-32	2	1200	3	4.2	32200	41600	46300	51100

SCWW, CCWW Hot Water Heating Capacity (Single Coil - 2 Pipe System)

Model Number	Coil Rows	CFM	Heating GPM	PD Ft. Wt.	Heating Capacity @ EWT			
					140°F	160°F	170°F	180°F
?CWW18-21	2	600	3	3.3	38103	46000	50900	55870
?CWW19-21	2	600	3	3.3	41108	46690	54980	60275
?CWW24-23	2	800	3	3.3	45193	54510	60380	66265
?CWW25-23	2	800	3	3.3	49288	59550	65910	72270
?CWW30-27	2	1000	3	3.7	53517	64600	71350	78470
?CWW31-28	2	1000	3	3.7	58048	70170	77460	85115
?CWW34-30	2	1200	3	3.7	59617	72020	79745	87415
?CWW35-30	2	1200	3	3.7	64592	78100	86410	94710
?CWW36-32	2	1200	3	4.2	61448	74220	82150	90100
?CWW37-32	2	1200	3	4.2	66031	79890	88350	96820