

Horizontal Fan Coil Models:

CEHX – DX Cooling w/ Electric Heat, Cased
CCWE – Chilled Water Cooling w/Electric Heat, Cased-2P
SEHX - DX Cooling w/ Electric Heat, Uncased
SCWE – Chilled Water Cooling w/Electric Heat, Uncased-2P

CDXW – DX Cooling w/ Hot Water Heat, Cased
CCWW – Chilled Water Cooling w/Hot Water Heat, Cased-4P
SDXW - DX Cooling w/ Hot Water Heat, Uncased
SCWW – Chilled Water Cool w/Hot Water Heat, Uncased-2P

LIST OF SECTIONS

1 – General.....	1	4 – Start Up & Shutdown Instructions	5
2 – Safety	2	5 – Owner Maintenance.....	5
3 – Owners Information & Seasonal Information	3		

LIST OF SECTIONS – SERVICE AND MAINTENANCE MANUAL

1 – Safety	7	7 – Special Piping Instructions For A2L Class Flammable Refrigerants.....	22
2 – Air Handler Maintenance.....	11	8 – Refrigerant Leak Detection System & Sensor Replacement.....	23
3 – Air Handler Controls.....	13	9 – Accessories.....	25
4 – Sequence of Operation	15	10 – Replacement Parts	25
5 – Troubleshooting	16	11 – Decommissioning & Disposal of the Air Handler	34
6 – Blower Performance	20		

LIST OF FIGURES

1 – Air Handler Visual Check Points	4	10 – Electric Heater Contactor	13
2 – Homeowner / User Cleaning Points	5	11 – Refrigerant Leak Detection Sensor Location	13
3 – Ceiling Access Panel and Air Filter Location	6	12 – Component Locations – Hydronic Heat Models.....	13
4 – Standard Disposable 1”Thick Air Filter	6	13 – Hydronic Heat Control Box – No Pump.....	13
5 – Optional Return Air Filter Grille	6	14 – Hydronic Control Board	13
6 – Blower Assembly	12	15 – Constant Torque Motor Control Module Terminals	17
7 – Electric Heat Control Box	12	16 – Constant Torque Motor Blower Assembly	18
8 – No Electric Heat Control Box.....	12	17 – SEHX/CEHX/SCWE/CCWE Electric Ht Replacement Parts.....	25
9 – Component Locations – Electric Heat	12	18 – SDXW/CDXW/SCWW/CCWW Hyd Ht Replacement Parts	30

LIST OF TABLES

1 – Constant Torque Motor Terminals – Electric Ht & No Ht Models.....	17	12 – CDXW/CCWW Blower Perf - C.T. Motor - Speed Tap 1	22
2 – Constant Torque Motor Terminals – Hydronic Heat Models.....	17	13 – Accessory List	25
3 – CEHX/CCWE Blower Perf - C.T. Motor - Speed Tap 5	20	14 – CEHX/CCWE 18-24 Electric Heat – Replacement Parts List.....	26
4 – CEHX/CCWE Blower Perf - C.T. Motor - Speed Tap 4	20	15 – CEHX/CCWE 25-31 Electric Heat – Replacement Parts List.....	27
5 – CEHX/CCWE Blower Perf - C.T. Motor - Speed Tap 3	20	16 – CEHX/CCWE 34-35 Electric Heat - Replacement Parts List.....	28
6 – CEHX/CCWE Blower Perf - C.T. Motor - Speed Tap 2	20	17 – CEHX/CCWE 36-37 Electric Heat - Replacement Parts List.....	29
7 – CEHX/CCWE Blower Perf - C.T. Motor - Speed Tap 1	20	18 – CDXW/CCWW 18-24 Hyd Ht - Replacement Parts List	30
8 – CDXW/CCWW Blower Perf - C.T. Motor - Speed Tap 5.....	21	19 – CDXW/CCWW 25-31 Hyd Ht - Replacement Parts List	31
9 – CDXW/CCWW Blower Perf - C.T. Motor - Speed Tap 4.....	21	20 – CDXW/CCWW 34-35 Hyd Ht - Replacement Parts List	32
10 – CDXW/CCWW Blower Perf - C.T. Motor - Speed Tap 3	21	21 – CDXW/CCWW 36-37 Hyd Ht - Replacement Parts List	33
11 – CDXW/CCWW Blower Perf - C.T. Motor - Speed Tap 2	22		

CONTACT INFORMATION

Manufactured and Distributed by:

Mortex Products Inc
501 Terminal Rd
Fort Worth, TX 76106

www.mortx.com

SECTION 1: GENERAL

The following list includes important facts and information regarding this air handler.

1. Electric heat models are rated for 208-240 VAC/1-phase/60 Hz and hydronic heat models are rated for 115 VAC/1-phase/60 Hz.
2. This air handler is not designed to be operated on a 50 Hz power supply.
3. This air handler is designed for both A/C and heat pump applications.
4. This air handler is designed for horizontal applications only.
5. This air handler must not be operated without the access panels installed.
6. This air handler and its components listed are listed by ETL for the United States and Canada.

USERS MUST READ ALL INSTRUCTIONS IN THIS MANUAL.

THIS MANUAL MUST BE SAVED FOR FUTURE REFERENCE.



This is a safety alert symbol. When you see this symbol on labels or in manuals, be alert to the potential for personal injury.

Understand and pay particular attention to the signal words **DANGER**, **WARNING**, or **CAUTION**.

DANGER: Indicates an imminently hazardous situation, which if not avoided, **will result in death or serious injury**.

WARNING: Indicates a potentially hazardous situation, which if not avoided, **could result in death or serious injury**.

CAUTION: Indicates a potentially hazardous situation, which if not avoided, **may result in minor or moderate injury**. It is also used to alert against unsafe practices and hazards involving property damage.

WARNING

FIRE OR ELECTRICAL HAZARD

Failure to follow the safety warnings exactly could result in serious injury, death, or property damage.

A fire or electrical hazard may result causing property damage, personal injury or loss of life.

Do not store or use gasoline or other flammable vapors and liquids in the vicinity of this air handler or any other appliance.

WARNING

Any adjustment, service or maintenance by the homeowner and/or user may create a condition where the operation of the product could cause personal injury or property damage.

Only qualified service personnel, a contractor, or an installer may refer to the service and maintenance section of this manual for assistance or for additional service or repair information on this air handler.

CAUTION

This air handler requires periodic routine maintenance and cleaning of the exterior surfaces by the homeowner or user to remove dust and debris. Any additional service must be performed by qualified personnel. This air handler must be serviced and maintained as specified in these instructions and/or to any applicable local, state, and national codes including, but not limited to building, electrical, and mechanical codes.

DANGER

Do not use this air handler if any part has been under water. A flood damaged air handler is extremely dangerous. Attempts to use the air handler can result in a fire.

A qualified contractor, installer, or service agency must be contacted to inspect the air handler for any water damage and replace all components, control system parts, or electrical parts that have been damaged. If enough damage is present, the air handler may need to be replaced.

WARNING

FIRE OR ELECTRICAL HAZARD

Servicing heating/cooling equipment can be hazardous due to electrical components.

Only trained and qualified personnel can service or repair heating/cooling equipment. The homeowner must never try to perform service, repair or maintenance on this air handler.

Untrained service personnel can perform only basic maintenance functions such as cleaning of exterior surfaces and replacing the air filters.

Observe all precautions in the manuals and on the attached labels when working on this air handler.

WARNING

RISK OF FIRE

This unit is equipped with a refrigerant leak detection system for safety and with electrically powered safety measures. To be effective, the unit must be electrically powered at all times after installation, other than when servicing.

SAFETY REQUIREMENTS

1. This air handler must be kept clear and free of combustible materials, gasoline and other flammable vapors and liquids.
2. Never store flammable materials of any kind near this air handler. Gasoline, solvents and other volatile liquids should be stored only in approved containers outside the home. These materials vaporize easily and are extremely dangerous.
3. Insulating materials may be combustible. The air handler must be kept free and clear of insulating materials. The air handler area must be examined when installed in an insulated space or when insulation is added to be sure that the insulation material has been kept away from the air handler.
4. Follow the instructions exactly as shown in the Section 4: Startup and Shutdown Instructions section of this manual to properly startup or shutdown this air handler.
5. If overheating occurs, turn off the power to the air handler and contact a qualified contractor, installer, or service company.

6. Never store cleaning materials such as bleaches, detergents, powder cleaners, etc. near this air handler. These chemicals can cause corrosion of the air handler sheet metal and electric heaters, blower and electrical controls.
7. Never use the area around the air handler as a storage area for items which could block or obstruct the airflow to the space around the air handler. This flow of air is required for safe and proper operation. Never block or obstruct air openings used for ventilation and cooling of the air handler electrical components.
8. Refer to the air handler rating plate for requirements for safe operation.
9. Provide adequate clearance for service access to the control box, electric heat elements or hydronic coil, and blower.
10. Failure to carefully read and follow all instructions in this manual can result in malfunction of the air handler which can cause, death, personal injury, and/or property damage.
11. If the air handler is installed in a residential garage, it must be installed so that the electric heaters are located not less than 18 inches above the floor and the air handler must be located or protected to avoid physical damage by vehicles.
12. These instructions cover minimum requirements and conform to existing national standards and safety codes. In some cases, these instructions exceed certain local codes and ordinances, especially those who have not kept up with changing modular home and residential home construction practices. These instructions are to be followed and are the minimum requirement to perform service or repairs on this air handler.
13. Installation, servicing and maintenance must only be performed by qualified service personnel that are licensed by the state to install, service, and repair HVAC equipment and those who have successfully completed a course in handling, installing, commissioning, maintenance, servicing, repairing, decommissioning, and disposal of equipment using a flammable refrigerant offered by an accredited national training organization or the manufacturer of the equipment.
14. This air handler is for use at elevations of 10,000 ft (3,048m) or less.
15. This air handler is not to be used by persons (including children) with reduced physical, sensory or mental capabilities, or lack of experience and knowledge, unless they have been given supervision or instruction concerning use of this air handler by a person responsible for their safety. Children must not be allowed to play with this air handler.

 **WARNING**

Do not use Methanol water or Ethanol in any systems operating above 40°F as the flash point specified for these chemicals is only 54°F.

 **WARNING**

Minimum Allowable Operating Temperatures – Water/Brine:
Water = 36°F (2.22°C)
Brine Solution = 3.2°F (-16°C)
Maximum Allowable Operating Temperatures – Water/Brine:
Water = 180°F (82.22°C)
Brine Solution = 40°F (4.44°C)

HOW THE AIR HANDLER WORKS

Electric Heat Models - Heating Cycle

When the thermostat calls for heat on a electric heat model, 24 VAC is sent through the limit controls to the heater contactor coil. The contactor electrical contacts close which sends 208 - 240 VAC to the electric heating elements causing them to get hot. The indoor fan motor is then energized on the selected heating speed tap and the circulating blower draws cool air from the living space, passes it across the heater elements, and pushes the warmed air through the duct work into the living space. When the thermostat is satisfied, the electric heating elements and indoor fan motor are de-energized. The heating cycle has ended and the air handler is in the stand-by mode until the thermostat initiates the next call for heat.

Hydronic Heat Models - Heating Cycle

When the thermostat calls for heat on a hydronic heating model, 24 VAC is sent to the "W" terminal on the electronic hydronic control board. If the air handler is equipped with a water pump, the control board will energize the pump causing hot water to flow through the hot water coil which causes the coil to get hot. The indoor fan motor is energized on the heating speed tap (speed tap connected to the LOW terminal on the hydronic control board) after the selected "ON" time delay and the circulating blower draws cool air from the living space, passes it across the hot water coil, and pushes the warmed air through the duct work into the living space. When the thermostat is satisfied, the circulating pump is de-energized and the blower is also de-energized after the selected "OFF" time delay. The heating cycle has ended and the air handler is in the stand-by mode until the thermostat initiates the next call for heat.

Electric and Hydronic Heat Models - Cooling Cycle

When the thermostat calls for cooling, 24 VAC is sent to the compressor contactor in the outdoor unit causing it to close which energizes the compressor and the outdoor fan motor. The indoor fan motor is energized on the selected cooling speed tap after the selected "ON" time delay ("ON" time delay on hydronic heat models only) and the circulating blower draws air from the living space, passes it across the cold refrigerant coil in the air handler and pushes the cooled air through the duct work into the living space. When the thermostat is satisfied, the compressor, outdoor fan motor, and indoor blower motor are de-energized. Hydronic heat models have a blower motor "OFF" delay. The cooling cycle has ended and the air handler is in the stand-by mode until the thermostat initiates the next call for cooling.

Electric and Hydronic Heat Models – Heat Pump Heating Cycle

When the thermostat calls for the heat pump heating mode, 24 VAC is sent to the compressor contactor in the outdoor unit causing it to close which energizing the compressor and the outdoor fan motor. The position of the reversing valve in the outdoor unit is switched to the heating mode causing the flow of the refrigerant to heat the refrigerant coil inside the air handler. The indoor fan motor is energized on the selected speed tap (same as the cooling mode) after the selected "ON" time delay ("ON" time delay on hydronic heat models only) and the circulating blower draws air from the living space, passes it across the warm refrigerant coil in the air handler, and pushes the warmed air through the duct work into the living space. When the thermostat is satisfied, the compressor, outdoor

fan motor, and indoor fan motor are de-energized. Hydronic heat models have a blower motor "OFF" delay. The heating cycle has ended and the air handler is in the stand-by mode until the thermostat initiates the next call for heat.

While Homeowner or User is Away

The air handler is equipped with safety shutoff devices which are designed to prevent the air handler from overheating in case of a malfunction. If the blower motor fails, the heating system will cycle on the safety shutoff devices while the temperature inside the home continues to drop. Water pipes will freeze once the temperature falls below 32°F.

If the homeowner or user is planning to be away for an extended period of time, someone should be asked to check on the home every day, especially when the outside temperature is expected to fall below 35°F, to ensure the air handler is operating properly and to prevent water pipes from freezing.

If Air Handler Fails to Operate Properly

If any abnormalities are observed while the air handler is operating normally, perform the following checks:

1. Check the setting on the thermostat to make sure the thermostat is set above the room temperature in the heating mode or below the room temperature in the cooling mode.
2. Check to see if the electrical power is turned on at the circuit breakers in the main electrical panel (circuit breaker box) or check to make sure the air handler service disconnect ON/OFF switch is turned to the ON position.
3. Make sure the air filters are clean, return grilles clean, are not obstructed, and supply air registers are open.

If the cause of the malfunction is not obvious, the homeowner or user must not attempt to repair the air handler. Call a qualified service company to repair the air handler.

Annual Inspection and Servicing of Air Handler

If the air handler gives any indication of improper operation, the homeowner should call a qualified service technician to inspect, diagnose, and correct the problem. It is strongly recommended that the air handler be inspected and serviced by a qualified service technician annually, preferably at the start of each heating season. The technician can identify potential problems and make corrections before trouble develops. Preventative maintenance of this type will allow the air handler to operate with minimal concerns to the homeowner for many years.

The service technician should perform the following checks during the annual inspection.

1. Confirm the physical support of the air handler is sound with no sagging.
2. Confirm there are no loose fasteners.
3. Confirm the condensate drain lines and hot water lines (hydronic models) are not leaking or sagging.
4. Confirm the air handler casing and condensate drain pan have no obvious signs of deterioration from rust or corrosion.
5. Confirm the return and supply duct connections are physically sound and are sealed to the air handler casing.
6. Operate the air handler in all modes to assure proper functioning.

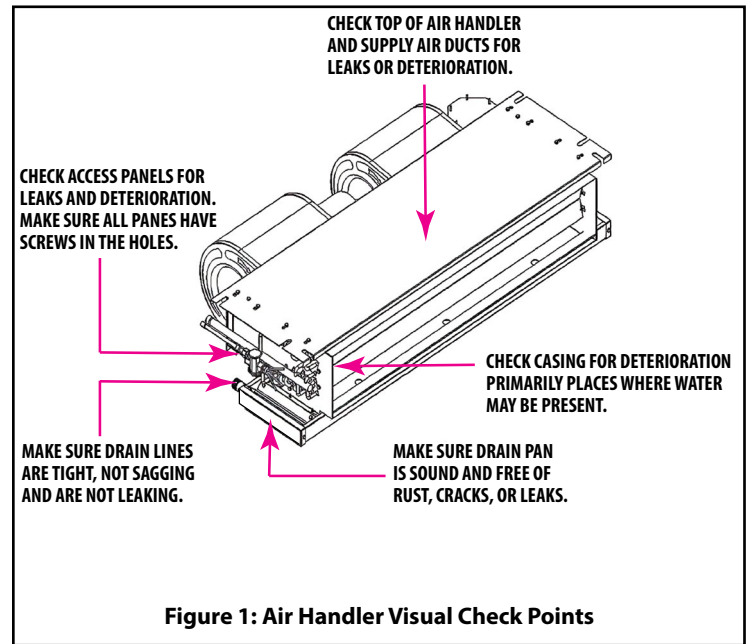


Figure 1: Air Handler Visual Check Points

Warranty and Responsibilities

It is the responsibility of the homeowner to make certain the air handler has been properly installed and adjusted to operate properly.

The manufacturer warrants the air handler to be free from defects in material or workmanship for a stated time in the warranty agreement. The manufacturer is not be responsible for any repair costs to correct problems due to improper setup, improper installation, improper adjustments, installing parts or components that are not listed for use with this air handler, improper operating procedures by the user, or repairs performed by the homeowner or user.

Some specific examples of service calls that are excluded from warranty reimbursement are:

1. Correcting faulty ductwork (too few ducts, ducts too small, leaking ducts, etc.) that was causing insufficient airflow.
2. Correcting electrical wiring problems in the supply wiring to the air handler.
3. Resetting circuit breakers or service disconnect switches used for servicing.
4. Correcting problems caused by installation and operation of the outdoor unit or air quality device not approved for use with this air handler.
5. Adjusting or calibrating the thermostat.
6. Correcting problems caused by construction debris which has been drawn into the air handler.
7. Replacing fuses.
8. Correcting problems caused by dirty air filters Correcting problems caused by return or supply air restrictions.

Before installation of the air handler, the homeowner or user should work with the installer to gain a good understanding of what will and will not be covered under the warranty to prevent future misunderstanding.

When to Call For Service Assistance

Providing the service company with information about the air handler in advance of their service call will often result in the repairs being completed sooner. This includes the model number, serial number, and a description of the problem being experienced. This

information will enable the service company to possibly identify the source of the problem prior to the service call and arrive with the correct parts to fix the problem.

SERVICE AGENCY INFORMATION

Fill in Below

MODEL NUMBER: _____

SERIAL NUMBER: _____

SERVICE COMPANY: _____

ADDRESS: _____

TELEPHONE (DAYTIME): _____

TELEPHONE (EMERGENCY): _____

NOTES: _____

WARNING

AIR HANDLERS WITH ELECTRIC HEATERS

Should cycling of the electric heater over-temperature limit switches occur, turn the circuit breakers to the air handler in the main electrical panel (circuit breaker box) to the OFF position and call a qualified service company to troubleshoot and repair the air handler. Do not allow the electric heaters to cycle on the limit switches for an extended period of time.

SECTION 4: STARTUP AND SHUTDOWN INSTRUCTIONS

WARNING

Failure to follow the Start-Up and Shutdown instructions below may result in a fire causing property damage, personal injury, and/or loss of life.

The following instructions should be read before trying to start the air handler.

- A. **BEFORE OPERATING:** Check around perimeter of the air handler to make sure there are no flammable materials in the area. If flammable materials or flammable vapors are smelled or otherwise detected, do not turn the power to the air handler on until the vapors have been ventilated and removed from the area around the air handler.
- B. **CHECK THE FURNACE:** Visually check the air handler for loose screws and access panels that may be missing or have fallen off.
- C. **CHECK DUCT CONNECTIONS:** Visually check the connections of the air ducts to the air handler to make sure there are no gaps or holes and that the ducts are securely fastened to the air handler and sealed.

Turning On / Starting the Air handler

STOP! Read the safety information above before proceeding.

1. Set the thermostat HEAT/COOL switch to the OFF position and FAN switch to the AUTO position.
2. Turn on the electrical power to the air handler at the main electrical panel (circuit breaker box).

3. Turn the air handler electrical service disconnect switch for the air handler to the ON position.
4. Close the ceiling access panel if it is open.
5. Set the thermostat HEAT/COOL switch, FAN switch, and temperature set point to the desired settings.

Shutting Down / Turning Off the Air handler

1. Set the thermostat HEAT/COOL switch to the OFF position and FAN switch to the AUTO position.
2. If the air handler is operating at the time the thermostat is turned to the OFF position, wait until the air handler has completed its cycle and has shut down before turning off the power to the air handler.
3. Turn the air handler electrical service disconnect switch to the OFF position.
4. Turn off the electrical power to the air handler at the main electrical panel (circuit breaker box).

Air handlers require regular maintenance in order for them to continue to operate properly. The annual service must be performed by qualified service personnel. The homeowner is expected to perform general cleaning of the exterior surfaces and replacement of the return air filter. The return air filter must be checked every 1 to 3 months and replaced as required. The air filter will either be located in a louvered ceiling access panel underneath the air handler or in a return air filter grille located on a wall or ceiling near the air handler. Figure 3 shows a louvered ceiling access panel and Figure 5 shows a return air filter grille.

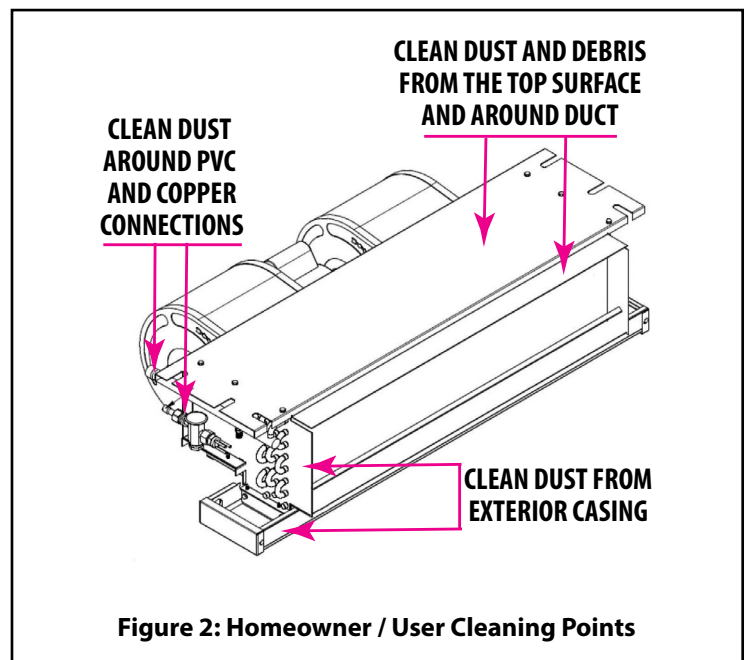


Figure 2: Homeowner / User Cleaning Points

SECTION 5: OWNER MAINTENANCE

Louvered Ceiling Access Panel Air Filter Replacement

Most horizontal air handlers have 1 or 2 filters located in a louvered access panel in the ceiling directly under the air handler. The louvered ceiling access panel has 1 or 2 air filter racks designed to retain standard 1" thick disposable air filters. Below are the required steps to replace the air filter in a louvered ceiling access panel.

1. Follow the procedure "Shutting Down / Turning Off the Air handler" in **SECTION 4: Startup and Shutdown Instructions** on page 5 of these instructions.

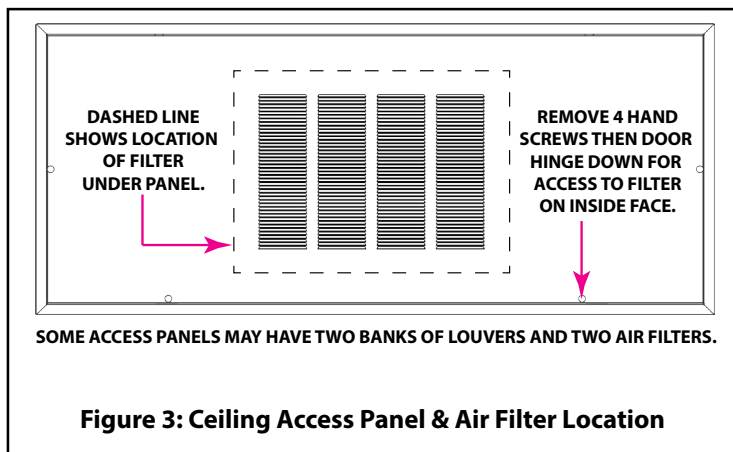
2. Remove the thumb screws on the louvered ceiling access panel.
CAUTION: Be very careful when removing the last thumb screw because the panel can swing down quickly and cause injury.
3. Allow the access panel to rotate downward and hang vertically.
4. Remove the old air filter from the filter rack.

NOTE: The air filter is disposable. do not attempt to clean the filter and reuse it.

5. Clean any dust or debris from both sides for the louvers and around the area where the filter is placed before the new air filter is installed.
6. Place new standard disposable filters into the filter rack that are the same size as removed.

NOTE: Make sure the flow arrows on the air filter are pointing away from the louvers in the access panel.

7. Lift the access panel into the closed position and tighten the thumb screws until the panel is securely fastened to the frame assembly.
8. Follow the **“Turning On / Starting the Air handler”** in **SECTION 4: Startup and Shutdown Instructions** in this manual.



WARNING

IMPACT HAZARD

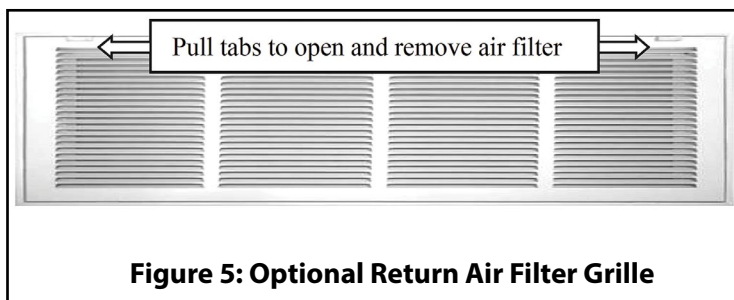
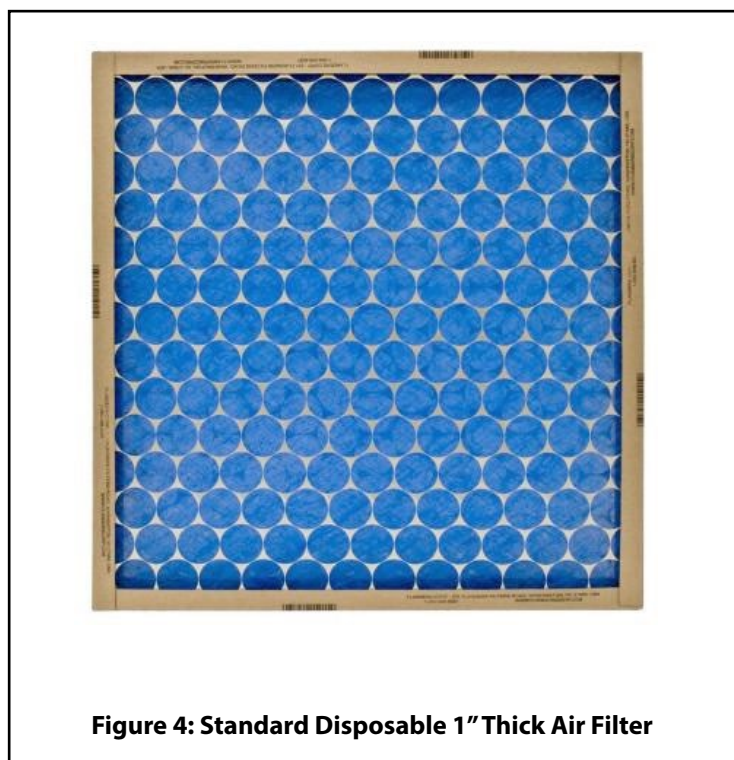
Use extreme caution when removing the ceiling access panel thumbscrews that secure the access panel to the frame assembly. Once the last thumb screws has been removed, the access panel will swing down very quickly and strike a person standing under it unless it is properly supported by a free hand.

The louvers on the ceiling access panel have sharp edges which can cut hands or fingers. The use of gloves is recommended when handling the access panel to prevent injury.

Air Filter Replacement – Optional Filter Grille

If a non-louvered ceiling access panel is used, the air filter(s) for the air handler will be located in one or more return air filter grille(s) on a wall or in the ceiling near the air handler. Below are the required steps to replace the air filter in a return air filter grille.

1. Follow the procedure **“Shutting Down / Turning Off the Air handler”** in **SECTION 4: Startup and Shutdown Instructions** in this manual.
2. Remove the thumb screws or pull the tabs out on the front of the filter grille that secure the grille to the frame.
3. Pull the grille outward (wall mount) or downward (ceiling mount).
4. Remove the air filter.
NOTE: The air filter is disposable. DO NOT attempt to clean the filter and reuse it.
5. Clean any access dirt or debris around the front area where the air filter is located.
6. Slide a new disposable filter the same size as the one removed into the filter rack.
NOTE: Make sure the flow arrows on the air filter are pointing away from the louvers in the filter grille.
7. Push the grille into the frame and tighten the thumb screws or push the tabs in to secure the grille to the frame.
8. Follow the **“Turning On / Starting the Air handler”** in **SECTION 4: Startup and Shutdown Instructions** in this manual.



SERVICE AND MAINTENANCE MANUAL

SECTION 1: SAFETY

This section has been designed to assist qualified service personnel in performing service and maintenance on this air handler.

The homeowner or user must never attempt to perform any service or maintenance on the air handler that involves the removal or adjustment of any parts or components.

WARNING

The manufacturer or wholesale distributor will not be responsible for any repairs due to removal of parts or improper parts changes, improper maintenance, improper adjustments or improper modifications to this air handler that were performed by the homeowner or user.

The manufacturer will not be responsible if the homeowner or user uses this section of these instructions in an attempt to perform maintenance or repairs to the air handler. This practice is very dangerous and may result in property damage, personal injury, loss of life and/or will void the air handler warranty.



This is a safety alert symbol. When you see this symbol on labels or in manuals, be alert to the potential for personal injury.

Understand and pay particular attention to the signal words **DANGER**, **WARNING**, or **CAUTION**.

DANGER: Indicates an imminently hazardous situation, which if not avoided, **will result in death or serious injury**.

WARNING: Indicates a potentially hazardous situation, which if not avoided, **could result in death or serious injury**.

CAUTION: Indicates a potentially hazardous situation, which if not avoided, **may result in minor or moderate injury**. It is also used to alert against unsafe practices and hazards involving property damage.

CAUTION

This product must be serviced and maintained as specified in these instructions and/or to any applicable local, state, and national codes including, but not limited to building, electrical, and mechanical codes.

WARNING

ALWAYS SHUT OFF ELECTRICITY AT THE DISCONNECT SWITCH OR TURN OFF THE CIRCUIT BREAKERS IN THE MAIN ELECTRICAL PANEL BEFORE PREFORMING ANY SERVICE ON THIS AIR HANDLER.

WARNING

FIRE OR ELECTRICAL HAZARD

Failure to follow the safety warnings exactly could result in serious injury, death, or property damage.

A fire or electrical hazard may result causing property damage, personal injury or loss of life.

WARNING

FIRE HAZARD

NEVER CONNECT A JUMPER BETWEEN THE "R" & "W" THERMOSTAT WIRES

Placing jumper wire between the RED and WHITE thermostat wires at the air handler in order to override the thermostat and energize the heater elements is an extremely dangerous practice that can result in damage to the thermostat, dangerous operation, serious injury, property damage and/or death.

WARNING

ELECTRICAL SHOCK, FIRE HAZARD

Failure to follow the safety warnings and improper servicing may result in fire, dangerous operation, serious injury, property damage, and/or death.

- Before servicing, disconnect all electrical power to the air handler at the main electrical panel (circuit breaker box) and turning the air handler service disconnect switch to the OFF position. Disconnect electrical power to any accessories that may be powered by a separate power supply.
- When servicing controls, label all wires prior to disconnecting to aid in proper reconnection of wires.
- Verify proper operation after servicing by adjusting the thermostat set point above the room temperature (heating) or below the room temperature (cooling) for a brief period of time to ensure proper air handler operation.

WARNING

Improper adjustment, service or maintenance may create a condition where the operation of the product could cause personal injury or property damage.

Refer to this manual for assistance or for additional information consult the Technical Support Group.

SAFETY REQUIREMENTS

1. Air handlers with electric heaters have a 2-pole terminal block or line voltage pigtailed for connecting the electrical supply wires and a 2-pole heater contactor. It is important to check each electrical circuit with a meter to assure the power has been disconnected.
2. Insulating materials may be combustible. The air handler must be kept free and clear of insulating materials.
3. Follow the instructions as shown in the **SECTION 4: Startup and Shutdown** in the User Information portion of this manual to properly start or shut down this air handler.
4. Make sure all moving parts have come to a complete stop before attempting to perform any work on this air handler. Clothing or body parts can get caught in moving parts and cause serious injury.
5. Repair and maintenance to electrical components shall include initial safety checks and component inspection procedures. If a fault exists that could compromise safety, then no electrical supply shall be connected to the circuit until it is satisfactorily dealt with. If the fault cannot be corrected immediately but it is necessary to continue operation, an adequate temporary solution shall be used. This shall be reported to the owner of the equipment so all parties are advised.
6. Initial safety checks shall include:
 - that capacitors are discharged: this shall be done in a safe manner to avoid possibility of sparking;
 - that no live electrical components and wiring are exposed while charging, recovering or purging the system;
 - that there is continuity of earth bonding.
7. Check that cabling will not be subject to wear, corrosion, excessive pressure, vibration, sharp edges or any other adverse environmental effects. The check shall also take into account the effects of aging or continual vibration from sources such as compressors or fans.
8. Installation, servicing and maintenance must only be performed by qualified service personnel that are licensed by the state to install, commission, service, repair, decommission, and dispose of HVAC equipment and those who have successfully completed a course in handling, installing, maintenance, servicing, and repairing equipment using a flammable refrigerant offered by an accredited national training organization or the manufacturer of the equipment.
9. Sealed electrical components must be replaced when they fail.
10. Intrinsically safe components must be replaced when they fail.

Maximum Operating Temperature for Heat Pump Applications

For heat pump applications, the maximum outdoor temperature recommended by the manufacturer while the system is operating in the heating mode is 70°F/23.9°C.

Proper Safe Working Procedures for Equipment Using Flammable Refrigerants

Prior to beginning work on systems containing flammable refrigerants, safety checks are necessary to ensure that the risk of ignition is minimized. For repair to the refrigerating system, the following steps must be completed prior to conducting work on the system.

1. Work shall be undertaken under a controlled procedure so as to minimize the risk of a flammable gas or vapour being present while the work is being performed.
2. All maintenance staff and others working in the local area shall be instructed on the nature of work being performed. Work in

confined spaces shall be avoided.

3. The area shall be checked with an appropriate refrigerant detector prior to and during work, to ensure the technician is aware of potentially toxic or flammable atmospheres. Ensure that the leak detection equipment being used is suitable for use with all applicable refrigerants, i.e. non-sparking, adequately sealed or intrinsically safe.
4. If any hot work is to be conducted on the refrigerating equipment or any associated parts, appropriate fire extinguishing equipment shall be available to hand. Have a dry powder or CO₂ fire extinguisher adjacent to the charging area.
5. No person performing work in relation to a refrigerating system which involves exposing any pipe work shall use any sources of ignition in such a manner that it may lead to the risk of fire or explosion. All possible ignition sources, including cigarette smoking, should be kept sufficiently far away from the site of installation, repairing, removing and disposal, during which refrigerant can possibly be released to the surrounding space. Prior to work taking place, the area around the equipment is to be surveyed to make sure that there are no flammable hazards or ignition risks. "No Smoking" signs shall be displayed.
6. Ensure that the area is in the open or that it is adequately ventilated before breaking into the system or conducting any hot work. A degree of ventilation shall continue during the period that the work is performed. The ventilation should safely disperse any released refrigerant and preferably expel it externally into the atmosphere.
7. Where electrical components are being changed, they shall be fit for the purpose and to the correct specification. At all times the manufacturer's maintenance and service guidelines shall be followed. If in doubt, consult the manufacturer's technical department for assistance.
8. The following checks shall be applied to installations using flammable refrigerants:
 - the actual refrigerant charge is in accordance with the room size within which the refrigerant containing parts are installed;
 - marking to the equipment continues to be visible and legible. Markings and signs that are illegible shall be corrected;
 - refrigerating pipe or components are installed in a position where they are unlikely to be exposed to any substance which may corrode refrigerant containing components, unless the components are constructed of materials which are inherently resistant to being corroded or are suitably protected against being so corroded.

9. Detection of Flammable Refrigerants

Under no circumstances shall potential sources of ignition be used in the searching for or detection of refrigerant leaks. A halide torch (or any other detector using a naked flame) shall not be used.

The following leak detection methods are deemed acceptable for all refrigerant systems.

Electronic leak detectors may be used to detect refrigerant leaks but, in the case of flammable refrigerants, the sensitivity may not be adequate, or may need re-calibration. (Detection equipment shall be calibrated in a refrigerant-free area.)

Ensure that the detector is not a potential source of ignition and is suitable for the refrigerant used.

Leak detection equipment shall be set at a percentage of the

LFL of the refrigerant and shall be calibrated to the refrigerant employed, and the appropriate percentage of gas (25 % maximum) is confirmed.

Leak detection fluids are also suitable for use with most refrigerants, but the use of detergents containing chlorine shall be avoided as the chlorine may react with the refrigerant and corrode the copper pipe-work.

NOTE: Examples of leak detection fluids are:

- bubble method,
- fluorescent method agents.

If a leak is suspected, all naked flames shall be removed/ extinguished.

If a leakage of refrigerant is found which requires brazing, all of the refrigerant shall be recovered from the system, or isolated (by means of shut off valves) in a part of the system remote from the leak. Removal of refrigerant shall be according to the procedure in step 10 below.

10. Removal and Evacuation

When breaking into the refrigerant circuit to make repairs or for any other purpose, conventional procedures shall be used. However, for flammable refrigerants, it is important that best practice be followed since flammability is a consideration. The following procedure shall be adhered to:

- safely remove refrigerant following local and national regulations;
- evacuate;
- purge the circuit with inert gas (optional for A2);
- evacuate (optional for A2L);
- continuously flush or purge with inert gas when using flame to open circuit; and
- open the circuit.

The refrigerant charge shall be recovered into the correct recovery cylinders if venting is not allowed by local and national codes. For appliances containing flammable refrigerants, the system shall be purged with oxygen-free nitrogen to render the appliance safe for flammable refrigerants. This process might need to be repeated several times. Compressed air or oxygen shall not be used for purging refrigerant systems. (Also see **Refrigerant Recovery Requirement** below.

For appliances containing flammable refrigerants purging shall be achieved by breaking the vacuum in the system with oxygen-free nitrogen and continuing to fill until the working pressure is achieved, then venting to atmosphere, and finally pulling down to a vacuum (optional for A2L). This process shall be repeated until no refrigerant is within the system (optional for A2L). When the final oxygen-free nitrogen charge is used, the system shall be vented down to atmospheric pressure to enable work to take place.

The outlet for the vacuum pump shall not be close to any potential ignition sources, and ventilation shall be available.

11. Charging Procedures

In addition to conventional charging procedures, the following requirements shall be followed.

- Ensure that contamination of different refrigerants does not occur when using charging equipment. Hoses or lines shall be as short as possible to minimize the amount of refrigerant contained in them.

- Cylinders shall be kept in an appropriate position according to the instructions.
- Ensure that the refrigerating system is earthed prior to charging the system with refrigerant.
- Label the system when charging is complete (if not already).
- Extreme care shall be taken not to overfill the refrigerating system .

Prior to recharging the system, it shall be pressure-tested with the appropriate purging gas. The system shall be leak-tested on completion of charging but prior to commissioning. A follow up leak test shall be performed prior to leaving the site.

12. Refrigerant Recovery Requirements

When removing refrigerant from a system, either for servicing or decommissioning, it is recommended good practice that all refrigerants are removed safely.

When transferring refrigerant into cylinders, ensure that only appropriate refrigerant recovery cylinders are employed. Ensure that the correct number of cylinders for holding the total system charge is available. All cylinders to be used are designated for the recovered refrigerant and labeled for that refrigerant (i.e. special cylinders for the recovery of refrigerant). Cylinders shall be complete with pressure-relief valve and associated shut-off valves in good working order. Empty recovery cylinders are evacuated and, if possible, cooled before recovery occurs.

WARNING

FIRE HAZARD

For air handlers using A2L refrigerants connected via an air duct system to one or more rooms, only auxiliary devices approved by the air handler manufacturer or declared suitable with the refrigerant shall be installed in connecting ductwork.

The recovery equipment shall be in good working order with a set of instructions concerning the equipment that is at hand and shall be suitable for the recovery of the flammable refrigerant. If in doubt, the manufacturer should be consulted. In addition, a set of calibrated weighing scales shall be available and in good working order. Hoses shall be complete with leak-free disconnect couplings and in good condition.

The recovered refrigerant shall be processed according to local legislation in the correct recovery cylinder, and the relevant waste transfer note arranged. Do not mix refrigerants in recovery units and especially not in cylinders.

If compressors or compressor oils are to be removed, ensure that they have been evacuated to an acceptable level to make certain that flammable refrigerant does not remain within the lubricant. The compressor body shall not be heated by an open flame or other ignition sources to accelerate this process. When oil is drained from a system, it shall be performed safely.

13. Commissioning of the System

- Ensure that the floor area is sufficient for the refrigerant charge or that the ventilation duct is assembled in a correct manner.
- Connect the pipes and perform a leak test before charging with refrigerant.
- Check safety equipment before putting into service.

14. Maintenance of the Air Handler

- Ensure sufficient ventilation at the repair place.
- Be aware that malfunction of the equipment may be caused by refrigerant loss and a refrigerant leak is possible.
- Discharge capacitors in a way that won't cause any spark. The standard procedure to short circuit the capacitor terminals usually creates sparks.
- Reassemble sealed enclosures accurately. If seals are worn, replace them.
- Check safety equipment before putting the air handler into service.

15. Repair of the Air Handler

- Ensure sufficient ventilation at the repair place.
- Be aware that malfunction of the equipment may be caused by refrigerant loss and a refrigerant leak is possible.
- Discharge capacitors in a way that won't cause any spark.
- When brazing is required, the following procedures shall be performed in the following order:
 - Safely remove the refrigerant following local and national regulations. If the recovery is not required by national regulations, drain the refrigerant to the outside. Take care that the drained refrigerant will not cause any danger. In doubt, one person should guard the outlet. Take special care that drained refrigerant will not float back into the building;
 - Purge the refrigerant circuit with oxygen free nitrogen;
 - Evacuate the refrigerant circuit;
 - Remove parts to be replaced by cutting or brazing.
 - Purge the braze point with nitrogen during the brazing procedure required for repair.
 - Perform a leak test before charging with refrigerant.
- Reassemble sealed enclosures accurately. If seals are worn, replace them.
- Check safety equipment before putting system back into service.

16. Decommissioning of the Air Handler (Refer to Section 11 of this manual for additional information)

- If the safety is affected when the equipment is put out of service, the refrigerant charge shall be removed before decommissioning.
- Ensure sufficient ventilation at the equipment location.
- Be aware that malfunction of the equipment may be caused by refrigerant loss and a refrigerant leak is possible.
- Remove the refrigerant. If the recovery is not required by national regulations, drain the refrigerant to the outside. Take care that the drained refrigerant will not cause any danger. In doubt, one person should guard the outlet. Take special care that drained refrigerant will not float back into the building.

17. Disposal of the Air Handler (Refer to Section 11 of this manual for additional information)

- Ensure sufficient ventilation at the working place.
- Remove the refrigerant. If the recovery is not required by national regulations, drain the refrigerant to the outside. Take care that the drained refrigerant will not cause any danger. In doubt, one person should guard the outlet. Take special care that drained refrigerant will not float back into the building.
- When flammable refrigerants are used,
 - evacuate the refrigerant circuit.
 - purge the refrigerant circuit with oxygen free nitrogen.

WARNING

FIRE HAZARD

For air handlers using A2L refrigerants connected via an air duct system to one or more rooms with a floor area less than shown in Tables 29 and 30 in the Installation Instructions for this air handler, those rooms shall be without continuously operating open flames (e.g.: an operating gas appliance) or other potential ignition sources (e.g.: an operating electric heater, hot surfaces). A flame-producing device may be installed in the same space if the device is provided with an effective flame arrest

WARNING

RISK OF FIRE – FLAMMABLE REFRIGERANT APPLICATIONS
The ductwork connected to this air-handler shall not contain an ignition source.

Auxiliary devices which may be a potential ignition source shall not be installed in the duct work. Examples of such potential ignition sources are hot surfaces with a temperature exceeding 1292°F (700°C) and electric switching devices.

Only auxiliary devices approved by the air-handler manufacturer or declared suitable with the refrigerant shall be installed in connecting ductwork.

WARNING

RISK OF FIRE – FLAMMABLE REFRIGERANT APPLICATIONS
If any refrigerating circuit contains more than 62.6 oz (1.776 kg) of R-454B refrigerant or more than 64.6 oz (1.836 kg) of R-32 refrigerant, an unventilated area where the air-handler using a flammable refrigerant is installed shall be so constructed that should any refrigerant leak, it will not stagnate and create a fire or explosion hazard.

If the air duct system connected to one or more rooms with an area less than the minimum conditioned space floor area shown in "Minimum Conditioned Space and Airflow Tables" (Tables 29 and 30) found in the installation instructions for this air handler based on the total system refrigerant charge, that room shall be without continuously operating open flames (e.g.: an operating gas appliance) or other potential ignition sources (e.g.: an operating electric heater, hot surfaces). A flame-producing device may be installed in the same space if the device is provided with an effective flame arrest.

SECTION 2: AIR HANDLER MAINTENANCE

The interior of this air handler must be cleaned and adjusted by a qualified service contractor annually or prior to each heating or cooling season. The following items should be checked:

1. Blower wheel and motor for excessive dirt.
2. Electric heaters for wear, damage or corrosion.
3. Electrical components for excessive dust, dirt, wear, or deterioration.
4. Supply air duct system for excessive dust, dirt or debris.
5. Return air duct system for excessive dust, dirt or debris.
6. Electrical wiring for wear, insulation cracks and/or damage.
7. Indoor coil(s) for dust, debris or damage.
8. Condensate drain pan for proper drainage to prevent water backup into the air handler.
9. Air handler casing and interior sheet metal panels or dividers.

Air Handler Cleaning Procedure

1. Follow the instructions in **SECTION 4: Startup and Shutdown** of the **User Information** portion of this manual to properly shut down the air handler.
2. Open the ceiling access panel by removing the thumb screws.

CAUTION: Be very careful when removing the last thumb screw as the panel can swing down quickly and cause injury.

3. Blower Removal
 - a) Disconnect the wires connected to the motor controller terminal block.

NOTE: Write down the terminal block position for each wire before disconnecting the wires.

- b) Remove the screws that secure the blower assembly to the air handler chassis located on each side and at the top center of the blower mounting plate.
- c) Grasp the blower assembly and lift it up while pulling out on the bottom. Lower the blower assembly out of the blower compartment and set assembly on a table or the floor.

WARNING



RISK OF FIRE

Do not use means to accelerate the defrosting process or to clean, other than those recommended by the manufacturer.

The appliance shall be stored in a room without continuously operating ignition sources (e.g.: open flames, an operating gas appliance, or an operating electric heater).

Do not pierce or burn.

Be aware that refrigerants may not contain an odor.

WARNING

FIRE HAZARD

For air handlers using A2L refrigerants connected via an air duct system to one or more rooms, auxiliary devices which may be a potential ignition source shall not be installed in the duct work. Examples of such potential ignition sources are hot surfaces with a temperature exceeding 1290°F (700°C) and electric switching devices.

4. Use a vacuum cleaner and a small brush to remove any dirt and debris from the blower and evaporator coil compartments.
5. Check the condensate drain pan for any debris and check to see if the drain pan is draining properly by pouring water into it.
6. Remove any excess water that may have spilled from checking the condensate drain drainage.
7. Pour ½ cup of chlorine bleach in the drain pipe to kill any fungus that may be growing inside the pipe to prevent the condensate drain from plugging up.
8. Check in the area in the discharge of the blowers where the heating elements are located and remove any dust, dirt or debris from around the heating elements. Be careful not to damage the heating elements with the vacuum hose or the brush.
9. Check both blower wheels for dust and debris. Use the brush and the vacuum cleaner to remove any dust or debris from the wheels. Be careful not to accidentally move or remove the blower wheel balance weights located on the wheel blade. If any weight is moved or removed, the blower wheel will vibrate. If the blower wheel is vibrating, it must be replaced.
10. Check the blower motor for dust and debris. Clean the openings in the motor housing. These openings are for cooling the motor. Plugged motor housing openings will cause the motor to run hotter than normal and will shorten the life of the motor.
11. Clean dust in the supply and return ducts with a brush and vacuum cleaner as far as can be reached. If the ducts have an excessive amount of dust, dirt or debris, recommend that the homeowner or user call a professional duct cleaning service to properly clean the duct system.

NOTE: Dust is flammable and can cause a fire.

12. Check and clean any dust, dirt, or debris from the controls and surfaces inside the control box. Dust or dirt on the components can cause the controls to overheat and fail prematurely.
13. Check the indoor coil for dust or dirt buildup. If dirty, use a non-corrosive spray specifically designed to clean air-conditioning coils. Remove the electric heating elements (electric heat models) before cleaning the coil so the coil cleaner doesn't get on the elements. Follow the procedure found later on this page for removing the electric heating elements. After the heating elements have been removed (if applicable), spray the entire surface of the coil. Rinsing the coil is unnecessary as the condensate will rinse the coil when the system is operated in the cooling mode.
14. Reinstall the electric heating elements as described in the procedure for reinstalling the electric heating elements in the next column on this page.
15. Lift the blower assembly into place while pushing in on the bottom and pulling down to set the blower mounting plate into place.

16. Replace the screws on the blower mounting plate that were removed in Step 3.
17. Reconnect the blower motor leads that were disconnected in Step 3.
18. Reattach the motor guard to the control box and reinstall the control box cover.
19. Close the ceiling access panel and secure the panel with the thumb screws.
20. Follow the instructions in **SECTION 4: Startup and Shutdown** of the **User Information** portion of this manual to properly start the air handler.

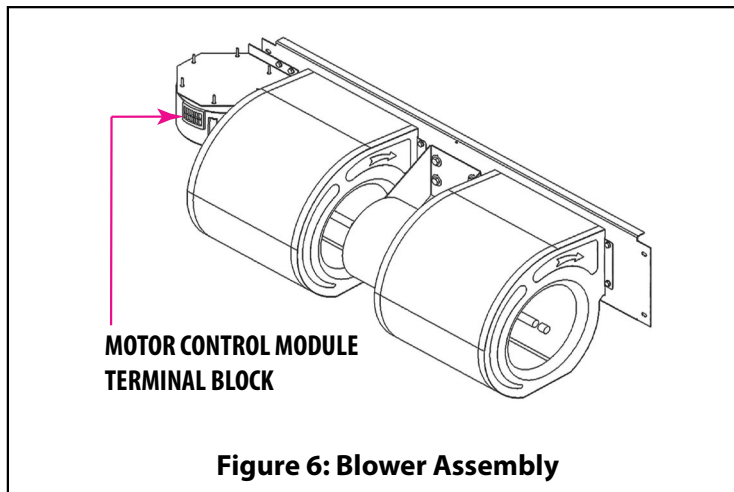


Figure 6: Blower Assembly

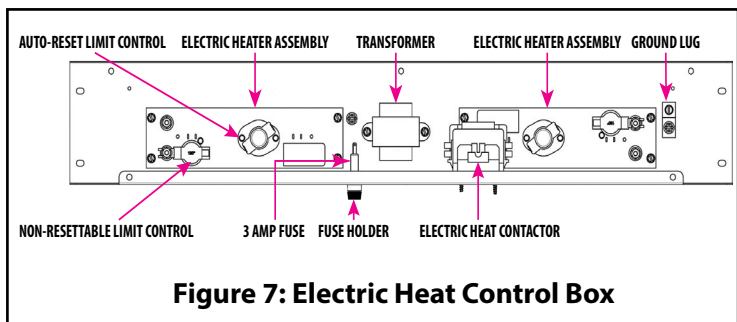


Figure 7: Electric Heat Control Box

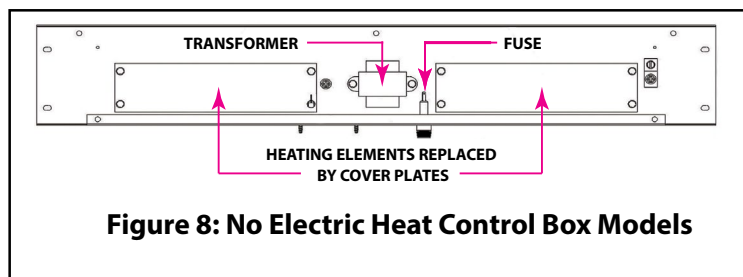
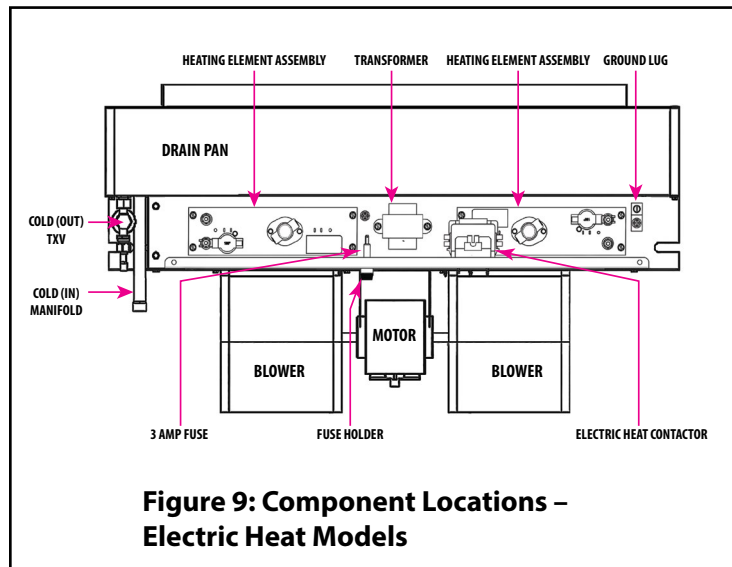


Figure 8: No Electric Heat Control Box Models



**Figure 9: Component Locations –
Electric Heat Models**

Removing and Reinstalling the Electric Heating Elements

1. Follow the instructions in **SECTION 4: Startup and Shutdown** of the **User Information** portion of this manual to properly shut down the air handler.
2. Open the ceiling access panel by removing the thumb screws.

CAUTION: Be very careful when removing the last thumb screw as the panel can swing down quickly and cause injury.

3. Remove the control box cover.
4. Unplug the blower motor female plug (BMFP) from the mating plug located on the control box.
5. Disconnect the electrical supply wires and ground wire from the terminal block and ground lug. Remove the strain relief that is securing these wires and remove the wires from the control box.
6. Remove the 5 screws that secure the control box to the air handler and remove the control box. The electric heating elements are attached to the control box and will come out with the control box.

NOTE: Take care not to damage the heating elements when removing the control box.

7. Remove the wires from the heating element screw terminals.
8. Remove the screws that secure the auto-reset and non-resettable limit controls to the heating element mounting plate and remove the limit controls (See Figure 7).
9. Remove the 4 screws that secure the heating element to the control box and remove the element.
10. Insert the new heating element into the control box and secure it with the screws that were removed in Step 9.
11. Install the auto-reset and non-resettable limit controls into the appropriate holes in the heating element mounting plate and secure them with the screws removed in Step 7.
12. Reconnect the wiring that were removed in Step 7.
13. Reinstall the control box and secure it the air handler with the screws that were removed in Step 6.

NOTE: Take care not to damage the heating elements when installing the control box.

14. Reconnect the wiring that was removed in Steps 4 and 5.
15. Reinstall the control box cover.
16. Close the ceiling access panel and secure it to the frame assembly with the thumb screws.

17. Follow the instructions in **SECTION 4: Startup and Shutdown** of the **User Information** portion of this manual to properly start the air handler.

SECTION 3: AIR HANDLER CONTROLS

Electric Heat Models

This section explains how the electric heat air handler controls operate. Refer to Figures 6 - 11 for component locations.

- Limit Controls** – Each electric heating element has a limit control directly in front of it to sense overheating of the element and open if the temperature gets above the set point of the limit control. In addition to the automatic reset limit switch, each heating element has a non-resettable (one-shot) limit switch that will interrupt 208/240 VAC to the heating element should the automatic reset limit switch fail to function properly in an over temperature situation
- Heater Contactor** – The electric heater contactor turns the heating elements on and off and is controlled by the thermostat. On a call for heat, 24 VAC is sent to the contactor's 24 VAC coil which closes the contactor electrical contacts. When the call for heat has been satisfied, 24 VAC is removed from the contactor coil which opens the contactor's electrical contacts.
- Transformer** – The transformer is used to step the incoming line voltage down from 208/240 VAC to 24 VAC which is used for the system control circuit.
- Refrigerant Leak Detection System** – A refrigerant sensor is located below the blower motor. Should a refrigerant leak occur in the coil itself or tubing, the sensor will detect the leak and energize the indoor blower and disable the outdoor unit compressor. The leak detection system consists of a single device that houses a refrigerant sensor and internal relays. Refer to Figure 11 for the location of the refrigerant leak sensor.

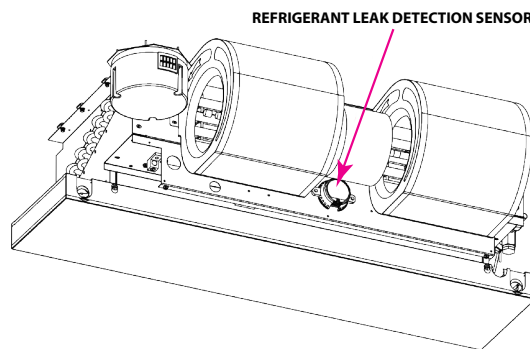


Figure 11: Refrigerant Leak Detection Sensor Location

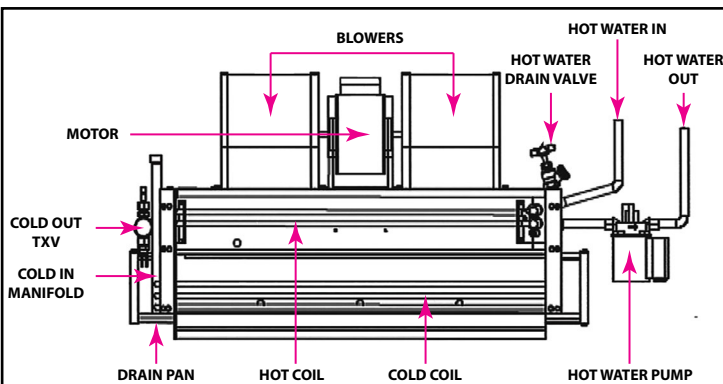


Figure 12: Component Locations – Hydronic Heat Models

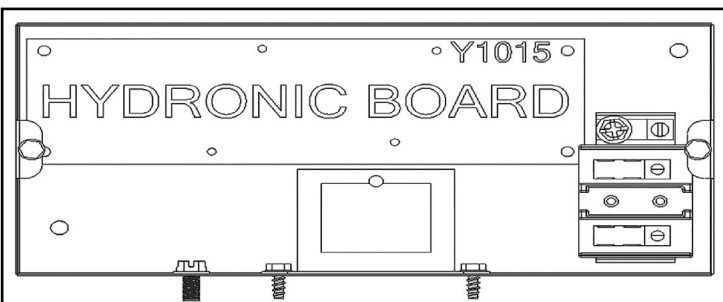


Figure 13: Hydronic Heat Control Box – No Pump

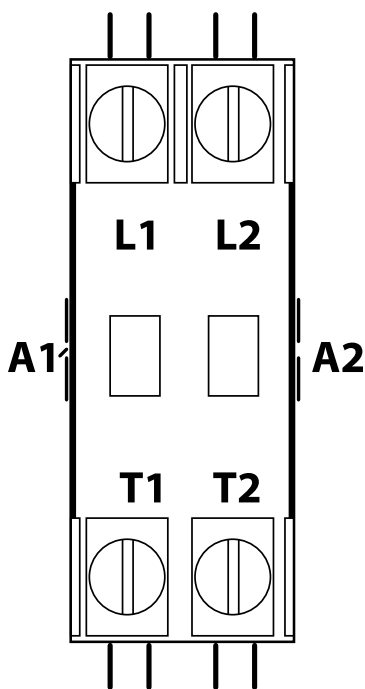


Figure 10: Electric Heater Contactor

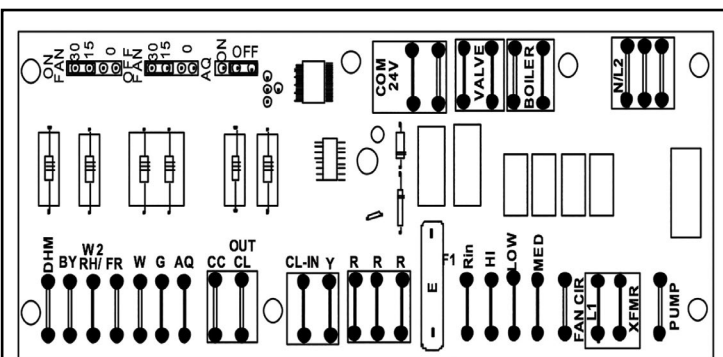


Figure 14: Hydronic Control Board for Constant Torque Motors

Hydronic Heat Models

This section explains how the hydronic air handler controls operate. Refer to Figures 11 and 14 for component locations.

1. **Transformer** – The transformer is used to step the incoming line voltage down from 115 VAC to 24 VAC which is used for the system control circuit.
2. **Hydronic Control Board** – The hydronic control board is factory installed and controls the operation of air handler components.
3. **Water Pump**: The water pump power leads are connected to the “PUMP” terminals on the hydronic control board. When there is a call for heat, a 24 VAC signal from the thermostat “W” terminal to the “W” terminal on the hydronic control board energizes the pump and starts the flow of water to the heating coil. When the call for heat has been satisfied, the pump is de-energized and the flow of water to the coil stops. The air handler is now in the standby mode awaiting the next call for heat.
4. **Blower Motor**: The hydronic control board has 3 speed terminals for the blower motor. The “HI” terminal is energized with 24VAC in the normal cooling mode and the “MED” terminal is energized with 24VAC in the cooling dehumidification mode. The “LOW” terminal is energized in the heating mode. The FAN CIR terminal is energized with 24VAC in the continuous mode when there is no call for cooling or heating. The hydronic control board has two jumper pins for selecting the blower motor “ON” and “OFF” delays. The blower “ON” and “OFF” delays can be set independently at 0, 15, or 30 seconds.
5. **Refrigerant Leak Detection System** – A refrigerant sensor is located below the blower motor. Should a refrigerant leak occur in the coil itself or tubing, the sensor will detect the leak and energize the indoor blower and disable the outdoor unit compressor. The leak detection system consists of a single device that houses a refrigerant sensor and internal relays. Refer to Figure 11 for the location of the refrigerant leak sensor.

Hydronic Control Board Terminals and Descriptions

The terminals and functions are explained below.

Line Voltage Terminals

- L1** – Supply Voltage (115 VAC) to the control
- L2** – Supply Neutral (115 Neutral) to the control
- XFMR and L2** – 115 VAC supply to transformer
- Pump and L2** – 115 VAC to the water pump

24 VAC Terminals

- Rin** – 24 VAC supply from the transformer
- 24V COM** – 24 VAC common from the transformer
- R** – Fused 24 VAC output connections
- Y** – Connect to the thermostat Y terminal
- CC** – Connect CC and **24V COM** to the compressor contactor on the outdoor unit.
- CLin & Clout** – connections for compressor lockout switch on hot water coil or jumper wire.
- AQ** – 24 VAC from aquastat temperature switch
- G** – 24 VAC from thermostat G terminal
- W** – 24 VAC from thermostat W terminal
- FR** – 24 VAC from freeze protection switch
- RH/W2** – 24 VAC from thermostat W2 terminal
- BY** – 24 VAC from the priority switch on tank less heater
- DHM** – 24 VAC from thermostat DHM terminal
- VALVE** – 24 VAC and 24V COM to zone valve
- BOILER** – switch, connect to “T” terminals on boiler aquastat
- HI & COM** – 24 VAC cooling speed tap to blower motor.
- MED & COM** - 24 VAC dehumidification speed tap to blower motor.

LOW & COM - 24 VAC heating speed tap to blower motor.

FAN CIR & COM – 24 VAC continuous fan speed tap to blower motor.

CLin and Clout – These terminals must be connected to transfer 24 VAC from the Y terminal to the CC terminal. When the compressor lockout switch is used, the switch is secured to the water coil. The two yellow wires are connected to the CLin and the Clout terminals. When the temperature of the water coil reaches 38°F, the switch opens which de-energizes the CC terminal on the control board. When the water temperature has risen above 42°F the compressor lockout switch will close. The control will send 24 VAC to the CC terminal on the control board.

NOTE: If the compressor lockout switch is not used, place a jumper wire between CLin and Clout to get 24 VAC from the Y terminal to the CC terminal. The indoor blower will not be energized in the cooling mode until the CC terminal has 24 VAC at the terminal.

AQ – The aquastat switch is placed on the hot water line exiting side of the air handler coil. The aquastat is connected to the R terminal and the AQ terminal on the control board. The AQ jumper pin shown in Figure 14 must be in the ON position to use this feature. When there is a call for heat (24 VAC on the W terminal) and the water line temperature reaches the aquastat switch setting, the switch will close sending 24 VAC to the AQ terminal turning on the blower motor. The blower motor will not energize until the aquastat switch is closed. When the call for heat has been satisfied, the indoor blower will be de-energized after the selected OFF delay.

VALVE – There are two terminals used to power a 24 VAC zone valve or solenoid valve. The terminal closest to the 24V COM terminals is a 24VAC common terminal to the valve. See Figure 14. The other terminal is the 24 VAC output to the valve. When there are 24 VAC to the W terminal the control board will send 24 VAC to the valve terminals. The VALVE terminals de-energize when the 24 VAC is removed from the W terminal.

BOILER - There are two terminals that are connected to a switch. The terminals do not output any voltage and are dry contacts. The BOILER switch is designed to be connected to the “T” terminals on a boiler aquastat to energize the boiler when the control board has a call for heat (24 VAC on W).

G – When 24 VAC is placed on the G terminal the control will energize the indoor blower by the FAN CIR terminal with NO delay. When the 24 VAC signal has been removed from the G terminal, the indoor blower will be de-energized with NO delay. If there is a call for heat (24 VAC on the W terminal) while 24 VAC is present on the G terminal, the control will energize the pump, valve and boiler and the indoor fan motor will be de-energized. The indoor fan motor will be energized by the LOW terminal after the selected ON delay. When the call for heat has been satisfied, the control will de-energize the valve, pump and boiler and the indoor fan motor will switch to the FAN CIR speed terminal after the selected OFF delay. If there is a call for cooling while there is 24 VAC on the G terminal, the control will switch the indoor blower speed to the HI terminal. When the call for cooling has been satisfied, the control will switch the indoor blower back to the FAN CIR speed.

W - When 24 VAC is present on the W terminal, the control will energize the pump, valve and boiler and the indoor fan will be energized by the LOW terminal after the selected ON delay. When the call for heat has been satisfied, the control will de-energize the valve, pump and boiler and the indoor fan motor will be de-energized after the selected OFF delay.

FR – The FR terminal energizes the control board freeze protection. The freeze protection switch is secured to the water coil. The two white wires are connected to the R terminal and to the FR terminal on the control board. When the temperature of the coil is below 38°F, the freeze protection switch closes and sends 24 VAC to the FR terminal. The control will energize the pump, valve, boiler, and indoor fan motor on the LOW speed terminal. When the water temperature has risen above 42°F, the freeze protection switch will open. The control will de-energize the pump, valve, boiler, and the LOW speed terminal providing there is not a call for heat. If there is a call for heat at the time FR is de-energized, the pump, valve, and boiler will remain ON and the control will keep the LOW speed terminal energized.

W2/RH - When W2/RH is energized, the control will de-energize the LOW speed terminal and energize the MED speed terminal with no delay. When the W2 Terminal is de-energized, the MED speed terminal will be de-energized and the LOW speed terminal will be energized with no delay.

BY – Bypass terminal is used when the heating and domestic hot water system are managed with the same tankless hot water system. The domestic water line has a normally open flow switch that is connected to the R and the BY terminals on the control board. When the domestic water flow switch detects the flow of water, the switch closes sending 24 VAC to the BY terminal. The control will de-energize the PUMP, VALVE, BOILER terminals and the indoor blower. When the domestic water flow has stopped the domestic water flow switch will open and the PUMP, VALVE, and BOILER terminals will resume normal operation. The indoor blower will be energized after the selected ON delay.

Y – When there is a call for cooling (24 VAC is placed on the Y terminal), the control will energize the indoor blower with the HI terminal after the selected ON delay. When the call or cooling has been satisfied, the indoor blower will be de-energized after the selected OFF delay.

DHM – Dehumidification mode can be used with any thermostat that has dehumidification terminal. The dehumidification terminal must send 24 VAC to the DHM terminal on the control board to put the control in dehumidification mode. When 24 VAC is present on the Y terminal (call for cooling) and there is 24 VAC is present on the DHM terminal, the control will energize the indoor blower with the MED terminal after the selected ON delay as long as there is a motor speed tap connected to the MED terminal. If the control has the indoor blower operating on the HI terminal when 24 VAC is placed on the DHM terminal, the control will de-energize the HI terminal and energize the MED terminal with NO delays. If the control has the indoor blower motor operating on the MED speed terminal when 24 VAC is removed from the DHM terminal, the control will energize the HI terminal and de-energize the MED terminal with NO delay.

IMPORTANT NOTE: A motor speed tap wire must be connected to the MED terminal for the dehumidification mode to work. Otherwise, the indoor blower will be de-energized upon call for dehumidification while the compressor is operating, resulting in the indoor coil freezing up.

Continuous Blower – Electric Heat Models

Moving the thermostat FAN switch to the “ON” position (continuous fan mode) completes the circuit between “R” and “G” terminals and sends 24 VAC to the GREEN air handler pigtail which is connected to the selected indoor blower motor speed tap for the cooling and continuous fan modes. The indoor blower will operate continuously until the thermostat FAN switch is moved to the “AUTO” position.

Continuous Blower – Hydronic Heat Models

Moving the thermostat FAN switch to the “ON” position (continuous fan mode) completes the circuit between “R” and “G” terminals and sends 24 VAC to the “G” terminal on the hydronic control board. Once the selected control board blower “on-delay” is complete, the control board will send 24 VAC to the “FAN CIR” terminal on the control board and energize the motor’s continuous fan speed (motor speed tap 1). The indoor blower will operate continuously until the thermostat FAN switch is moved to the AUTO position.

Intermittent Blower/Cooling Cycle For Electric Heat Models

When the thermostat FAN switch is in the AUTO position and the thermostat calls for cooling, the circuit between the “R”, “Y” and “G” terminals is completed and sends 24 VAC to the YELLOW air handler pigtail wire which is connected to the selected indoor blower motor speed tap for the cooling mode. If no refrigerant leak is detected by the air handler’s refrigerant leak sensor, 24 VAC is also sent to the outdoor unit compressor contactor coil which energizes the compressor and outdoor fan motor. When the thermostat is satisfied, the circuit between “R”, “Y” and “G” opens which will de-energize the blower motor, compressor, and the outdoor fan motor. The system is now in the standby mode awaiting the next cooling cycle.

Intermittent Blower/Cooling Cycle For Hydronic Heat Models

When the thermostat FAN switch is in the AUTO position and the thermostat calls for cooling, the circuit between the “R”, “Y” and “G” terminals is completed and sends 24 VAC to the G and Y terminals on the hydronic control board. The hydronic control board sends 24 VAC to the “Y” thermostat wire to the outdoor unit which closes the compressor contactor and energizes the compressor and outdoor fan motor. The hydronic control board also energizes the indoor blower with the HI terminal after the selected ON delay. When the thermostat is satisfied, the circuit between “R”, “Y” and “G” opens, the compressor contactor opens and the indoor blower is de-energized after the selected OFF delay. The system is now in the standby mode awaiting the next cooling cycle.

Intermittent Blower/Cooling Cycle For Electric Heat Models With Constant Torque Motors

When the thermostat FAN switch is in the AUTO position and the thermostat calls for cooling, the circuit between the “R”, “Y” and “G” terminals is completed and sends 24 VAC to the YELLOW air handler pigtail wire which is connected to the selected indoor blower motor speed tap for the cooling mode. If no refrigerant leak is detected by the air handler’s refrigerant leak sensor, 24 VAC is also sent to the outdoor unit compressor contactor coil which energizes the compressor and outdoor fan motor. When the thermostat is satisfied, the circuit between “R”, “Y” and “G” opens which will de-energize the blower motor, compressor, and the outdoor fan motor. The system is now in the standby mode awaiting the next cooling cycle.

Intermittent Blower/Heating Cycle For Electric Heat Models

When the thermostat FAN switch is in the AUTO position and the thermostat calls for heat, the thermostat circuit between the "R" and "W" terminals is completed. This sends 24 VAC from the "W" terminal to the WHITE air handler pigtail wire to the heater contactor coil. This signal closes the heater contactor contacts which sends 208-240 VAC to the heating elements. The 24 VAC signal from the thermostat "W" terminal also energizes selected indoor blower heating speed (WHITE wire) at the same time the heater contactor coil is energized. When the call for heat has been satisfied, the 24 VAC signal will be removed from the thermostat "W" terminal which de-energizes the heating elements and indoor blower motor. The air handler is now in the standby mode awaiting the next heating cycle.

Intermittent Blower/Heating Cycle For Hydronic Heat Models

When the thermostat FAN switch is in the AUTO position and the thermostat calls for heat, the thermostat circuit between the "R" and "W" terminals is completed. 24 VAC is sent from the "W" terminal on the thermostat to the hydronic control board. The hydronic control board will energize the water pump and start circulation of hot water through the water coil. The hydronic control board will also energize the indoor blower with the LOW terminal after the selected ON delay. When the call for heat has been satisfied, the "W" terminal is de-energized and the hydronic control board will de-energize the water pump and will also de-energize the indoor blower after the selected OFF delay. The air handler is now in standby mode waiting for the next heating cycle.

SECTION 5: TROUBLESHOOTING

The following checks should be made before further troubleshooting of the air handler controls when the blower does not operate or there is a no-heat or no-cooling issue. The electric heat models use relays to control the blower motor and a contactor to control the electric heat. The hydronic heat models use a hydronic control board to control the operation of all the components.

WARNING

To avoid personal injury, take precautions to not come into contact with non-insulated electrical components.

Avoid wearing loose clothing or any items that can come in contact with moving parts, such as the blower wheel. This can cause serious personal injury .

WARNING

For personal safety be sure to turn the electrical power "OFF" at the main electrical panel (circuit breaker box) and at the service disconnect switch before attempting any service or maintenance operations. The homeowners or user should never attempt to perform any maintenance which requires opening the air handler control box cover.

WARNING

To avoid personal injury or property damage, make certain that the motor leads cannot come into contact with non-insulated metal components of the unit.

Initial Troubleshooting Checks

1. Check all circuit breakers in the main electrical panel (circuit breaker box). Make sure they are turned to the "ON" position and have not tripped.
2. Check to make sure the service disconnect switch is in the "ON" position. The service disconnect switch is often mistaken for a light switch and is turned off.
3. Check any supply line fuses that were installed during installation are not blown. Check the wiring with an ohmmeter for a short to ground. If shorted, repair the short and replace the fuse(s).
4. Check to make sure there is 24 VAC between the RED (R) air handler thermostat pigtail and ground. If 24 VAC is not present, check the low voltage in-line fuse in the air handler control box or on the hydronic control board to see if it is blown. If the fuse is not blown and there is 208-240 VAC between the transformer primary wires, replace the transformer.
5. Check to make sure there is 24 VAC between the R and C terminals of the thermostat. If 24 VAC is not present, check the low voltage wiring and connections between the air handler and the thermostat.
6. Check to make sure there is 24 VAC between the G and C terminals of the thermostat when there is a call for cooling or continuous fan and between W and C when there is a call for heat. If 24 VAC is present between the R and C terminals, but 24 VAC is not present between the C and G terminals (cooling and continuous fan) or between W and C terminals (heating), replace the thermostat.
7. Check to make sure there is 24 VAC between the GREEN (G) air handler thermostat pigtail and ground when there is a call for cooling or continuous fan and between the WHITE (W) pigtail when there is a call for heat. If 24 VAC is present in either of these cases and the thermostat and transformer were found to be OK in steps 4 and 6 above, check the low voltage wiring and wiring connections between the thermostat and air handler.
8. Check all wiring connections to the air handler components to ensure they are securely connected.

TROUBLESHOOTING ELECTRIC HEAT MODELS

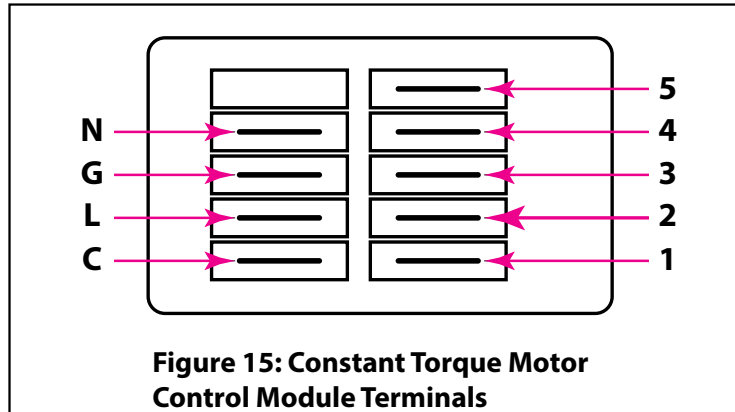
NOTE: Be sure to perform the Initial Troubleshooting Checks before performing the following checks.

Heating Mode Constant Torque Motor Check Electric Heat Models

If 24 VAC is not present between the air handler WHITE thermostat pigtail and ground when the thermostat is calling for heat, check the wiring and wiring connections from the thermostat "W" terminal to the air handler WHITE thermostat pigtail. If 24 VAC is present at the WHITE thermostat pigtail, check all of the wiring and wiring connections from the WHITE thermostat pigtail to the blower motor terminal block. If 24 VAC is present between the BLUE (common) and WHITE (heating speed) wires connected to the motor terminal block (See Figure 15 and Table 1) and there is 208-240 VAC between the RED and BLACK wires connected to the N and L motor terminals, replace the motor.

Cooling/Continuous Fan Mode Constant Torque Motor Check - Electric Heat Models

If 24 VAC is present between the GREEN air handler thermostat pigtail and ground, but the blower motor is not running when there is a call for cooling or continuous fan, check all of the wiring and wiring connections between the GREEN air handler thermostat pigtail and the motor terminal block and between the heater contactor L1 and L2 terminals and the motor terminal block. If 24 VAC is present between the BLUE (common) and BLACK (cooling/continuous fan speed) wires connected to the motor terminal block and there is 208-240 VAC between the RED and BLACK wires connected to the N and L motor terminals, replace the motor.



TERMINAL	CONNECTION
C	Speed Tap Common - 24 VAC Common
L	Supply Voltage - 208/240 VAC - Line 1
G	Ground Connection
N	Supply Voltage - 208/240 VAC - Line 2
1	Low Speed Tap - 24 VAC Input
2	Medium - Low Speed Tap - 24 VAC Input
3	Medium Speed Tap - 24 VAC Input
4	Medium - High Speed Tap - 24 VAC Input
5	High Speed Tap - 24 VAC Input

Table 1: Constant Torque Motor Terminals – Electric Heat and No Heat Models

Electric Heat Models – No Heat or Reduced Heat

Check for 24 VAC between the WHITE (W) air handler low voltage pigtail and ground when the thermostat is set to the HEAT mode and the temperature is set above the room temperature. If 24 VAC is present on the WHITE air handler pigtail, check for 208- 240 VAC between the heater elements power terminals on each heating element. If 208-240 VAC is not present at the heating element terminals, check for 24 VAC across the heater contactor coil. If 24 VAC is present across the heater contactor coil and 208-240 VAC is present between contactor terminals L1 and L2, but 208-240 VAC is not present across heater contactor terminals T1 and T2, replace the contactor. If 24 VAC is not present across the heater contactor coil, use an ohmmeter to check for continuity across the terminals of the auto reset limit control on both heating elements. If the contacts on either auto reset limit control are open when the heating elements are cool, replace that limit control. If 208-240 VAC is present between heater contactor terminals T1 and T2, but 208-240 VAC is not present between the heater element terminals, use

an ohmmeter to check for continuity across the non-resettable limit control on both heating elements. If the contacts on either non-resettable limit control are open, replace that limit control. If 208-240 VAC is present across the heating element terminals, check the current draw for each heating element. If there is no current or the current is not close to what is shown below, the heating element is defective and must be replaced.

The correct electric heating element amperages are as follows:

- 3 kW Heater = 12.5 amps, 5 kW Heater = 20.8 amps
- 6 kW Heater = 25.0 amps, 8 kW Heater = 33.3 amps
- 10 kW Heater = 41.6 amps

NOTE:

The 3 kW model has two 1.5 kW heating elements.
 The 5 kW model has two 2.5 kW heating elements.
 The 6 kW model has two 3.0 kW heating elements.
 The 8 kW model has two 4.0 kW heating elements.
 The 10 kW model has two 5.0 kW heating elements.

TERMINAL	CONNECTION
C	Speed Tap Common - 24 VAC Common
L	Supply Voltage - 115 VAC
G	Ground Connection
N	Supply Voltage - Neutral
1	Low Speed Tap - 24 VAC Input
2	Medium - Low Speed Tap - 24 VAC Input
3	Medium Speed Tap - 24 VAC Input
4	Medium - High Speed Tap - 24 VAC Input
5	High Speed Tap - 24 VAC Input

Table 2: Constant Torque Motor Terminals – Hydronic Heat Models

TROUBLESHOOTING HYDRONIC HEAT MODELS

NOTE: Be sure to perform the Initial Troubleshooting Checks before performing the following checks.

Constant Torque Motor Checks - Hydronic Heat Models

If the motor is not running when there is a call for heat, cooling, or continuous fan, check for 115 VAC between the L and N motor terminals (See Figure 15 and Table 2) and check for 24 VAC between the “COM/24V” terminal and either the “HI” (cooling), “MED” (cooling/dehumidification), “LOW” (heating), or “FAN CIR” (continuous fan) terminal on the control board (See Figure 13). If 115 VAC is present between motor terminals L and N and 24 VAC is present between the “COM/24V” terminal and either the “HI”, “MED”, “LOW”, or “FAN CIR” terminal on the control board, but the motor is not operating, check the connections at the motor terminals and the motor connector plugs BMMP and BMFP. If these connections are secure and there is 24 VAC between the C motor terminal and any of the wires connected to terminals 1 – 5 on the motor, replace the motor. Refer to Figure 15 and Table 2 for terminal locations and definitions. If 115 VAC is present between motor terminals L and N, but 24 VAC is not present between the “COM/24V” terminal and either the “HI”, “MED”, “LOW”, or “FAN CIR” terminal on the control board when there is a call for heat, cooling, or continuous fan, replace the control board.

Hydronic Control Board Checks

If 115 VAC is not present on the L2 and N terminals on the control board, check the service disconnect switch to determine if the switch was turned to the "OFF" position. If the service disconnect switch is in the "ON" position, check the circuit breaker in the main electrical panel to see if the breaker had tripped or is in the "OFF" position. If the service disconnect switch and the breaker are in the "ON" position, check the wiring between the main electrical panel and the air handler.

If 24 VAC is present between the Rin and COM/24V terminals on the control board, but 24 VAC is not present between the R and COM/24V terminals (See Figures 15 and 16), check the fuse on the control board to see if it is blown. If 24 VAC is present between the "W" and "24V COM" terminals on the control board when there is a call for heat, check the AQ jumper to make sure it is in the "OFF" position unless it is in the "ON" position with an aquastat installed. If so equipped, check to see if the aquastat is closed when the water line is cold. If the aquastat is open when the water line is cold, replace it. If 24 VAC is present between the "W" and "24V COM" terminals on the control board when there is a call for heat and 115 VAC is not present between the L2/N and PUMP terminals on the control board, replace the control board. If there is a call for heat and 24 VAC is present between the "W" and "24V COM" terminals on the control board and there is 24 VAC on the "R" terminals to common, but the PUMP, VALVE, BOILER and blower motor are not energized, replace the control board. If the blower motor is not operating after the selected ON delay, check for 24 VAC across the LOW and COM terminal. If 24 VAC is not present, replace the control board. If 24 VAC is present at the LOW terminal, check the wiring and connections from the control board to the blower motor and correct any wiring issues found. If no wiring or connection issues are found, replace the blower motor.

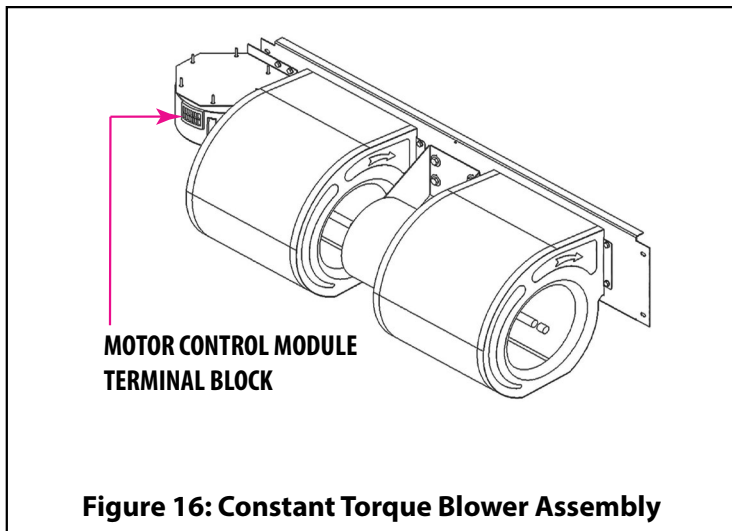


Figure 16: Constant Torque Blower Assembly

REPLACING THE BLOWER ASSEMBLY

1. Turn off all electrical supply circuits to the air handler at the main electrical panel (circuit breaker box) and turn the local air handler service disconnect to the OFF position.
2. Loosen the ceiling access panel thumbscrews and lower access panel.
3. Disconnect the wires connected to the motor controller terminal block.

NOTE: Write down the terminal block position for each wire before disconnecting the wires.

4. Remove the screws that secure the blower assembly to the air handler chassis located on each side and at the top center of the blower mounting plate.
5. Grasp the blower assembly and lift it up while pulling out on the bottom. Lower the blower assembly from the blower compartment and set it aside.
6. Lift the replacement blower assembly into place inside the blower compartment and push in at the bottom.
7. Install the screws that secure the blower mounting plate to the air handler chassis that were removed in Step 4.
8. Connect the wiring removed from the motor controller terminal block that were removed in Step 3.

NOTE: Refer to the air handler wiring diagram to confirm all wiring connections are correct.

9. Turn on all electrical supply circuits to the air handler at the main electrical panel (circuit breaker box) and turn the local air handler service disconnect to the ON position.
10. Set the thermostat to the desired operating mode and temperature set point.

TXV TROUBLESHOOTING

The thermostatic expansion valve (TXV) is like the carburetor in a car engine. It opens and closes to allow the correct amount of refrigerant flow through the system. When the TXV isn't working properly, the capacity and efficiency of the system is reduced. If a faulty TXV is suspected, perform the following tests:

1. Connect refrigerant gauges to the system and check that the thermostatic expansion valve (TXV) is like the carburetor in a car engine. It opens and closes to allow the correct amount of refrigerant flow through the system. When the TXV isn't working properly, the capacity and efficiency of the system is reduced. If a faulty TXV is suspected, perform the following tests:
2. Connect refrigerant gauges to the system and check that the refrigerant pressures, liquid subcooling and suction superheat levels are correct according to the outdoor unit charging chart. Subcooling at the outdoor unit liquid service valve is normally around 10°F and superheat at the outdoor unit suction service valve is normally between 8 -12°F, but these can vary depending on the manufacturer and model of the outdoor unit.
3. Check to see if the indoor airflow through the system is correct. Check to see if the indoor and outdoor coils and indoor air filters are dirty. Clean dirty coils and clean/replace dirty air-filters as necessary before measuring air-flow and checking pressures, superheat, and subcooling.
4. Make sure the refrigerant charge in the system is correct. This step may require weighing the refrigerant in the system. Once refrigerant charge weight has been adjusted as necessary, recheck the pressures, subcooling and superheat. If these values are still not correct, the TXV may be defective or the TXV inlet strainer or the liquid line filter drier is plugged with debris.
5. A good way to determine if the TXV is defective is to remove the TXV's sensing bulb from the suction line and check the pressures, subcooling, superheat again. No change in the pressures, subcooling, and superheat levels is an indication the TXV is defective. Another test that can be performed is to place the sensing bulb in ice water and recheck the pressures, superheat, and subcooling levels. If these values don't change, the TXV is likely defective.

Additional TXV Troubleshooting Information

Low Suction Pressure – High Superheat

POSSIBLE CAUSES:

1. Undersized TXV
2. TXV superheat adjustment too high
3. High indoor coil pressure drop due to internal restriction
4. TXV sensing bulb installed on bottom of suction line
5. Restricted or capped TXV external equalizer tube
 - a. Improper TXV external equalizer location (must be located on the suction manifold after the last feeder tube)
 - b. Low refrigerant charge
 - c. Plugged liquid line filter drier
 - d. Plugged TXV inlet strainer
10. Low outdoor ambient temperature

High Suction Pressure – Low Superheat

POSSIBLE CAUSES:

1. Oversized TXV
2. TXV seat leakage
3. TXV superheat adjustment too low
4. Improper TXV sensing bulb installation
 - a. Poor thermal contact with suction line (loose clamp)
 - b. Uninsulated sensing bulb
 - c. Warm location
5. Bad compressor (low capacity)
6. Incorrectly located external equalizer line (must be located on the suction manifold after the last feeder tube)

Low Suction Pressure – Low Superheat

POSSIBLE CAUSES:

1. Low system load:
 - a. Insufficient indoor airflow
 - b. Dirty indoor air filters
 - c. Return air too cold
 - d. Indoor coil icing or frosting
2. Poor air distribution over indoor coil
3. Improper indoor/outdoor coil internal volume balance (indoor coil too big or too small causing incorrect refrigerant charge balance between cooling and heating modes)
4. Oil trapped in indoor coil

Things to Check Before Replacing TXV

1. Slowly loosen the flare nut on the TXV external equalizer connected to the suction line port with a flare nut. If there is a large pressure release when the nut has been loosened, tighten the nut. If this results in a slight pressure release or no pressure release; the Schrader valve stem is not being depressed. Install an anti-blow back fitting to the external equalizer line of the TXV to depress the Schrader valve stem and check for proper operation of the TXV.
2. Remove the sensing bulb from the suction line and hold in a warm hand. The high side pressure should drop and low side pressure should increase as the TXV opens. Place the sensing bulb in ice water. The high side pressure should increase and the low side pressure should decrease as the TXV closes. If the pressures do not change when these tests are conducted, the TXV is faulty.

SECTION 6: BLOWER PERFORMANCE (WITHOUT FILTERS)

Minimum CFM for Electric Heat: 3kW = 195 CFM; 5kW = 325 CFM; 6kW = 390 CFM; 8kW = 520 CFM; 10kW = 650 CFM

CEHX/SEHX CCWE/SCWE	Blower Motor			No. of Blowers	Blower Wheel Si ze	DX Rows	CFM@ 0.10" W.C.	CFM@ 0.20" W.C.	CFM@ 0.25" W.C.	CFM@ 0.30" W.C.	CFM@ 0.40" W.C.	CFM@ 0.50" W.C.
	HP	Type	Volts									
19-**-**-1C80	1/3	C. T	208/240	2	7.00 x 8.00	5	921	876	859	842	788	742
25-**-**-1C81	1/2	C. T.	208/240	2	7.00 x 9.00	5	1110	1047	1005	993	925	873
35-**-**-1C81	1/2	C. T.	208/240	2	7.00 x 9.00	5	1369	1307	1262	1226	1157	1089
37-**-**-1C81	1/2	C. T.	208/240	2	7.00 x 9.00	5	1415	1364	1321	1287	1220	1155

Table 3: CEHX/SEHX/CCWE/SCWE Blower Performance – Constant Torque Motor – Speed Tap 5

CEHX/SEHX CCWE/SCWE	Blower Motor			No. of Blowers	Blower Wheel Si ze	DX Rows	CFM@ 0.10" W.C.	CFM@ 0.20" W.C.	CFM@ 0.25" W.C.	CFM@ 0.30" W.C.	CFM@ 0.40" W.C.	CFM@ 0.50" W.C.
	HP	Type	Volts									
19-**-**-1C80	1/3	C. T	208/240	2	7.00 x 8.00	5	821	777	754	842	689	640
25-**-**-1C81	1/2	C. T.	208/240	2	7.00 x 9.00	5	1010	932	896	877	821	758
35-**-**-1C81	1/2	C. T.	208/240	2	7.00 x 9.00	5	1262	1200	1162	1135	1077	1010
37-**-**-1C81	1/2	C. T.	208/240	2	7.00 x 9.00	5	1277	1215	1204	1166	1098	1045

Table 4: CEHX/SEHX/CCWE/SCWE Blower Performance – Constant Torque Motor – Speed Tap 4

CEHX/SEHX CCWE/SCWE	Blower Motor			No. of Blowers	Blower Wheel Si ze	DX Rows	CFM@ 0.10" W.C.	CFM@ 0.20" W.C.	CFM@ 0.25" W.C.	CFM@ 0.30" W.C.	CFM@ 0.40" W.C.	CFM@ 0.50" W.C.
	HP	Type	Volts									
19-**-**-1C80	1/3	C. T	208/240	2	7.00 x 8.00	5	761	722	697	676	626	578
25-**-**-1C81	1/2	C. T.	208/240	2	7.00 x 9.00	5	896	818	789	777	694	641
35-**-**-1C81	1/2	C. T.	208/240	2	7.00 x 9.00	5	1173	1095	1065	1035	965	889
37-**-**-1C81	1/2	C. T.	208/240	2	7.00 x 9.00	5	1177	1122	1093	1063	1001	934

Table 5: CEHX/SEHX/CCWE/SCWE Blower Performance – Constant Torque Motor – Speed Tap 3

CEHX/SEHX CCWE/SCWE	Blower Motor			No. of Blowers	Blower Wheel Si ze	DX Rows	CFM@ 0.10" W.C.	CFM@ 0.20" W.C.	CFM@ 0.25" W.C.	CFM@ 0.30" W.C.	CFM@ 0.40" W.C.	CFM@ 0.50" W.C.
	HP	Type	Volts									
19-**-**-1C80	1/3	C. T	208/240	2	7.00 x 8.00	5	640	583	557	530	478	465
25-**-**-1C81	1/2	C. T.	208/240	2	7.00 x 9.00	5	749	680	646	625	550	492
35-**-**-1C81	1/2	C. T.	208/240	2	7.00 x 9.00	5	1059	971	951	910	822	749
37-**-**-1C81	1/2	C. T.	208/240	2	7.00 x 9.00	5	1069	1001	961	920	855	777

CEHX/SEHX/CCWE/SCWE Blower Performance – Constant Torque Motor – Speed Tap 2

CEHX/SEHX CCWE/SCWE	Blower Motor			No. of Blowers	Blower Wheel Size	DX Rows	CFM@ 0.10" W.C.	CFM@ 0.20" W.C.	CFM@ 0.25" W.C.	CFM@ 0.30" W.C.	CFM@ 0.40" W.C.	CFM@ 0.50" W.C.
	HP	Type	Volts									
19-**-**-1C80	1/3	C.T.	208/240	2	7.00 x 8.00	5	562	502	478	453	402	352
25-**-**-1C81	1/2	C.T.	208/240	2	7.00 x 9.00	5	611	540	497	486	410	352
35-**-**-1C81	1/2	C.T.	208/240	2	7.00 x 9.00	5	978	896	852	814	732	677
37-**-**-1C81	1/2	C.T.	208/240	2	7.00 x 9.00	5	987	913	870	840	760	698

Table 7: CEHX/SEHX/CCWE/SCWE Blower Performance – Constant Torque Motor – Speed Tap 1

CDXW/SDXW CCWW/SCWW	Blower Motor			No. of Blowers	Blower Wheel Size	DX Rows	CFM@ 0.10" W.C.	CFM@ 0.20" W.C.	CFM@ 0.25" W.C.	CFM@ 0.30" W.C.	CFM@ 0.40" W.C.	CFM@ 0.50" W.C.
	HP	Type	Volts									
18-21-**-1A82	1/3	C.T.	120	2	7.00 x 8.00	3	917	881	861	840	792	746
19-21-**-1A82	1/3	C.T.	120	2	7.00 x 8.00	4	917	881	861	840	792	746
24-23-**-1A82	1/3	C.T.	120	2	7.00 x 8.00	3	917	881	861	840	792	746
25-33-**-1A83	1/2	C.T.	120	2	7.00 x 9.00	4	1075	1023	1000	973	919	862
30-27-**-1A83	1/2	C.T.	120	2	7.00 x 9.00	3	1072	1023	1000	973	919	862
31-28-**-1A83	1/2	C.T.	120	2	7.00 x 9.00	4	1072	1023	1000	973	919	862
34-30-**-1A83	1/2	C.T.	120	2	7.00 x 9.00	3	1294	1245	1214	1182	1117	1041
35-30-**-1A83	1/2	C.T.	120	2	7.00 x 9.00	4	1294	1245	1214	1182	1117	1041
36-35-**-1A83	1/2	C.T.	120	2	7.00 x 9.00	3	1362	1311	1287	1253	1202	1142
37-32-**-1A83	1/2	C.T.	120	2	7.00 x 9.00	4	1362	1311	1287	1253	1202	1142

Table 8: CDXW/SDXW/CCWW/SCWW Blower Performance – Constant Torque Motor – Speed Tap 5

CDXW/SDXW CCWW/SCWW	Blower Motor			No. of Blowers	Blower Wheel Size	DX Rows	CFM@ 0.10" W.C.	CFM@ 0.20" W.C.	CFM@ 0.25" W.C.	CFM@ 0.30" W.C.	CFM@ 0.40" W.C.	CFM@ 0.50" W.C.
	HP	Type	Volts									
18-21-**-1A82	1/3	C.T.	120	2	7.00 x 8.00	3	810	773	758	734	696	657
19-21-**-1A82	1/3	C.T.	120	2	7.00 x 8.00	4	810	773	758	734	696	657
24-23-**-1A82	1/3	C.T.	120	2	7.00 x 8.00	3	810	773	758	734	696	657
25-33-**-1A83	1/2	C.T.	120	2	7.00 x 9.00	4	976	922	900	869	813	756
30-27-**-1A83	1/2	C.T.	120	2	7.00 x 9.00	3	976	922	900	869	813	756
31-28-**-1A83	1/2	C.T.	120	2	7.00 x 9.00	4	976	922	900	869	813	756
34-30-**-1A83	1/2	C.T.	120	2	7.00 x 9.00	3	1239	1181	1154	1127	1070	1009
35-30-**-1A83	1/2	C.T.	120	2	7.00 x 9.00	4	1239	1181	1154	1127	1070	1009
36-35-**-1A83	1/2	C.T.	120	2	7.00 x 9.00	3	1301	1253	1223	1197	1150	1099
37-32-**-1A83	1/2	C.T.	120	2	7.00 x 9.00	4	1301	1253	1223	1197	1150	1099

Table 9: CDXW/SDXW/CCWW/SCWW Blower Performance – Constant Torque Motor – Speed Tap 4

CDXW/SDXW CCWW/SCWW	Blower Motor			No. of Blowers	Blower Wheel Size	DX Rows	CFM@ 0.10" W.C.	CFM@ 0.20" W.C.	CFM@ 0.25" W.C.	CFM@ 0.30" W.C.	CFM@ 0.40" W.C.	CFM@ 0.50" W.C.
	HP	Type	Volts									
18-21-**-1A82	1/3	C.T.	120	2	7.00 x 8.00	3	765	725	700	683	638	595
19-21-**-1A82	1/3	C.T.	120	2	7.00 x 8.00	4	765	725	700	683	638	595
24-23-**-1A82	1/3	C.T.	120	2	7.00 x 8.00	3	765	725	700	683	638	595
25-33-**-1A83	1/2	C.T.	120	2	7.00 x 9.00	4	888	829	800	769	704	647
30-27-**-1A83	1/2	C.T.	120	2	7.00 x 9.00	3	888	829	800	769	704	647
31-28-**-1A83	1/2	C.T.	120	2	7.00 x 9.00	4	888	829	800	769	704	647
34-30-**-1A83	1/2	C.T.	120	2	7.00 x 9.00	3	1144	1040	1062	1027	967	916
35-30-**-1A83	1/2	C.T.	120	2	7.00 x 9.00	4	1144	1040	1062	1027	967	916
36-35-**-1A83	1/2	C.T.	120	2	7.00 x 9.00	3	1178	1156	1133	1104	1052	997
37-32-**-1A83	1/2	C.T.	120	2	7.00 x 9.00	4	1178	1156	1133	1104	1052	997

Table 10: CDXW/SDXW/CCWW/SCWW Blower Performance Chart – Constant Torque Motor – Speed Tap 3

CDXW/SDXW CCWW/SCWW	Blower Motor			No. of Blowers	Blower Wheel Size	DX Rows	CFM@ 0.10" W.C.	CFM@ 0.20" W.C.	CFM@ 0.25" W.C.	CFM@ 0.30" W.C.	CFM@ 0.40" W.C.	CFM@ 0.50" W.C.
	HP	Type	Volts									
18-21-**-1A82	1/3	C.T.	120	2	7.00 x 8.00	3	616	585	562	540	492	446
19-21-**-1A82	1/3	C.T.	120	2	7.00 x 8.00	4	616	585	562	540	492	446
24-23-**-1A82	1/3	C.T.	120	2	7.00 x 8.00	3	616	585	562	540	492	446
25-33-**-1A83	1/2	C.T.	120	2	7.00 x 9.00	4	746	678	647	604	561	504
30-27-**-1A83	1/2	C.T.	120	2	7.00 x 9.00	3	746	678	647	604	561	504
31-28-**-1A83	1/2	C.T.	120	2	7.00 x 9.00	4	746	678	647	604	561	504
34-30-**-1A83	1/2	C.T.	120	2	7.00 x 9.00	3	1052	987	957	925	860	799
35-30-**-1A83	1/2	C.T.	120	2	7.00 x 9.00	4	1052	987	957	925	860	799
36-35-**-1A83	1/2	C.T.	120	2	7.00 x 9.00	3	1084	1022	1000	969	906	852
37-32-**-1A83	1/2	C.T.	120	2	7.00 x 9.00	4	1084	1022	1000	969	906	852

Table 11: CDXW/SDXW/CCWW/SCWW Blower Performance Chart – Constant Torque Motor – Speed Tap 2

CDXW/SDXW CCWW/SCWW	Blower Motor			No. of Blowers	Blower Wheel Size	DX Rows	CFM@ 0.10" W.C.	CFM@ 0.20" W.C.	CFM@ 0.25" W.C.	CFM@ 0.30" W.C.	CFM@ 0.40" W.C.	CFM@ 0.50" W.C.
	HP	Type	Volts									
18-21-**-1A82	1/3	C.T.	120	2	7.00 x 8.00	3	554	505	481	455	403	356
19-21-**-1A82	1/3	C.T.	120	2	7.00 x 8.00	4	554	505	481	455	403	356
24-23-**-1A82	1/3	C.T.	120	2	7.00 x 8.00	3	554	505	481	455	403	356
25-33-**-1A83	1/2	C.T.	120	2	7.00 x 9.00	4	613	536	500	466	398	337
30-27-**-1A83	1/2	C.T.	120	2	7.00 x 9.00	3	613	536	500	466	398	337
31-28-**-1A83	1/2	C.T.	120	2	7.00 x 9.00	4	613	536	500	466	398	337
34-30-**-1A83	1/2	C.T.	120	2	7.00 x 9.00	3	946	883	852	812	751	684
35-30-**-1A83	1/2	C.T.	120	2	7.00 x 9.00	4	946	883	852	812	751	684
36-35-**-1A83	1/2	C.T.	120	2	7.00 x 9.00	3	1004	943	911	881	819	754
37-32-**-1A83	1/2	C.T.	120	2	7.00 x 9.00	4	1004	943	911	881	819	754

Table 12: CCDXW/SDXW/CCWW/SCWW Blower Performance Chart – Constant Torque Motor – Speed Tap 1

SECTION 7: SPECIAL PIPING INSTRUCTIONS FOR A2L CLASS FLAMMABLE REFRIGERANTS



WARNING

FIRE HAZARD

This following precautions must be taken for the refrigerant piping due to this air-handler being used with an A2L class flammable refrigerant.

Piping material, pipe routing, and installation shall, including protection from physical damage in operation and service, be in compliance with national and local codes and standards, such as ASHRAE 15, IAPMO Uniform Mechanical Code, ICC International Mechanical Code, or CSA B52 shall be observed. All field joints shall be accessible for inspection prior to being covered or enclosed.

Mechanical refrigerant connections must be made in accordance with the following procedure and shall be accessible for maintenance purposes.

The installation of pipe-work shall be kept to a minimum. Due to this air-handler being used with an A2L class flammable refrigerant, the refrigerant pipe-work shall not be installed in an unventilated space, if that space is smaller than the minimum floor area shown in Tables 29 and 30 in the Installation Instructions Manual for this air handler unless there are no joints in the pipe-work in that space (e.g.: pipework that is run in walls or between floors).

Since refrigerant line length affects the final refrigerant charge, the final refrigerant charge after field charging of the system must be noted and used when determining the minimum floor area of the conditioned space from Tables 29 and 30 in the Installation Instructions Manual for this air handler.

Refrigerant Connections

For appliances using flammable refrigerants, all joints made in the installation between parts of the refrigerating system, with at least one part charged, shall be made in accordance with the following:

- A brazed, welded, or mechanical connection shall be made before opening the valves to permit refrigerant to flow between the refrigerating system parts. A vacuum valve shall be provided to evacuate the interconnecting pipe or any uncharged refrigerating system part.
- Mechanical connectors used indoors shall comply with ISO 14903 or UL 207 Annex A (USA only). When mechanical connectors are reused indoors, sealing parts shall be renewed. When flared joints are reused indoors, the flare part shall be refabricated.
- Refrigerant tubing shall be protected or enclosed to avoid damage.
- Flexible refrigerant connectors (such as connecting lines between the indoor and outdoor unit) that may be displaced during normal operation shall be protected against mechanical damage.
- For installations with field applied joints that are exposed in

the occupied space, these joints shall be at least one of the following:

- mechanical joints in compliance with ISO 14903 or UL 207 Annex A (USA only)
- welded or brazed joints; or
- joints in enclosures that vent to the unit or to the outside.

Provision shall be made for expansion and contraction of long runs of piping.

Protection devices, piping, and fittings shall be protected as far as possible against adverse environmental effects, for example, the danger of water collecting and freezing in relief pipes or the accumulation of dirt and debris.

Piping in refrigeration systems shall be so designed and installed to minimize the likelihood of hydraulic shock damaging the system. After completion of field piping for split systems, the field pipework shall be pressure tested with an inert gas and then vacuum tested prior to refrigerant charging, according to the following requirements:

- The minimum test pressure for the low side of the system shall be the low side design pressure and the minimum test pressure for the high side of the system shall be the high side design pressure, unless the high side of the system cannot be isolated from the low side of the system in which case the entire system shall be pressure tested to the low side design pressure.
- The test pressure after removal of pressure source shall be maintained for at least 1 hour with no decrease of pressure indicated by the test gauge, with test gauge resolution not During the evacuation test, after achieving a vacuum level specified in the manual or less, the refrigeration system shall be isolated from the vacuum pump and the pressure shall not rise above 1500 microns within 10 min. The vacuum pressure level shall be the lesser of 500 microns or the value required for compliance with national and local codes and standards, which may vary between residential, commercial, and industrial buildings.

Field made refrigerant joints indoors shall also be tightness tested after the system is charged with refrigerant. The test method shall have a sensitivity of 5 grams per year of refrigerant or better under a pressure of at least 0.25 times the maximum allowable pressure. No leak shall be detected.

SECTION 8: REFRIGERANT LEAK DETECTION SYSTEM OPERATION AND SENSOR REPLACEMENT

WARNING

This air handler is equipped with a refrigerant leak mitigation system that energizes the air handler blower motor to deliver at least the required minimum airflow (See Table 28 or 29) when the refrigerant leak detection system detects a leak. This will dilute the flammable A2L class refrigerant to a point that it no longer poses a risk of an explosion or fire. Follow the procedure “Verifying Proper Functioning of Refrigerant Leak Mitigation System” later in this section to confirm the refrigerant mitigation system is functioning as it should.

This air handler is equipped with a refrigerant leak detection system consisting of a leak mitigation refrigerant sensor with integral relays. Should a refrigerant leak occur in the indoor coil, the refrigerant leak detection system will energize the indoor blower on the cooling mode speed tap and will open the 24VAC circuit to the outdoor unit compressor contactor. The circulation of air will disperse the leaked flammable refrigerant into the conditioned space where it will be diluted to point where it can no longer be ignited by an ignition source. This process is referred to as “Leak Mitigation”. The indoor blower will continue to operate until 5 minutes after the concentration of the refrigerant at the sensor drops below the setpoint. Should the concentration of the refrigerant rise above the set-point of the sensor, the mitigation cycle will repeat until the refrigerant concentration stays below the set point of the sensor. The sensor pigtail marked “ALARM” will normally be energized with 24VAC when no leak is detected and will be de-energized when a leak is detected for the purpose of notifying a building management system to issue a refrigerant leak alarm.

Should the sensor fail or if the wiring to the sensor is damaged or disconnected, the sensor will automatically enter the mitigation mode until the sensor is replaced or the wiring is reconnected or repaired.

IMPORTANT NOTE: The outdoor unit control wiring must be connected to the refrigerant sensor “Y-CC” pigtail and the “COM” on the air handler low voltage terminal strip for the refrigerant detection system to de-energize the compressor during the leak mitigation mode of operation.

Verifying Proper Functioning of Refrigerant Leak Mitigation System

A test to confirm the proper functioning of the refrigerant leak mitigation system must be performed at the final system check-out. Follow the procedure below to perform that test.

1. Open the ceiling access panel of the air handler.
2. Locate the black refrigerant sensor located below the blower motor (See Figure 11).

Leak Detected During Cooling Cycle

3. Set the thermostat to “COOL” and the fan switch to “AUTO” and lower the temperature setpoint below the indoor temperature so the system enters the cooling mode.
4. Confirm the outdoor unit compressor is operating.
5. Within 30 seconds of the compressor starting, release a small amount of refrigerant on the refrigerant sensor to activate the leak mitigation mode.
6. Confirm the outdoor unit compressor and fan motor shut down and the indoor blower continues to operate.
7. Confirm the indoor blower is energized and 24V is not present at the air handler pigtail marked “ALARM”.
8. Confirm the outdoor unit compressor and fan motor are re-energized approximately 5 minutes after the flow of refrigerant near the sensor has ended and that the indoor blower continues to operate.

Leak Detected During the OFF Cycle

9. Set the thermostat to the “OFF” position and wait until the outdoor unit compressor and fan motor stop and indoor blower stops.
10. Release a small amount of refrigerant on the refrigerant sensor to activate the leak mitigation mode
11. Confirm the indoor blower is energized and 24V is not present at the air handler pigtail marked “ALARM”.

12. If the Refrigerant Leak Mitigation System does not operate as stated above, check for loose wiring connections or replace the refrigerant sensor.
13. Close the ceiling access panel and secure it with the thumb screws.
14. Set the thermostat to the desired operating mode and temperature.

If the leak detection system does not function properly when subjected to the above procedure, check for miswiring of the system. If the wiring connections are found to be correct per the air handler wiring diagram, replace the sensor with an approved replacement from the manufacturer.

Servicing the Leak Detection System/Sensor Replacement

When the refrigerant leak detection system sensor fails or reaches the end of its life, the leak detection system will enter and remain in the leak mitigation mode even though there is no refrigerant leak present. If the leak detection system continues to operate in the mitigation mode even when a refrigerant leak isn't indicated by a portable refrigerant leak detector, replace the sensor with an approved replacement from the air handler manufacturer using the following procedure.

Refrigerant Sensor Replacement Procedure

The replacement sensor part numbers are as follows:

R-32 Refrigerant: R68ALL001

R-454B Refrigerant: R68ALL002

R-32/R-454B Refrigerant (Dual Refrigerant): R68ALL003

The refrigerant sensor is located under the blower motor. See Figure 11 for the location of the sensor. Disconnect the wiring harness connector from the failed sensor and remove the sensor mounting screws. Discard the failed sensor. Mount the replacement sensor in the same location as the failed sensor that was removed and connect the sensor wiring harness connector to the sensor. Verify the proper function of the refrigerant leak mitigation system using the procedure on this page.

IMPORTANT: Mortex may source sensors from various manufacturers that have a different wiring harness connection. A wiring adapter may be necessary to allow the replacement sensor to connect the sensor wiring harness. The wiring adapter will be provided with the replacement sensor. Alternate mounting holes are provided to accommodate the various approved sensors. Only use a replacement sensor approved by and provided by Mortex to assure proper operating and compatibility.

IMPORTANT: The sensor wiring harness plug must be pointing down or horizontal. If the plug is pointing up, water could collect in the plug and result in operational issues.

SECTION 9: ACCESSORIES

Part Number	Description
HCPL-1	AIR HANDLER SIZES 18, 19, 24 - LOUVERED - 27.5" x 43" - TWO 16" x 16" x 1" AIR FILTERS
CPNL-1	AIR HANDLER SIZES 18, 19, 24 - NON-LOUVERED - 27.5" x 43"
HCPL-2	AIR HANDLER SIZES 25, 30, 31 - LOUVERED - 27.5 x 49" - TWO 16" x 20" x 1" AIR FILTERS
CPNL-2	AIR HANDLER SIZES 25, 30, 31 - NON-LOUVERED - 27.5" x 49"
HCPL-3	AIR HANDLER SIZES 34, 35 - LOUVERED - 27.5" x 55.5" - TWO 16" x 25" x 1" AIR FILTERS
CPNL-3	AIR HANDLER SIZES 34,35 - NON-LOUVERED - 27.5" x 55.5"
HCPL-4	AIR HANDLER SIZES 36, 37 - LOUVERED - 27.5" x 62.5" - TWO 16" x 25" x 1" AIR FILTERS
CPNL-4	AIR HANDLER SIZES 36, 37 - NON-LOUVERED - 27.5" x 62.5"

Table 13: Accessory List

SECTION 10: REPLACEMENT PARTS

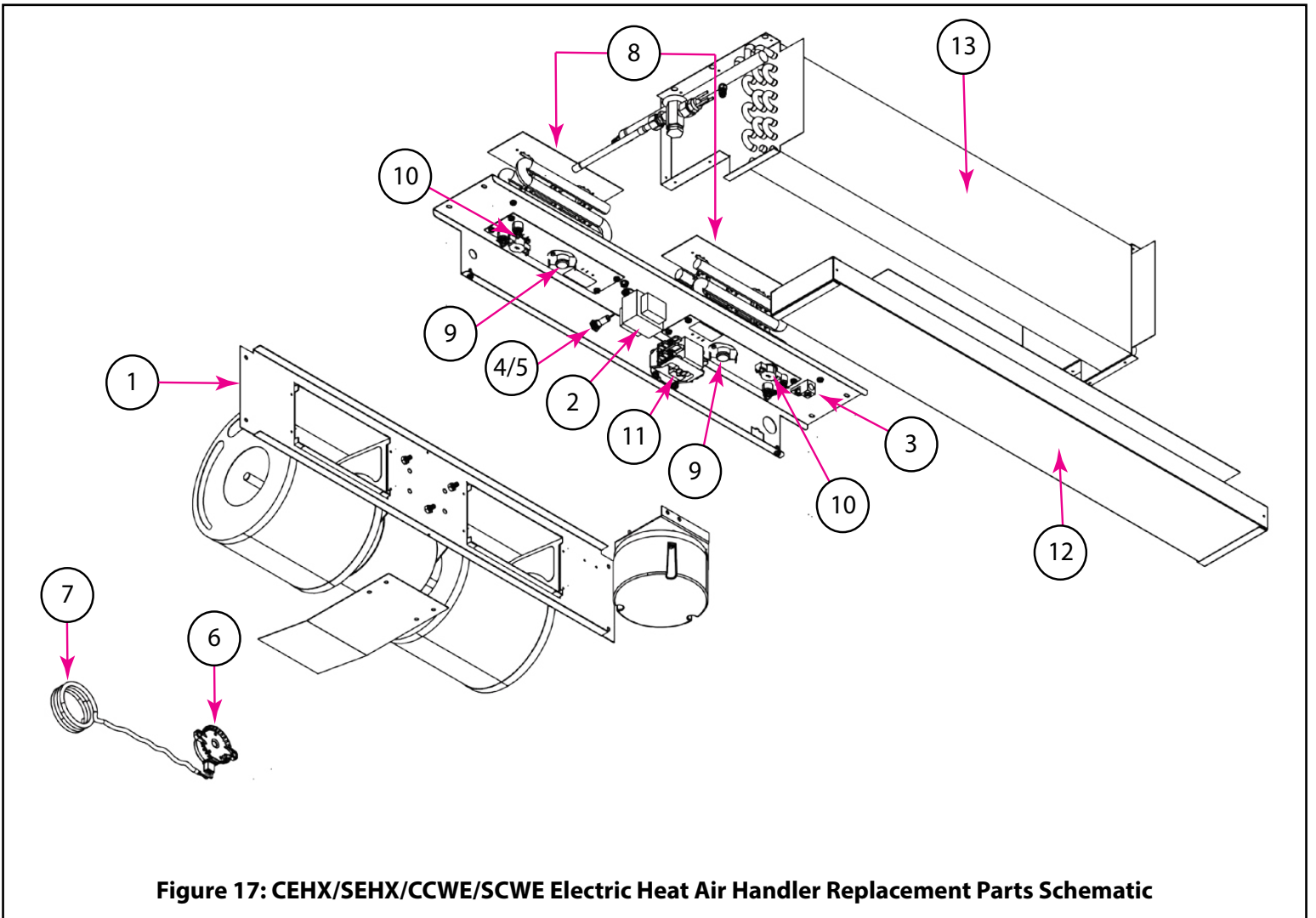


Figure 17: CEHX/SEHX/CCWE/SCWE Electric Heat Air Handler Replacement Parts Schematic

CEHX/SEHX/CCWE/SCWE 18-24 ELECTRIC HEAT MODELS			
Item #	Qty.	Part #	Description
1	1		Blower Assembly - Contact factory rep to obtain the correct blower assembly.
2	1	R68AA0003	208/240-24V Transformer
3	1	R68DC0001	Ground Lug
4	1	R73MH0001	3 Amp Fuse
6	1	R68ALL001	R-32 Refrigerant Leak Sensor
6	1	R68ALL002	R-454B Refrigerant Leak Sensor
6	1	R68ALL003	R-32/R-454B Refrigerant (Dual Refrigerant)
7	1	R73BB0053	Refrigerant Leak Sensor Wire Harness
3 KW Electric Heat			
8	1	R86CJ1076	3 kW Element (Kit - 2 EA. 1.5 kW Heater Elements with Limits)
9	2	R68CA0001	Auto-Reset Limit Switch (Opens at 140°F - Closes a
10	2	R68CA0012	Non-Resettable Limit Switch - Opens 180°F
11	1	R68AB0019	Double Pole Electric Heat Contactor - 50 Amp Resistive
5 KW Electric Heat			
8	1	R86CJ1077	5 kW Element (Kit - 2 EA. 2.5 kW Heater Elements with Limits)
9	2	R68CA0001	Auto-Reset Limit Switch (Opens at 140°F - Closes at 110°F)
10	2	R68CA0012	Non-Resettable Limit Switch - Opens 180°F
11	1	R68AB0019	Double Pole Electric Heat Contactor - 50 Amp Resistive
6 KW Electric Heat			
8	1	R86CJ1078	6 kW Element (Kit - 2 EA. 3.0 kW Heater Elements with Limits)
9	2	R68CA0001	Auto-Reset Limit Switch (Opens at 140°F - Closes at 110°F)
10	2	R68CA0012	Non-Resettable Limit Switch - Opens 180°F
11	1	R68AB0019	Double Pole Electric Heat Contactor - 50 Amp Resistive
8 KW Electric Heat			
8	1	R86CJ1079	8 kW Element (Kit - 2 EA. 4.0 kW Heater Elements with Limits)
9	2	R68CA0001	Auto-Reset Limit Switch (Opens at 140°F - Closes at 110°F)
10	2	R68CA0012	Non-Resettable Limit Switch - Opens 180°F
11	1	R68AB0019	Double Pole Electric Heat Contactor - 50 Amp Resistive
10 KW Electric Heat			
8	1	R86CJ1080	10 kW Element (Kit - 2 EA. 5.0 kW Heater Elements with Limits)
9	2	R68CA0001	Auto-Reset Limit Switch (Opens at 140°F - Closes at 110°F)
10	2	R68CA0012	Non-Resettable Limit Switch - Opens 180°F
11	1	R68AB0019	Double Pole Electric Heat Contactor - 50 Amp Resistive
DRAIN PAN			
12	1	R86CJ0040	Galvanized G90 Drain Pan With Coating for F.D. 30
DX COIL			
13	1	CF019SCF2EB	5-Row, 8.00" x 30.00", 3/8", Rifled, Lanced, 12 FPI
CHILLED WATER COILS			
13	CHILLED WATER COILS - There are too many chilled water coil models to list. Contact factory sales rep to obtain the correct coil.		

Table 14: CEHX/SEHX/CCWE/SCWE 18-24 Electric Heat Air Handler Replacement Parts List

CEHX/SEHX/CCWE/SCWE 25-30-31 ELECTRIC HEAT MODELS

Item #	Qty.	Part #	Description
1	1		Blower Assembly - Contact factory rep to obtain the correct blower assembly.
2	1	R68AA0003	208/240-24V Transformer
3	1	R68DC0001	Ground Lug
4	1	R73MH0001	3 Amp Fuse
5	1	R73MHA001	Fuse Holder
6	1	R68ALL001	R-32 Refrigerant Leak Sensor
6	1	R68ALL002	R-454B Refrigerant Leak Sensor
6	1	R68ALL003	R-32/R-454B Refrigerant (Dual Refrigerant)
7	1	R73BB0053	Refrigerant Leak Sensor Wire Harness
3 KW Electric Heat			
8	1	R86CJ1076	3 kW Element (Kit - 2 EA. 1.5 kW Heater Elements with Limits)
9	2	R68CA0001	Auto-Reset Limit Switch (Opens at 140°F - Closes at 110°F)
10	2	R68CA0012	Non-Resettable Limit Switch - Opens 180°F
11	1	R68AB0019	Double Pole Electric Heat Contactor - 50 Am p Resistive
5 KW Electric Heat			
8	1	R86CJ1077	5 kW Element (Kit - 2 EA. 2.5 kW Heater Elements with Limits)
9	2	R68CA0001	Auto-Reset Limit Switch (Opens at 140°F - Closes at 110°F)
10	2	R68CA0012	Non-Resettable Limit Switch - Opens 180°F
11	1	R68AB0019	Double Pole Electric Heat Contactor - 50 Amp Resistive
6 KW Electric Heat			
8	1	R86CJ1078	6 kW Element (Kit - 2 EA. 3.0 kW Heater Elements with Limits)
9	2	R68CA0001	Auto-Reset Limit Switch (Opens at 140°F - Closes at 110°F)
10	2	R68CA0012	Non-Resettable Limit Switch - Opens 180°F
11	1	R68AB0019	Double Pole Electric Heat Contactor - 50 Amp Resistive
8 KW Electric Heat			
8	1	R86CJ1079	8 kW Element (Kit - 2 EA. 4.0 kW Heater Elements with Limits)
9	2	R68CA0001	Auto-Reset Limit Switch (Opens at 140°F - Closes at 110°F)
10	2	R68CA0012	Non-Resettable Limit Switch - Opens 180°F
11	1	R68AB0019	Double Pole Electric Heat Contactor - 50 Amp Resistive
10 KW Electric Heat			
8	1	R86CJ1080	10 kW Element (Kit - 2 EA. 5.0 kW Heater Elements with Limits)
9	2	R68CA0001	Auto-Reset Limit Switch (Opens at 140°F - Closes at 110°F)
10	2	R68CA0012	Non-Resettable Limit Switch - Opens 180°F
11	1	R68AB0019	Double Pole Electric Heat Contactor - 50 Amp Resistive
DRAIN PAN			
12	1	R86CJ0041	Galvanized G90 Drain Pan With Coating for F.D. 38
DX COIL			
13	1	CF025SDF2EB	5-Row, 8.00" x 38.00", 3/8", Rifled, Lanced, 12 FPI
CHILLED WATER COILS			
13	CHILLED WATER COILS - There are too many chilled water coil models to list. Contact factory sales rep to obtain the correct coil.		

Table 15: CEHX/SEHX/CCWE/SCWE 25-30-31 Electric Heat Air Handler Replacement Parts List

CEHX/SEHX/CCWE/SCWE 34-35 ELECTRIC HEAT MODELS			
Item #	Qty.	Part #	Description
1	1		Blower Assembly - Contact factory rep to obtain the correct blower assembly.
2	1	R68AA0003	208/240-24V Transformer
3	1	R68DC0001	Ground Lug
4	1	R73MH0001	3 Amp Fuse
5	1	R73MHA001	Fuse Holder
6	1	R68ALL001	R-32 Refrigerant Leak Sensor
6	1	R68ALL002	R-454B Refrigerant Leak Sensor
6	1	R68ALL003	R-32/R-454B Refrigerant (Dual Refrigerant)
7	1	R73BB0053	Refrigerant Leak Sensor Wire Harness
3 KW Electric Heat			
8	1	R86CJ1076	3 kW Element (Kit - 2 EA. 1.5 kW Heater Elements with Limits)
9	2	R68CA0001	Auto-Reset Limit Switch (Opens at 140°F - Closes at 110°F)
10	2	R68CA0012	Non-Resettable Limit Switch - Opens 180°F
11	1	R68AB0019	Double Pole Electric Heat Contactor - 50 Amp Resistive
5 KW Electric Heat			
8	1	R86CJ1077	5 kW Element (Kit - 2 EA. 2.5 kW Heater Elements with Limits)
9	2	R68CA0001	Auto-Reset Limit Switch (Opens at 140°F - Closes at 110°F)
10	2	R68CA0012	Non-Resettable Limit Switch - Opens 180°F
11	1	R68AB0019	Double Pole Electric Heat Contactor - 50 Amp Resistive
6 KW Electric Heat			
8	1	R86CJ1078	6 kW Element (Kit - 2 EA. 3.0 kW Heater Elements with Limits)
9	2	R68CA0001	Auto-Reset Limit Switch (Opens at 140°F - Closes at 110°F)
10	2	R68CA0012	Non-Resettable Limit Switch - Opens 180°F
11	1	R68AB0019	Double Pole Electric Heat Contactor - 50 Amp Resistive
8 KW Electric Heat			
8	1	R86CJ1079	8 kW Element (Kit - 2 EA. 4.0 kW Heater Elements with Limits)
9	2	R68CA0001	Auto-Reset Limit Switch (Opens at 140°F - Closes at 110°F)
10	2	R68CA0012	Non-Resettable Limit Switch - Opens 180°F
11	1	R68AB0019	Double Pole Electric Heat Contactor - 50 Amp Resistive
10 KW Electric Heat			
8	1	R86CJ1080	10 kW Element (Kit - 2 EA. 5.0 kW Heater Elements with Limits)
9	2	R68CA0001	Auto-Reset Limit Switch (Opens at 140°F - Closes at 110°F)
10	2	R68CA0012	Non-Resettable Limit Switch - Opens 180°F
11	1	R68AB0019	Double Pole Electric Heat Contactor - 50 Amp Resistive
DRAIN PAN			
12	1	R86CJ0042	Galvanized G90 Drain Pan With Coating for F.D. 42
DX COIL			
13	1	CF035SGF2EB	5-Row, 8.00" x 42.00", 3/8", Rifled, Lanced, 12 FPI
CHILLED WATER COILS			
13	CHILLED WATER COILS - There are too many chilled water coil models to list. Contact factory sales rep to obtain the correct coil.		

Table 16: CEHX/SEHX/CCWE/SCWE 34-35 Electric Heat Air Handler Replacement Parts List

CEHX/SEHX/CCWE/SCWE 36-37 ELECTRIC HEAT MODELS			
Item #	Qty.	Part #	Description
1	1		Blower Assembly - Contact factory rep to obtain the correct blower assembly.
2	1	R68AA0003	208/240-24V Transformer
3	1	R68DC0001	Ground Lug
4	1	R73MH0001	3 Amp Fuse
5	1	R73MHA001	Fuse Holder
6	1	R68ALL001	R-32 Refrigerant Leak Sensor
6	1	R68ALL002	R-454B Refrigerant Leak Sensor
6	1	R68ALL003	R-32/R-454B Refrigerant (Dual Refrigerant)
7	1	R73BB0053	Refrigerant Leak Sensor Wire Harness
3 KW Electric Heat			
8	1	R86CJ1076	3 kW Element (Kit - 2 EA. 1.5 kW Heater Elements with Limits)
9	2	R68CA0001	Auto-Reset Limit Switch (Opens at 140°F - Closes at 110°F)
10	2	R68CA0012	Non-Resettable Limit Switch - Opens 180°F
11	1	R68AB0019	Double Pole Electric Heat Contactor - 50 Amp Resistive
5 KW Electric Heat			
8	1	R86CJ1077	5 kW Element (Kit - 2 EA. 2.5 kW Heater Elements with Limits)
9	2	R68CA0001	Auto-Reset Limit Switch (Opens at 140°F - Closes at 110°F)
10	2	R68CA0012	Non-Resettable Limit Switch - Opens 180°F
11	1	R68AB0019	Double Pole Electric Heat Contactor - 50 Amp Resistive
6 KW Electric Heat			
8	1	R86CJ1078	6 kW Element (Kit - 2 EA. 3.0 kW Heater Elements with Limits)
9	2	R68CA0001	Auto-Reset Limit Switch (Opens at 140°F - Closes at 110°F)
10	2	R68CA0012	Non-Resettable Limit Switch - Opens 180°F
11	1	R68AB0019	Double Pole Electric Heat Contactor - 50 Amp Resistive
8 KW Electric Heat			
8	1	R86CJ1079	8 kW Element (Kit - 2 EA. 4.0 kW Heater Elements with Limits)
9	2	R68CA0001	Auto-Reset Limit Switch (Opens at 140°F - Closes at 110°F)
10	2	R68CA0012	Non-Resettable Limit Switch - Opens 180°F
11	1	R68AB0019	Double Pole Electric Heat Contactor - 50 Amp Resistive
10 KW Electric Heat			
8	1	R86CJ1080	10 kW Element (Kit - 2 EA. 5.0 kW Heater Elements with Limits)
9	2	R68CA0001	Auto-Reset Limit Switch (Opens at 140°F - Closes at 110°F)
10	2	R68CA0012	Non-Resettable Limit Switch - Opens 180°F
11	1	R68AB0019	Double Pole Electric Heat Contactor - 50 Amp Resistive
DRAIN PAN			
12	1	R86CJ0043	Galvanized G90 Drain Pan With Coating for F.D. 49
DX COIL			
13	1	CF037SEF2EB	5-Row, 8.00" x 49.00", 3/8", Rifled, Lanced, 12 FPI
CHILLED WATER COILS			
13	CHILLED WATER COILS - There are too many chilled water coil models to list. Contact factory sales rep to obtain the correct coil.		

Table 17: CEHX/SEHX/CCWE/SCWE 36-37 Electric Heat Air Handler Replacement Parts List

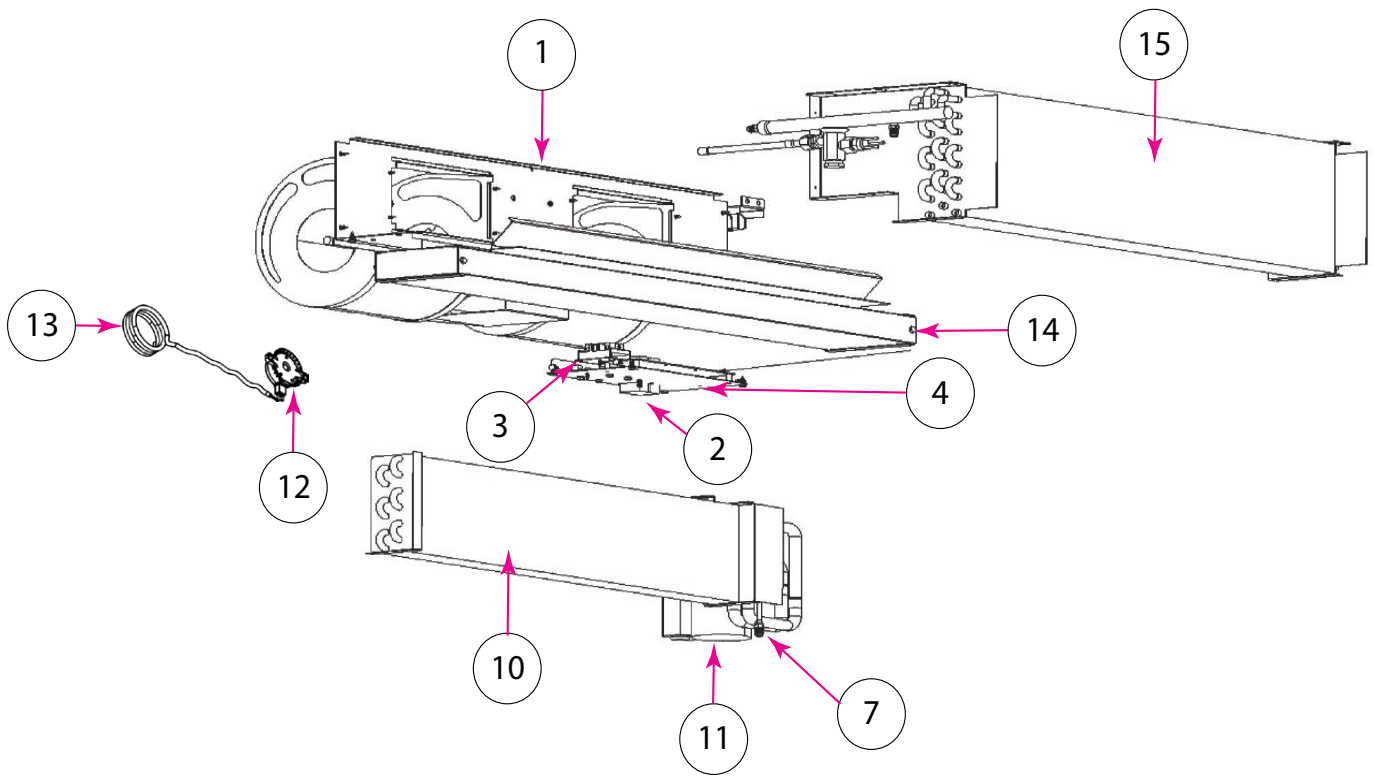


Figure 18: CDXW/SDXW/CCWW/SCWW Hydronic Heat Air Handler Replacement Parts Schematic

CDXW/SDXW/CCWW/SCWW 18-24 HYDRONIC HEAT MODELS			
Item #	Qty.	Part #	Description
1	1		Blower Assembly - Contact factory rep to obtain the correct blower assembly.
2	1	R68AA0002	115-24V Transformer
3	1	R68DC0001	Ground Lug
4	1	R68AE0011	Hydronic Control Board for Constant Torque Blower Motors
5	1	R68DD0005	White Wire Freeze Protector
6	1	R66AB0006	Sensor Clip HW/AH
7	1	R74BA0004	Valve - Air Bleed Body
8	1	R74BA0005	Valve - Air Bleed Core
9	1	R74BB0001	1/2" Boiler Drain
10	1	R86BC0001	2 Row Hot Water Coil 6 x 27
11	1	R78AA0007	4 GPM Taco Circulating Pump 120V - 1/2" Inlet and Outlet
12	1	R68ALL001	R-32 Refrigerant Leak Sensor
12	1	R68ALL002	R-454B Refrigerant Leak Sensor
12	1	R68ALL003	R-32/R-454B Refrigerant Leak Sensor (Dual Refrigerant)
13	1	R73BB0053	Refrigerant Leak Sensor Wire Harness
DRAIN PAN			
14	1	R86CJ0040	Galvanized G90 Drain Pan With Coating for F.D. 30
DX COIL			
15	1	CF019SCF2EB	5 ROW, 8.00" x 30.00", 3/8", Rifled, Lanced, 12 FPI
CHILLED WATER COILS			
15	CHILLED WATER COILS - There are too many chilled water coil models to list. Contact factory sales rep to obtain the correct coil.		

Table 18: CDXW/SDXW/CCWW/SCWW 18-24 Hydronic Heat Air Handler Replacement Parts List

CDXW/SDXW/CCWW/SCWW 25-30-31 HYDRONIC HEAT MODELS			
Item #	Qty.	Part #	Description
1	1		Blower Assembly - Contact factory rep to obtain the correct blower assembly.
2	1	R68AA0002	115-24V Transformer
3	1	R68DC0001	Ground Lug
4	1	R68AE0011	Hydronic Control Board for Constant Torque Blower Motors
5	1	R68DD0005	White Wire Freeze Protector
6	1	R66AB0006	Sensor Clip HW/AH
7	1	R74BA0004	Valve - Air Bleed Body
8	1	R74BA0005	Valve - Air Bleed Core
9	1	R74BB0001	1/2" Boiler Drain
10	1	R86BC0002	2 Row Hot Water Coil 6 x 35
11	1	R78AA0007	Standard 4 GPM Circulating Pump 120V - 1/2" Inlet and Outlet
11	1	R78AA0008	Optional 7 GPM Pump 120V - 3/4" Inlet and Outlet
11	1	R78AA0007	Standard 4 GPM Circulating Pump 120V - 1/2" Inlet and Outlet
11	1	R78AA0008	Optional 7 GPM Pump 120V - 3/4" Inlet and Outlet
12	1	R68ALL001	R-32 Refrigerant Leak Sensor
12	1	R68ALL002	R-454B Refrigerant Leak Sensor
12	1	R68ALL003	R-32/R-454B Refrigerant Leak Sensor (Dual Refrigerant)
13	1	R73BB0053	Refrigerant Leak Sensor Wire Harness
DRAIN PAN			
14	1	R86CJ0041	Galvanized G90 Drain Pan With Coating for F.D. 38
DX COIL			
15	1	CF025SDF2EB	5 ROW, 8.00" x 38.00", 3/8", Rifled, Lanced, 12 FPI
CHILLED WATER COILS			
15	CHILLED WATER COILS - There are too many chilled water coil models to list. Contact factory sales rep to obtain the correct coil.		

Table 19: CDXW/SDXW/CCWW/SCWW 25-30-31 Hydronic Heat Air Handler Replacement Parts List

CDXW/SDXW/CCWW/SCWW 34-35 HYDRONIC HEAT MODELS			
Item #	Qty.	Part #	Description
1	1		Blower Assembly - Contact factory rep to obtain the correct blower assembly.
2	1	R68AA0002	115-24V Transformer
3	1	R68DC0001	Ground Lug
4	1	R68AE0011	Hydronic Control Board for Constant Torque Blower Motors
5	1	R68DD0005	White Wire Freeze Protector
6	1	R66AB0006	Sensor Clip HW/AH
7	1	R74BA0004	Valve - Air Bleed Body
8	1	R74BA0005	Valve - Air Bleed Core
9	1	R74BB0001	1/2" Boiler Drain
10	1	R86BC0004	2 Row Hot Water Coil 6 x 39
11	1	R78AA0007	Standard 4 GPM Circulating Pump 120V - 1/2" Inlet and Outlet
11	1	R78AA0008	Optional 7 GPM Pump 120V - 3/4" Inlet and Outlet
11	1	R78AA0007	Standard 4 GPM Circulating Pump 120V - 1/2" Inlet and Outlet
11	1	R78AA0008	Optional 7 GPM Pump 120V - 3/4" Inlet and Outlet
12	1	R68ALL001	R-32 Refrigerant Leak Sensor
12	1	R68ALL002	R-454B Refrigerant Leak Sensor
12	1	R68ALL003	R-32/R-454B Refrigerant Leak Sensor (Dual Refrigerant)
13	1	R73BB0053	Refrigerant Leak Sensor Wire Harness
DRAIN PAN			
14	1	R86CJ0042	Galvanized G90 Drain Pan With Coating for F.D. 42
DX COIL			
15	1	CF035SGF2EB	5 ROW, 8.00" x 42.00", 3/8", Rifled, Lanced, 12 FPI
CHILLED WATER COILS			
15	CHILLED WATER COILS - There are too many chilled water coil models to list. Contact factory sales rep to obtain the correct coil.		

Table 20: CDXW/SDXW/CCWW/SCWW 34-35 Hydronic Heat Air Handler Replacement Parts List

CDXW/SDXW/CCWW/SCWW 36-37 HYDRONIC HEAT MODELS			
Item #	Qty.	Part #	Description
1	1		Blower Assembly - Contact factory rep to obtain the correct blower assembly.
2	1	R68AA0002	115-24V Transformer
3	1	R68DC0001	Ground Lug
4	1	R68AE0011	Hydronic Control Board for Constant Torque Blower Motors
5	1	R68DD0005	White Wire Freeze Protector
6	1	R66AB0006	Sensor Clip HW/AH
7	1	R74BA0004	Valve - Air Bleed Body
8	1	R74BA0005	Valve - Air Bleed Core
9	1	R74BB0001	1/2" Boiler Drain
10	1	R86BC0004	2 Row Hot Water Coil 6 x 46
11	1	R78AA0007	Standard 4 GPM Circulating Pump 120V - 1/2" Inlet and Outlet
11	1	R78AA0008	Optional 7 GPM Pump 120V - 3/4" Inlet and Outlet
11	1	R78AA0007	Standard 4 GPM Circulating Pump 120V - 1/2" Inlet and Outlet
11	1	R78AA0008	Optional 7 GPM Pump 120V - 3/4" Inlet and Outlet
12	1	R68ALL001	R-32 Refrigerant Leak Sensor
12	1	R68ALL002	R-454B Refrigerant Leak Sensor
12	1	R68ALL003	R-32/R-454B Refrigerant Leak Sensor (Dual Refrigerant)
13	1	R73BB0053	Refrigerant Leak Sensor Wire Harness
DRAIN PAN			
14	1	R86CJ0043	Galvanized G90 Drain Pan With Coating for F.D. 42
DX COIL			
15	1	CF037SEF2EB	5 ROW, 8.00" x 49.00", 3/8", Rifled, Lanced, 12 FPI
CHILLED WATER COILS			
15	CHILLED WATER COILS - There are too many chilled water coil models to list. Contact factory sales rep to obtain the correct coil.		

Table 21: CDXW/SDXW/CCWW/SCWW 36-37 Hydronic Heat Air Handler Replacement Parts List

When the air handler is at the end of its life and is being removed for replacement, proper procedures must be followed to assure the safety of the technician and building occupants due to the flammable refrigerant contained in the refrigeration system. Before performing this procedure, it is essential that the technician is completely familiar with the equipment and all its detail. It is recommended good practice that all refrigerants are recovered safely. Prior to the task being performed, an oil and refrigerant sample shall be taken in case analysis is required prior to re-use of recovered refrigerant. It is essential that electrical power is available before the task is commenced.

Decommissioning Procedure

- a) Become familiar with the equipment and its operation.
- b) Before attempting the procedure, ensure that:
 - mechanical handling equipment is available, if required, for handling refrigerant cylinders;
 - all personal protective equipment is available and being used correctly;
 - the recovery process is supervised at all times by a competent person;
 - recovery equipment and cylinders conform to the appropriate standards.
- c) Pump down the refrigerant into the outdoor unit, if possible, by closing the outdoor unit liquid service valve and energizing the compressor until the suction pressure is near atmospheric pressure. If pumping the system down is not possible due to an inoperable compressor, the refrigerant must be recovered.
- d) If a vacuum is not possible, make a manifold so that refrigerant can be removed from various parts of the system.
- e) Make sure that the recovery cylinder is situated on the scales before recovery takes place.
- f) Start the recovery machine and operate in accordance with instructions. (Also, refer to Refrigerant Recovery Requirements in the next column.)
- g) Do not overfill cylinders (no more than 80 % volume liquid charge).
- h) Do not exceed the maximum working pressure of the cylinder, even temporarily.
- i) When the cylinders have been filled correctly and the process completed, make sure that the cylinders and the equipment are removed from site promptly and all isolation valves on the equipment are closed off.
- j) Recovered refrigerant shall not be charged into another refrigerating system unless it has been cleaned and checked.
- k) Once all of the refrigerant has been pumped into the outdoor unit or has been recovered, disconnect the refrigerant lines from the air handler. Continuously flush or purge with inert gas when using a flame to open the circuit at the field refrigerant line connections.

- l) Turn the circuit breaker(s) serving the air handler in the main electrical panel to the OFF position. If a disconnect switch has been installed near the air handler, switch it to the OFF position.
- m) Disconnect all electrical wiring from the air handler.
- n) Once the refrigerant lines and electrical wiring have been disconnected from the air handler, remove the air handler from the property and dispose of it. Taking the air handler to recycling center is encouraged.
- o) Equipment shall be labelled stating that it has been decommissioned and emptied of refrigerant. The label shall be dated and signed. For appliances containing flammable refrigerants, ensure that there are labels on the equipment stating the equipment contains flammable refrigerant.

Refrigerant Recovery Requirements

When removing refrigerant from a system, either for servicing or decommissioning, it is recommended good practice that all refrigerants are removed safely.

When transferring refrigerant into cylinders, ensure that only appropriate refrigerant recovery cylinders are employed. Ensure that the correct number of cylinders for holding the total system charge is available. All cylinders to be used are designated for the recovered refrigerant and labelled for that refrigerant (i.e. special cylinders for the recovery of refrigerant). Cylinders shall be complete with pressure-relief valve and associated shut-off valves in good working order. Empty recovery cylinders are evacuated and, if possible, cooled before recovery occurs

The recovery equipment shall be in good working order with a set of instructions concerning the equipment that is at hand and shall be suitable for the recovery of the flammable refrigerant. If in doubt, the manufacturer should be consulted. In addition, a set of calibrated weighing scales shall be available and in good working order. Hoses shall be complete with leak-free disconnect couplings and in good condition.

The recovered refrigerant shall be processed according to local legislation in the correct recovery cylinder, and the relevant waste transfer note arranged. Do not mix refrigerants in recovery units and especially not in cylinders.

If compressors or compressor oils are to be removed, ensure that they have been evacuated to an acceptable level to make certain that flammable refrigerant does not remain within the lubricant. The compressor body shall not be heated by an open flame or other ignition sources to accelerate this process. When oil is drained from a system, it shall be performed safely.