

### TECHNICAL GUIDE

FOR USE WITH SPLIT SYSTEM COOLING ONLY AND HEAT PUMPS WITH BACK UP ELECTRIC HEAT.

MODELS:

**AHW1-** Direct Expansion Cooling/ Back Up Electric Heating

**AHW2-** Direct Expansion Cooling/ Hot Water Heating  
SEE PAGE 2 FOR MODEL NOMENCLATURE



### Description:

These air handlers are designed for vertical mounting in a wall or closet application, and will handle up to 1200 CFM and up to 3 tons of cooling with a DX cooling or heat pump coil. For DX cooling requirements these air handlers can be matched with most manufacturer's condensing units and heat pumps. The front of the case is open to accommodate a louvered/filtered access panel.

### Standard Features:

- Compact for easy replacement of existing units. Space saving design for new construction.
- Constant torque ECM motor.
- 208/230/1/60 or 115/1/60
- 1" Foil faced insulation.
- Meets ASHRAE standard 193 low leak requirements.
- Galvanized steel blower wheels.
- Prewired for cooling and heating.
- Control transformer.
- Primary and secondary condensate drain pans.
- Easy access for service and maintenance.
- High efficiency copper tubes with aluminum fin coils.

### Field Installed Options:

- Louvered access door panels.

### Factory Installed Options:

- R410a Thermostatic expansion valve. Expansion valves are suitable for heat pump application.
- 3KW-10KW Backup Electric heat strips
- Hot Water heating coil
- Fully painted cabinet.



Mortex Products Inc.  
501 Terminal Road  
Fort Worth, TX 76106  
800-444-6354  
www.mortx.com

### AHW Vertical Wall Mounted Air Handler

DX Cooling / Electric Heat / Hot Water  
Air Handler

**AHW** **1** - **24** - **1** **C** **LG** - **03** **D**

**Unit Type**

AHW - Vertical Wall Mount

**Series**

1 - DX Coil with Electric Heat  
2 - DX Coil with Hot Water Heat

**Nominal Cooling BTUs**

Example: 24 - 24,000 btu

**Slant Coil Configuration (Rows, FPI, Riffled/Smooth, Fin Type, Etc.)**

Confidential

**Unit Voltage**

A - 115V (Hot Water Heat)  
C - 208/240V (Electric Heat)

**Blower Motor & Blower Package**

LG - 1/3 HP, 208/240V, SelecTech, with 10x7T blower assembly  
LM - 1/3 HP, 208/240V, SelecTech, with 10x8T blower assembly  
LI - 1/2 HP, 208/240V, SelecTech, with 10x8T blower assembly  
LK - 1/2 HP, 115V, SelecTech, with 10x8T blower assembly  
LL - 1/2 HP, 115V, SelecTech, with 12x8T blower assembly

**Heating Capacity**

00 - Electric Heating Capacity (KW)  
2P - 2 Row Hot Water Coil  
3P - 3 Row Hot Water Coil  
4P - 4 Row Hot Water Coil  
2N - 2 Row Hot Water Coil No Pump  
3N - 3 Row Hot Water Coil No Pump  
4N - 4 Row Hat Water Coil No Pump

**TXV Code**

D - R410a 1.5 thru 2.5 tons  
Y - R410a 3 ton

**Options/OEM Manufacturer's Code**

B - Breaker

**Standard Features:**

Factory Installed TXV  
Factory Installed Time Delay Relay (TDR)  
Factory Installed Disconnect  
Front "Return Air" Application

**Optional Features:**

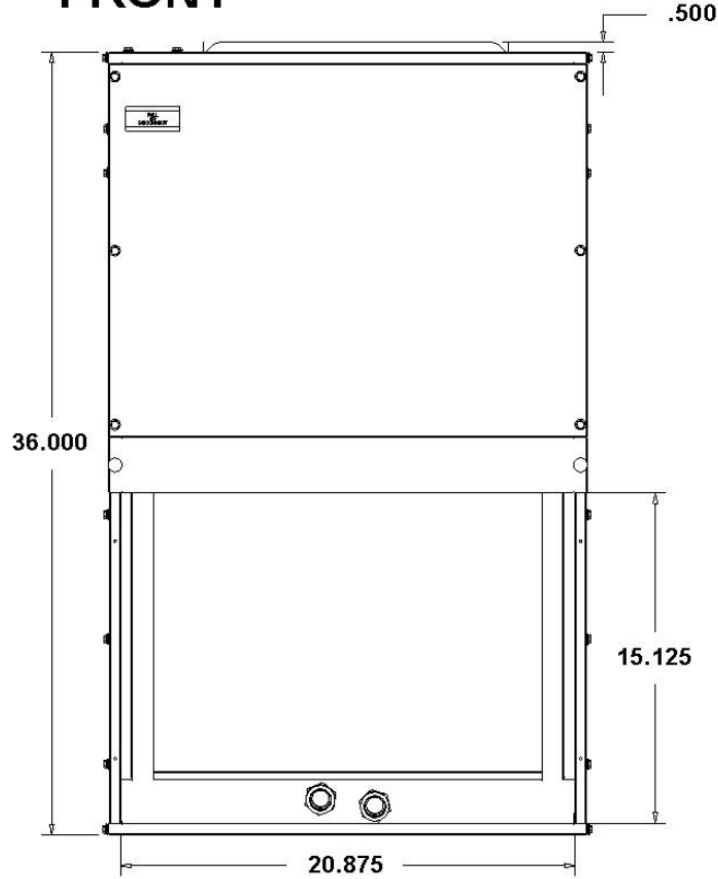
BR- Solid Front Panel (Bottom "Return Air" Application)



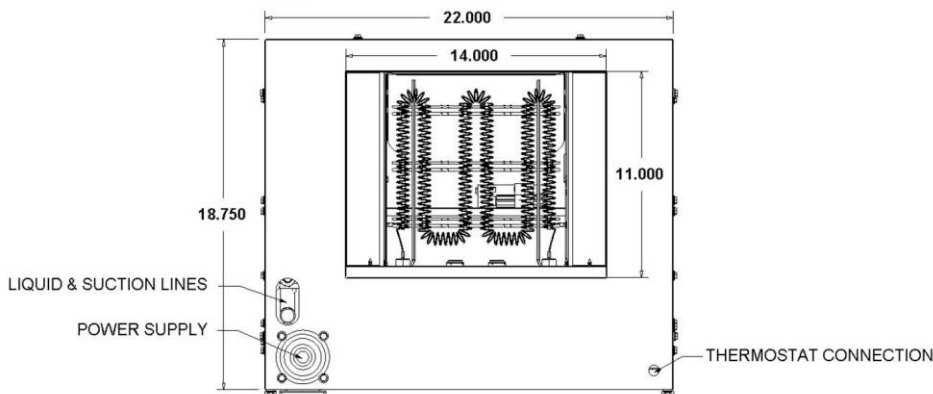
Mortex Products Inc.  
501 Terminal Road  
Fort Worth, TX 76106  
800-444-6354  
www.mortx.com

### Unit Dimensional Data AHW1

#### FRONT

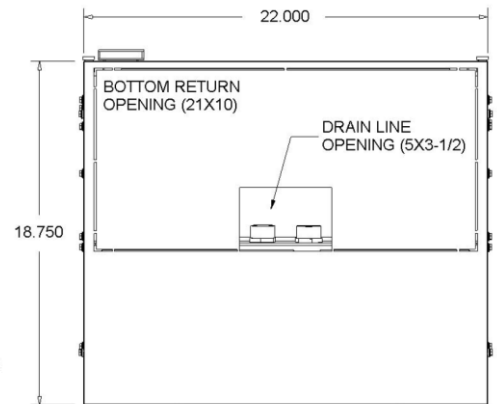


#### TOP



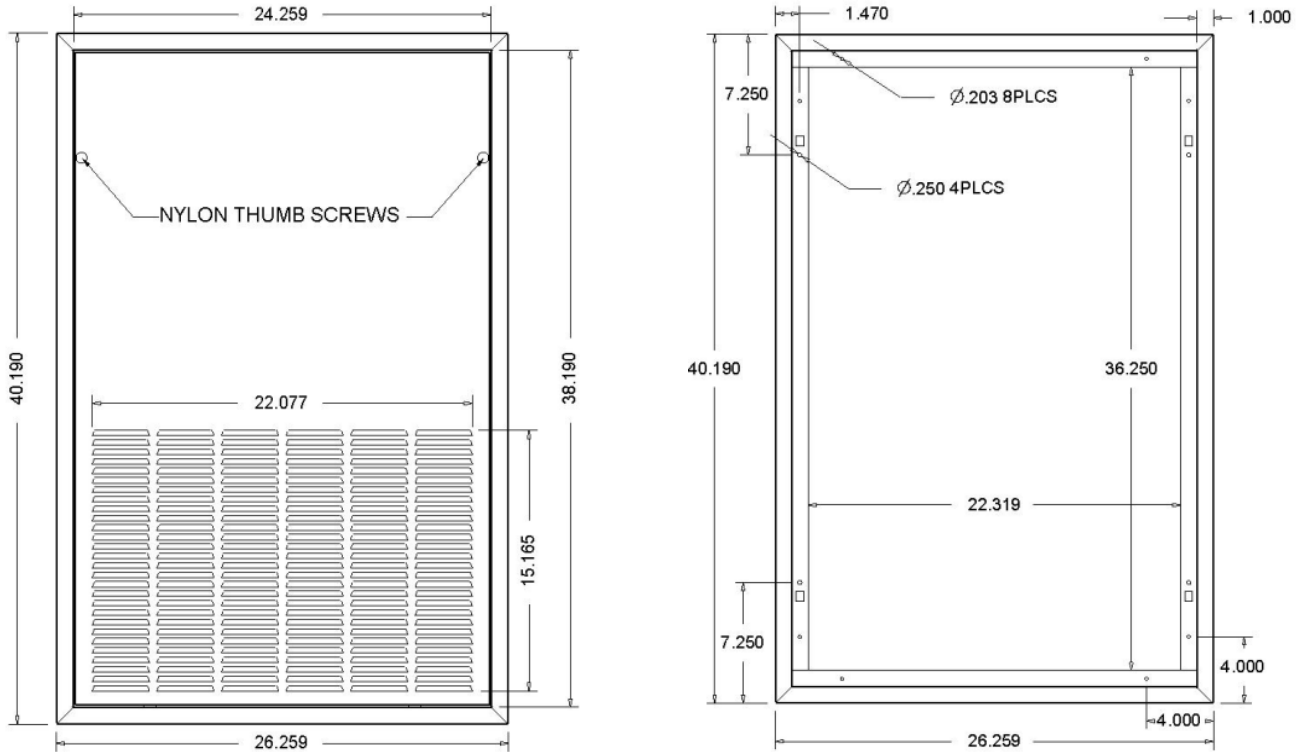
Piping Sizes	
Suction Line	3/4"
Liquid Line	3/8"

#### BOTTOM



Mortex Products Inc.  
 501 Terminal Road  
 Fort Worth, TX 76106  
 800-444-6354  
 www.mortx.com

**Wall Panel Door Dimensions  
AWPD**



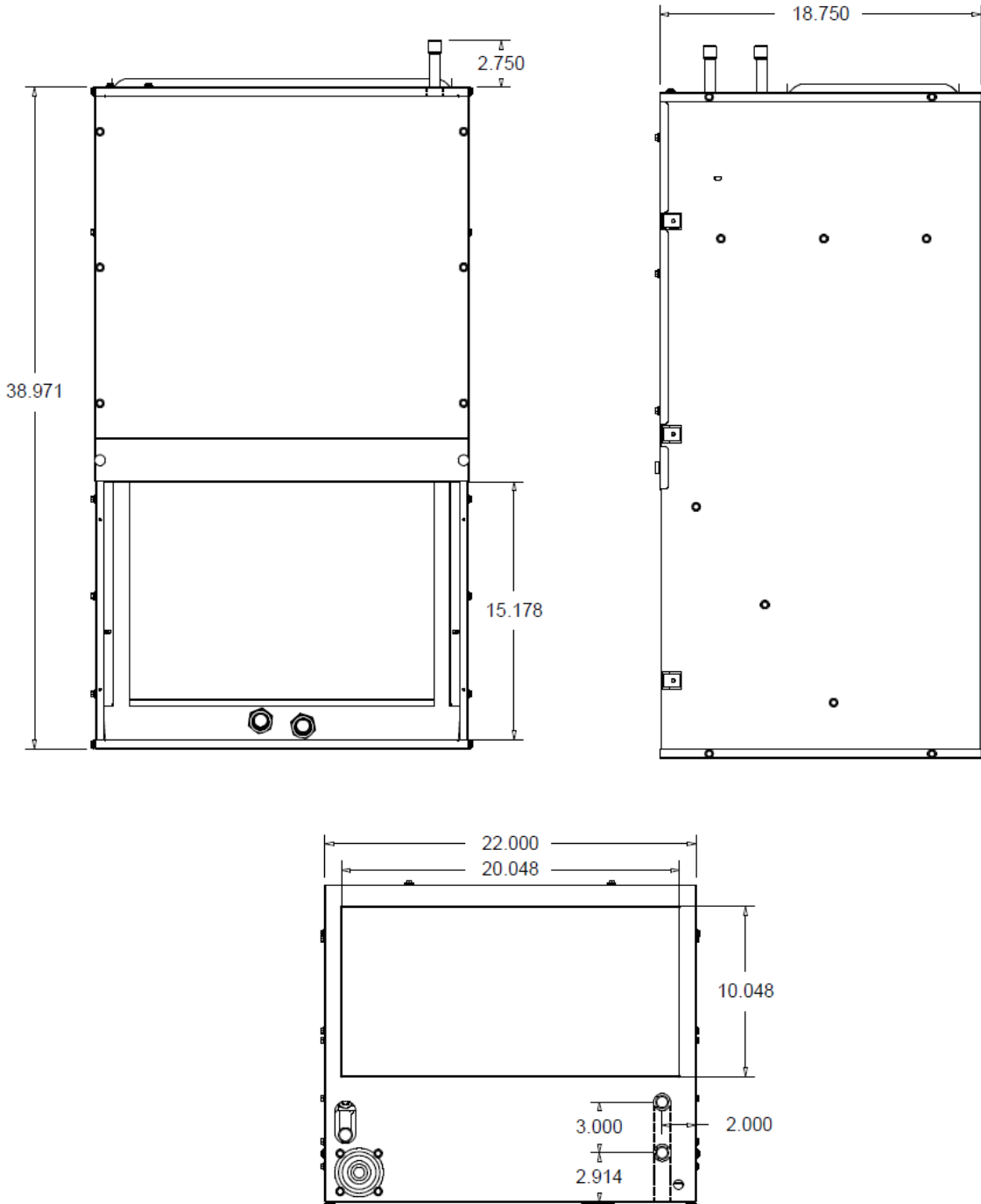
**Product Weights**

Unit Weights		
Operational	95 Lbs	
Shipping	105 Lbs	

Door Panel Weights		
Panel	12 Lbs	
Shipping	15 Lbs	

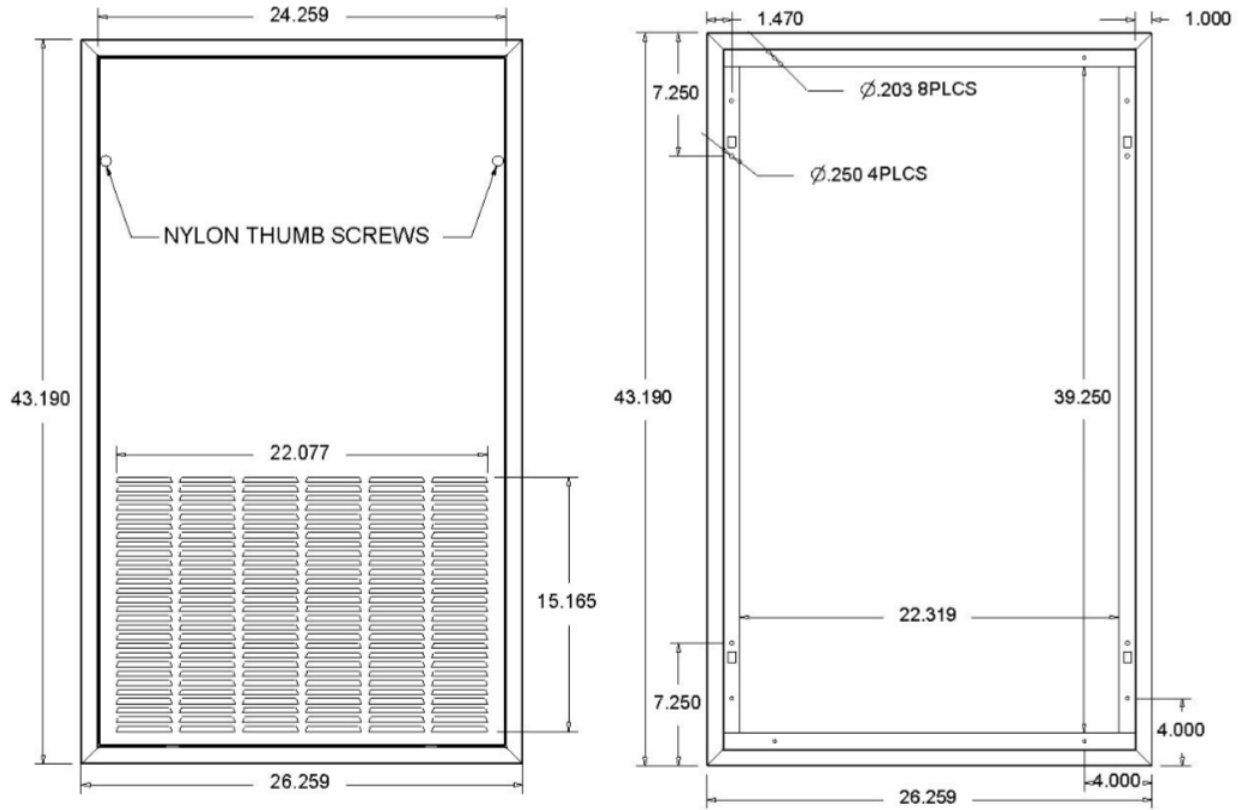
			<p><b>Mortex Products Inc.</b> 501 Terminal Road Fort Worth, TX 76106 800-444-6354 www.mortx.com</p>
--	--	--	--

Unit Dimensional Data AHW2 (Hot Water)



Mortex Products Inc.  
501 Terminal Road  
Fort Worth, TX 76106  
800-444-6354  
www.mortx.com

Wall Panel Door Dimensions  
AWPD2



Mortex Products Inc.  
501 Terminal Road  
Fort Worth, TX 76106  
800-444-6354  
www.mortx.com

## Airflow Data

AHW1 Series 240V									
Vertical "Wall/Closet" Mount Air Handler "Constant Torque" Motor - Fan Data									
Cabinet Size	Blower Housing	Motor HP	Evap. Coil FH x FL	Motor Tap	CFM @ External Static Pressure In-WC				
					0.10"	0.20"	0.30"	0.40"	0.50"
22" W x 18-3/4" D x 36" H	10 x 7T	1/3 (LM)	18.194 x 17.75	5	957	899	842	781	722
				4	898	839	778	765	717
				3	779	734	680	618	545
				2	713	663	600	523	484
				1	585	545	460	385	303
22" W x 18-3/4" D x 36" H	10 x 7T	1/3 (LG)	18.194 x 17.75	5	1248	1218	1213	1183	1129
				4	1079	1062	1045	1003	966
				3	1007	993	969	930	878
				2	878	851	811	757	706
				1	825	784	748	689	640
22" W x 18-3/4" D x 36" H	10 x 8T	1/2 (LI)	21.50 x 17.75	5	1396	1340	1288	1288	1206
				4	1340	1307	1288	1254	1177
				3	1250	1219	1204	1181	1112
				2	1086	1065	1034	978	930
				1	1025	1002	974	909	846

AHW2 Series 120V									
Vertical "Wall/Closet" Mount Air Handler "Constant Torque" Motor - Fan Data									
Cabinet Size	Blower Housing	Motor HP	Evap. Coil FH x FL	Motor Tap	CFM @ External Static Pressure in WC				
					0.10"	0.20"	0.30"	0.40"	0.50"
22" W x 18-3/4" D x 39" H	12 x 8T	1/2 (LL)	18.194 x 17.75	5	1224	1169	1111	1050	985
				4	1154	1098	1036	973	903
				3	1081	1015	951	886	812
				2	1026	956	887	812	729
				1	946	876	801	717	627

			<p>Mortex Products Inc.            501 Terminal Road            Fort Worth, TX 76106            800-444-6354            www.mortx.com</p>
---	---	--	---

## Electrical Data

ELECTRICAL DATA - ELECTRIC HEAT																			
Air Handler Model	Motor Data						Heater Load				Total Load (EH + Motor)				Short-Circuit Current Rating				
	Blower Code	Blower Assembly	Motor HP	Volts 1 Ph	Motor Type	Motor Amps 208V	Motor Amps 240V	KW 208V	KW 240V	KW Amps 208V	KW Amps 240V	Amps		MCA		MOCP		"SCCR"	
												Cr 1	Cr 1	Cr 1	Cr 1	Cr 1	Cr 1	kA rms symmetrical	V maximum
AHW1	LM	10 x 7T	1/3	208/240	Constant Torque	0.85	0.74	0.0	0.0	0.0	0.0	0.85	0.74	1.06	0.92	15	15	n/a	n/a
								2.3	3.0	10.8	12.5	11.7	13.2	14.6	16.5	15	20	n/a	n/a
								3.0	4.0	14.4	16.7	15.3	17.4	20.8	21.8	25	25	n/a	n/a
								3.8	5.0	18.0	20.8	18.9	21.6	23.6	27.0	25	30	n/a	n/a
								4.5	6.0	21.6	25.0	22.5	25.7	28.1	32.2	30	35	n/a	n/a
								5.3	7.0	25.2	29.2	26.1	29.9	32.6	37.4	35	40	n/a	n/a
								6.0	8.0	28.8	33.3	29.7	34.1	37.1	42.6	40	45	n/a	n/a
AHW1	LG	10 x 7T	1/3	208/240	Constant Torque	1.82	1.58	0.0	0.0	0.0	0.0	1.82	1.58	2.27	1.98	15	15	n/a	n/a
								2.3	3.0	10.8	12.5	12.6	14.1	15.8	17.6	20	20	n/a	n/a
								3.0	4.0	14.4	16.7	16.2	18.2	20.3	22.8	25	25	n/a	n/a
								3.8	5.0	18.0	20.8	19.8	22.4	24.8	28.0	25	30	n/a	n/a
								4.5	6.0	21.6	25.0	23.5	26.6	29.3	33.2	30	35	n/a	n/a
								5.3	7.0	25.2	29.2	27.1	30.7	33.8	38.4	35	40	n/a	n/a
								6.0	8.0	28.8	33.3	30.7	34.9	38.3	43.6	40	45	n/a	n/a
AHW1	LI	10 x 8T	1/2	208/240	Constant Torque	2.76	2.40	0.0	0.0	0.0	0.0	2.76	2.40	3.45	3.00	15	15	n/a	n/a
								2.3	3.0	10.8	12.5	13.6	14.9	17.0	18.6	20	20	n/a	n/a
								3.0	4.0	14.4	16.7	17.2	19.1	21.5	23.8	25	25	n/a	n/a
								3.8	5.0	18.0	20.8	20.8	23.2	26.0	29.0	30	30	n/a	n/a
								4.5	6.0	21.6	25.0	24.4	27.4	30.5	34.3	35	35	n/a	n/a
								5.3	7.0	25.2	29.2	28.0	31.6	35.0	39.5	35	40	n/a	n/a
								6.0	8.0	28.8	33.3	31.6	35.7	39.5	44.7	40	45	n/a	n/a
6.8	9.0	32.5	37.5	35.2	39.9	44.0	49.9	45	50	n/a	n/a								
7.5	10.0	36.1	41.7	38.8	44.1	48.5	55.1	50	60	n/a	n/a								

Air Handler Model	Blower Code	Blower Assembly	Motor HP	Motor Volts	Motor Type	Motor Amps Only	Pump Amps Only	Total Load With Pump	MCA	MOCP
AHW2	LK	10 x 8T	1/2	115	Constant Torque	1.91	0.52	2.43	3.04	15
AHW2	LL	12 x 8T	1/2	115	Constant Torque	2.70	0.52	3.22	4.03	15

			<p><b>Mortex Products Inc.</b>          501 Terminal Road          Fort Worth, TX 76106          800-444-6354          www.mortx.com</p>
--	--	--	--



### Performance Data - Hot Water Slab Coils

#### HEATING PERFORMANCE DATA:

HOT WATER WALL MOUNT MODEL NO.	HOT WATER CAPACITIES @ 70°F ENTERING AIR TEMPERATURE									CFM	GPM	PRESS. DROP WATER (FT-WTR)	PRESS. DROP AIR (IN-WC)
	100°F	110°F	120°F	130°F	140°F	150°F	160°F	170°F	180°F				
AHW2-18/24-2N LI 1/2HP, 10x8T, 20" FH x 10" FL, 2 Row, 4 Circuit, 10 FPI	9,071	12,188	15,342	18,528	21,741	24,979	28,238	31,516	34,809	840	2.0	0.68	0.208
	10,069	13,590	16,983	20,486	24,014	27,564	31,132	34,717	38,317		3.0*	1.39	
	10,660	14,291	17,951	21,637	25,344	29,071	32,815	36,573	40,344		4.0	2.32	
	11,055	14,811	18,593	22,397	26,221	30,063	33,920	37,790	41,671		5.0	3.45	
	11,338	15,183	19,051	22,940	26,846	30,768	34,704	38,652	42,610		6.0	4.76	
	8,826	11,857	14,923	18,018	21,141	24,286	27,451	30,634	33,831	785	2.0	0.68	0.185
	9,763	13,097	16,462	19,854	23,270	26,706	30,160	33,630	37,112		3.0*	1.39	
	10,315	13,827	17,365	20,926	24,509	28,110	31,726	35,356	38,998		4.0	2.32	
	10,682	14,310	17,961	21,633	25,324	29,101	32,752	36,485	40,229		5.0	3.45	
	10,945	14,654	18,386	22,136	25,903	29,684	33,478	37,283	41,098		6.0	4.76	
	8,309	11,158	14,037	16,943	19,873	22,822	25,790	28,773	31,769	680	2.0	0.68	0.146
	9,124	12,234	15,373	18,534	21,716	24,915	28,130	31,358	34,599		3.0*	1.39	
	9,598	12,861	16,146	19,452	22,776	26,116	29,468	32,833	36,208		4.0	2.32	
	9,911	13,272	16,654	20,054	23,469	26,898	30,339	33,791	37,252		5.0	3.45	
	10,135	13,565	17,014	20,480	23,959	27,451	30,953	34,465	37,985		6.0	4.76	
	7,801	10,471	13,168	15,888	18,630	21,389	24,163	26,950	29,750	590	2.0	0.68	0.116
	8,505	11,400	14,319	17,258	20,215	23,187	26,173	29,170	32,176		3.0*	1.39	
	8,910	11,935	14,979	18,041	21,118	24,208	27,310	30,422	33,542		4.0	2.32	
	9,176	12,283	15,409	18,550	21,704	24,869	28,045	31,230	34,422		5.0	3.45	
	9,365	12,503	15,713	18,909	22,113	25,334	28,562	31,797	35,039		6.0	4.76	
6,850	9,186	11,544	13,919	16,310	17,715	21,131	23,558	25,994	450	2.0	0.68	0.074	
7,370	9,873	12,392	14,927	17,474	20,033	22,602	25,179	27,763		3.0*	1.39		
7,664	10,259	12,869	15,497	18,124	20,767	23,418	26,076	28,741		4.0	2.32		
7,855	10,508	13,176	15,854	18,541	21,237	23,940	26,649	29,364		5.0	3.45		
7,989	10,684	13,390	16,107	18,833	21,565	24,304	27,048	29,798		6.0	4.76		
AHW2-18/24-3N LI 1/2HP, 10x8T, 20" FH x 10" FL, 3 Row, 5 Circuit, 10 FPI	11,453	15,387	19,368	23,388	27,433	31,528	35,639	39,773	43,925	840	2.0	0.55	0.311
	12,860	17,256	21,693	26,168	30,675	35,209	39,767	44,347	48,944		3.0*	1.14	
	13,693	18,356	23,057	27,791	32,554	37,341	42,151	46,979	51,823		4.0	1.89	
	14,244	19,083	23,955	28,857	33,785	38,736	43,705	48,692	53,694		5.0	2.81	
	14,637	19,600	24,593	29,612	34,656	39,720	44,801	49,898	55,009		6.0	3.89	
	11,139	14,963	18,830	22,735	26,674	30,640	34,631	38,643	42,674	785	2.0	0.55	0.278
	12,452	16,704	20,996	25,322	29,679	34,061	38,465	42,890	47,331		3.0*	1.14	
	13,222	17,721	22,255	26,821	31,413	36,028	40,663	45,315	49,983		4.0	1.89	
	13,729	18,389	23,081	27,800	32,543	37,307	42,089	46,886	51,698		5.0	2.81	
	14,090	18,865	23,666	28,493	33,341	38,209	43,092	47,990	52,900		6.0	3.89	
	10,469	14,058	17,684	21,343	25,032	28,747	32,482	36,237	40,008	680	2.0	0.55	0.219
	11,592	15,543	19,530	23,546	27,587	31,651	35,735	39,834	43,949		3.0*	1.14	
	12,240	16,398	20,586	24,801	29,038	33,295	37,568	41,857	46,159		4.0	1.89	
	12,662	16,954	21,273	25,614	29,976	34,354	38,749	43,156	47,575		5.0	2.81	
	12,961	17,347	21,756	26,185	30,633	35,096	39,573	44,062	48,562		6.0	3.89	
	9,804	13,159	16,547	19,964	23,407	26,872	30,355	33,855	37,369	590	2.0	0.55	0.173
	10,755	14,416	18,106	21,821	25,558	29,314	33,087	36,874	40,673		3.0*	1.14	
	11,295	15,127	18,984	22,863	26,762	30,676	34,605	38,546	42,498		4.0	1.89	
	11,644	15,587	19,550	23,533	27,532	31,546	35,573	39,611	43,658		5.0	2.81	
	11,890	15,908	19,946	24,000	28,070	32,152	36,246	40,350	44,462		6.0	3.89	
8,544	11,457	14,396	17,356	20,335	23,331	26,341	29,364	32,397	450	2.0	0.55	0.111	
9,215	12,342	15,489	18,654	21,836	25,031	28,237	31,455	34,680		3.0*	1.14		
9,585	12,828	16,088	19,364	22,653	25,953	29,263	32,582	35,909		4.0	1.89		
9,821	13,137	16,468	19,812	23,168	26,533	29,907	33,289	36,678		5.0	2.81		
9,985	13,351	16,731	20,122	23,523	26,934	30,351	33,776	37,206		6.0	3.89		

Note: "3\*" = Optional factory installed hot water circulating pump flow rate.



Mortex Products Inc.  
501 Terminal Road  
Fort Worth, TX 76106  
800-444-6354  
www.mortx.com

### Performance Data - Hot Water Slab Coils

#### HEATING PERFORMANCE DATA:

HOT WATER WALL MOUNT MODEL NO.	HOT WATER CAPACITIES @ 70°F ENTERING AIR TEMPERATURE ENTERING WATER TEMPERATURE										CFM	GPM	PRESS. DROP WATER (FT-WTR)	PRESS. DROP AIR (IN-WC)
	100°F	110°F	120°F	130°F	140°F	150°F	160°F	170°F	180°F					
AHW2-18/24-4N LI 1/2HP, 10x8T, 20" FH x 10" FL, 4 Row, 5 Circuit, 10 FPI	13,458	18,060	22,709	27,397	32,117	36,867	41,641	46,434	51,246	840	2.0	0.75	0.415	
	15,168	20,334	25,543	30,788	36,064	41,368	46,694	52,042	57,405					
	16,158	21,644	27,168	32,725	38,310	43,920	49,550	55,199	60,862					
	16,803	22,494	28,220	33,975	39,756	45,559	51,380	57,218	63,070					
	17,256	23,091	28,957	34,850	40,765	46,700	52,653	58,620	64,601					
	13,073	17,542	22,053	26,602	31,182	35,789	40,420	45,069	49,735	785	2.0	0.75	0.371	
	14,655	19,642	24,669	29,730	34,821	39,937	45,074	50,229	55,399					
	15,561	20,840	26,155	31,500	36,871	42,265	47,678	53,106	58,550					
	16,148	21,614	27,111	32,635	38,184	43,751	49,337	54,937	60,550					
	16,559	22,155	27,779	33,427	39,096	44,784	50,487	56,204	61,932					
	12,248	16,429	20,646	24,897	29,175	33,478	37,801	42,140	46,495	680	2.0	0.75	0.292	
	13,574	18,185	22,832	27,506	32,206	36,927	41,667	46,422	51,190					
	14,318	19,168	24,048	28,952	33,879	38,825	43,786	48,761	53,749					
	14,794	19,795	24,821	29,870	34,938	40,023	45,122	50,233	55,356					
	15,125	20,230	25,357	30,505	35,669	40,849	46,042	51,245	56,458					
	11,424	15,317	19,242	23,197	27,175	31,174	35,191	39,222	43,267	590	2.0	0.75	0.231	
	12,522	16,769	21,045	25,346	29,667	34,006	38,361	42,728	47,108					
	13,126	17,565	22,029	26,514	31,017	35,535	40,067	44,610	49,163					
	13,508	18,068	22,649	27,247	31,862	36,490	41,130	45,781	50,439					
	13,771	18,414	23,075	27,751	32,442	37,144	41,858	46,580	51,310					
9,855	13,203	16,574	19,966	23,376	26,801	30,239	33,689	37,147	450	2.0	0.75	0.147		
10,590	14,171	17,117	21,389	25,021	28,665	32,320	35,984	39,655						
10,980	14,683	18,403	22,136	25,882	29,638	33,402	37,175	40,954						
11,221	15,001	18,793	22,597	26,411	30,235	34,066	37,903	41,747						
11,386	15,216	19,058	22,909	26,770	30,639	34,514	38,395	42,281						
AHW2-30/36-2N LL 1/2HP, 12x8T, 20" FH x 10" FL, 2 Row, 4 Circuit, 10 FPI	10,072	13,544	17,061	20,617	24,209	27,830	31,477	35,146	38,836	1,110	2.0	0.68	0.329	
	11,344	15,233	19,164	23,132	27,132	31,160	35,212	39,284	43,376					
	12,119	16,257	20,433	24,643	28,882	33,146	37,433	41,738	46,060					
	12,641	16,947	21,287	25,657	30,053	34,472	38,912	43,369	47,841					
	13,020	17,446	21,903	26,387	30,895	35,424	39,971	44,535	49,112					
	9,805	13,181	16,601	20,258	23,548	27,067	30,609	34,173	37,757	1,030	2.0	0.68	0.291	
	11,000	14,767	18,575	22,416	26,288	30,186	34,106	38,047	42,004					
	11,722	15,722	19,758	23,824	27,918	32,036	36,173	40,329	44,501					
	12,207	16,364	20,550	24,765	29,005	33,266	37,545	41,841	46,150					
	12,559	16,825	21,121	25,441	29,783	34,146	38,525	42,919	47,326					
	9,514	12,788	16,102	19,452	22,833	26,240	29,670	33,121	36,588	950	2.0	0.68	0.255	
	10,629	14,266	17,940	21,646	25,381	29,140	32,900	36,718	40,532					
	11,297	15,150	19,034	22,948	26,887	30,848	34,828	38,824	42,835					
	11,745	15,741	19,765	23,815	27,887	31,979	36,089	40,214	44,351					
	12,068	16,165	20,289	24,435	28,602	32,787	36,987	41,202	45,428					
	9,218	12,387	15,594	18,834	22,103	25,397	28,713	32,048	35,399	875	2.0	0.68	0.222	
	10,254	13,759	17,299	20,869	24,466	28,084	31,722	35,378	39,049					
	10,870	14,574	18,308	22,069	25,852	29,656	33,478	37,314	41,165					
	11,282	15,117	18,978	22,863	26,769	30,693	34,633	38,586	42,552					
	11,578	15,505	19,458	23,431	27,423	31,431	35,454	39,489	43,536					
8,872	11,919	15,001	18,114	21,253	24,416	27,598	30,799	34,014	795	2.0	0.68	0.189		
9,820	13,174	16,559	19,972	23,408	26,866	30,341	33,832	37,336						
10,379	13,913	17,474	21,058	24,664	28,288	31,929	35,582	39,248						
10,751	14,403	18,078	21,775	25,491	29,223	32,969	36,727	40,497						
11,018	14,752	18,510	22,285	26,078	29,885	33,706	37,537	41,379						

Note: "3\*" = Optional factory installed hot water circulating pump flow rate.



Mortex Products Inc.  
501 Terminal Road  
Fort Worth, TX 76106  
800-444-6354  
www.mortx.com

### Performance Data - Hot Water Slab Coils

#### HEATING PERFORMANCE DATA:

HOT WATER WALL MOUNT MODEL NO.	HOT WATER CAPACITIES @ 70°F ENTERING AIR TEMPERATURE ENTERING WATER TEMPERATURE									CFM	GPM	PRESS. DROP WATER (FT-WTR)	PRESS. DROP AIR (IN-WC)
	100°F	110°F	120°F	130°F	140°F	150°F	160°F	170°F	180°F				
AHW2-30/36-3N LL 1/2HP, 12x8T, 20" FH x 10" FL, 3 Row, 5 Circuit, 10 FPI	12,718	17,099	21,537	26,024	30,552	35,118	39,714	44,339	48,986	1,110	2.0	0.55	0.494
	14,552	19,541	24,585	29,675	34,808	39,975	45,174	50,398	55,647		3.0*	1.14	
	15,672	21,026	26,429	31,876	37,362	42,880	48,428	53,999	59,592		4.0	1.89	
	16,429	22,025	27,668	33,351	39,068	44,816	50,590	56,388	62,204		5.0	2.81	
	16,977	22,747	28,560	34,409	40,291	46,201	52,136	58,090	64,064		6.0	3.89	
	12,383	16,647	20,963	25,326	29,729	34,167	38,635	43,129	47,646	1,030	2.0	0.55	0.437
	14,097	18,927	23,807	28,732	33,696	38,693	43,719	48,770	53,843		3.0*	1.14	
	15,136	20,301	25,514	30,768	36,057	41,377	46,723	52,093	57,482		4.0	1.89	
	15,834	21,223	26,655	32,124	37,626	43,156	48,710	54,285	59,878		5.0	2.81	
	16,336	21,886	27,473	33,095	38,747	44,424	50,123	55,843	61,578		6.0	3.89	
	12,017	16,151	20,335	24,563	28,829	33,128	37,456	41,808	46,181	950	2.0	0.55	0.382
	13,607	18,263	22,968	27,714	32,495	37,309	42,148	47,012	51,894		3.0*	1.14	
	14,560	19,525	24,533	29,579	34,657	39,764	44,896	50,048	55,219		4.0	1.89	
	15,198	20,365	25,573	30,815	36,086	41,383	46,702	52,041	57,397		5.0	2.81	
	15,654	20,967	26,316	31,696	37,103	42,533	47,984	53,452	58,936		6.0	3.89	
	11,641	15,642	19,690	23,779	27,905	32,061	36,244	40,450	44,677	875	2.0	0.55	0.333
	13,108	17,589	22,116	26,680	31,278	35,904	40,555	45,229	49,920		3.0*	1.14	
	13,979	18,741	23,544	28,381	33,248	38,140	43,056	47,991	52,943		4.0	1.89	
	14,558	19,505	24,487	29,501	34,542	39,607	44,691	49,794	54,911		5.0	2.81	
	14,971	20,050	25,159	30,297	35,459	40,644	45,846	51,065	56,298		6.0	3.89	
11,198	15,043	18,931	22,858	26,817	30,807	34,820	38,855	42,909	795	2.0	0.55	0.284	
12,528	16,807	21,126	25,480	29,864	34,275	38,709	43,162	47,631		3.0*	1.14		
13,310	17,839	22,404	27,001	31,625	36,272	40,940	45,624	50,325		4.0	1.89		
13,825	18,518	23,244	27,997	32,774	37,573	42,389	47,222	52,068		5.0	2.81		
14,191	19,001	23,838	28,701	33,586	38,489	43,410	48,344	53,291		6.0	3.89		
AHW2-30/36-4N LL 1/2HP, 12x8T, 20" FH x 10" FL, 4 Row, 5 Circuit, 10 FPI	14,991	20,131	23,187	29,145	35,151	41,198	47,280	53,393	59,530	1,110	2.0	0.75	0.659
	17,283	23,187	29,145	35,151	41,198	47,280	53,393	59,530	65,688		3.0*	1.54	
	18,644	25,018	31,425	37,877	44,366	50,888	57,439	64,013	70,608		4.0	2.56	
	19,586	26,238	32,938	39,679	46,455	53,262	60,095	66,950	73,825		5.0	3.80	
	20,245	27,108	34,015	40,960	47,937	54,942	61,972	69,022	76,090		6.0	5.24	
	14,588	19,588	24,639	29,736	34,870	40,039	45,235	50,455	55,693	1,030	2.0	0.75	0.582
	16,717	22,423	28,181	33,983	39,823	45,696	51,598	57,522	63,468		3.0*	1.54	
	17,986	24,105	30,272	36,481	42,725	48,999	55,299	61,622	67,965		4.0	2.56	
	18,827	25,217	31,651	38,122	44,626	51,158	57,714	64,291	70,885		5.0	3.80	
	19,426	26,007	32,628	39,283	45,969	52,680	59,413	66,165	72,933		6.0	5.24	
	14,145	18,989	23,883	28,818	33,792	38,796	43,826	48,880	53,950	950	2.0	0.75	0.509
	16,103	21,595	27,135	32,716	38,333	43,979	49,652	55,348	61,062		3.0*	1.54	
	17,257	23,123	29,033	34,981	40,962	46,971	53,003	59,056	65,127		4.0	2.56	
	18,016	24,126	30,275	36,459	42,673	48,912	55,173	61,452	67,748		5.0	3.80	
	18,554	24,835	31,152	37,500	43,875	50,274	56,693	63,129	69,579		6.0	5.24	
	13,688	18,371	23,101	27,871	32,676	37,511	42,371	47,251	52,149	875	2.0	0.75	0.444
	15,479	20,753	26,071	31,427	36,816	42,234	47,675	53,137	58,615		3.0*	1.54	
	16,521	22,132	27,783	33,469	39,185	44,926	50,689	56,471	62,268		4.0	2.56	
	17,202	23,031	28,896	34,792	40,715	46,661	52,627	58,610	64,607		5.0	3.80	
	17,683	23,664	29,678	35,719	41,786	47,873	53,979	60,100	66,234		6.0	5.24	
13,145	17,640	22,176	26,751	31,357	35,991	40,649	45,325	50,018	795	2.0	0.75	0.379	
14,751	19,771	24,833	29,928	35,053	40,204	45,376	50,567	55,774		3.0*	1.54		
15,672	20,990	26,343	31,728	37,139	42,572	48,026	53,496	58,980		4.0	2.56		
16,270	21,778	27,317	32,884	38,475	44,087	49,716	55,361	61,018		5.0	3.80		
16,689	22,329	27,997	33,691	39,406	45,140	50,889	56,652	62,427		6.0	5.24		

Note: "3\*" = Optional factory installed hot water circulating pump flow rate.



Mortex Products Inc.  
501 Terminal Road  
Fort Worth, TX 76106  
800-444-6354  
www.mortx.com



Mortex Products Inc.  
501 Terminal Road  
Fort Worth, TX 76106  
800-444-6354  
[www.mortx.com](http://www.mortx.com)